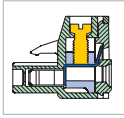


# MC100 Connector, Pluggable Terminal Blocks



MC

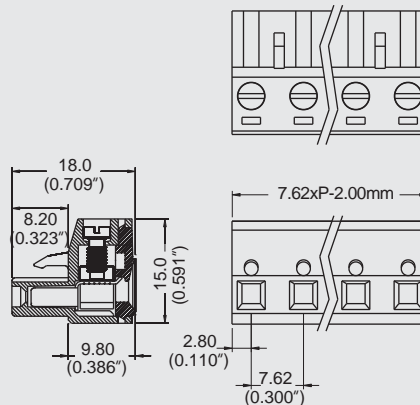
## DIMENSIONS/POSITIONS

## MC100-762

間距	Pitch	7.62mm
位數	Poles	2 ~ 16Poles
塑膠本體	Housing Material	PA 66
壓線圈	Cage Clamp	Brass, Ni Plated
導電夾片	Contact	Phosphor Bronze, Tin Plated
螺紋	Screw Thread	M3.0, Steel, Zinc Plated
電線線徑	Wire Size	12 ~ 24AWG
剝線長度	Wire Strip Length	7mm
最大緊固扭矩	Tightening Torque, Max.	4.5 Lb-in
環境作業溫度	Operating Temperature	-40°C to +105°C

## TECHNICAL DATA

連接符合標準 Connection in acc. with standard EN-VDE		
額定電流 I <sub>n</sub>	Nominal Current I <sub>n</sub>	16A
額定橫截面	Nominal Cross Section	2.5mm <sup>2</sup>
最大負載電流	Maximum load current	16A
絕緣材料	Insulating Material	PA
阻燃等級,符合UL94 Inflammability class acc. to UL94		V0
額定電壓,UL/CUL Nominal voltage, UL/CUL		300V
額定電流,UL/CUL Nominal current, UL/CUL		15A



Note:  
Screw Plating: Changes are available upon request  
Cage Clamp: MC 100 # : Steel