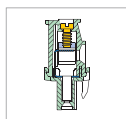


# MC201 Pluggable PCB Connector, Plug with Flanges

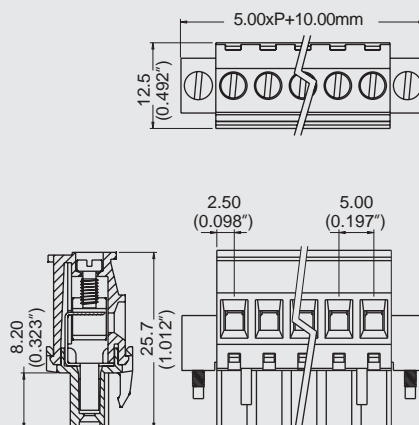


## DIMENSIONS/POSITIONS

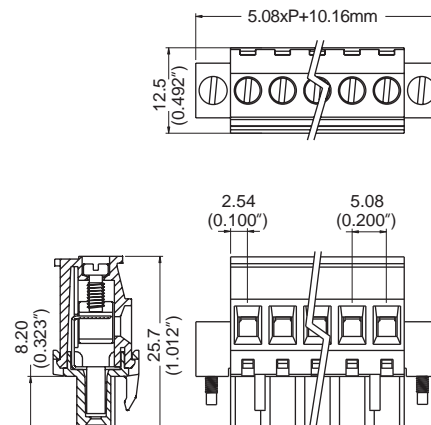
DIMENSIONS/POSITIONS		MC201-E1	MC201-F1
間距	Pitch	5.00mm	5.08mm
位數	Poles	2 ~ 22Poles	2 ~ 22Poles
塑膠本體	Housing Material	PA 66	PA 66
壓線圈	Cage Clamp	Brass, Tin Plated	Brass, Tin Plated
導電夾片	Contact	Phosphor Bronze, Tin Plated	Phosphor Bronze, Tin Plated
螺紋	Screw Thread	M2.6, Steel, Ni Plated	M2.6, Steel, Ni Plated
電線線徑	Wire Size	12 ~ 24AWG	12 ~ 24AWG
剝線長度	Wire Strip Length	7mm	7mm
最大緊固扭矩	Tightening Torque, Max.	7.0 Lb-in	7.0 Lb-in
環境作業溫度	Operating Temperature	-40°C to +105°C	-40°C to +105°C

## TECHNICAL DATA

連接符合標準 Connection in acc. with standard EN-VDE			
額定電流 I <sub>n</sub>	Nominal Current I <sub>n</sub>	16A	16A
額定橫截面	Nominal Cross Section	2.5mm <sup>2</sup>	2.5mm <sup>2</sup>
最大負載電流	Maximum load current	16A	16A
絕緣材料	Insulating Material	PA	PA
阻燃等級,符合UL94 Inflammability class acc. to UL94		V0	V0
額定電壓,UL/CUL Nominal voltage, UL/CUL		300V	300V
額定電流,UL/CUL Nominal current, UL/CUL		16A	16A



Note:  
Screw Plating: Changes are available upon request



Note:  
Screw Plating: Changes are available upon request