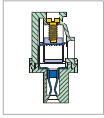


MC560 Pluggable PCB Connector, Plug

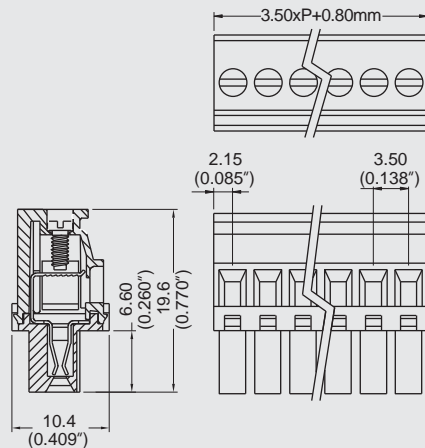


DIMENSIONS/POSITIONS

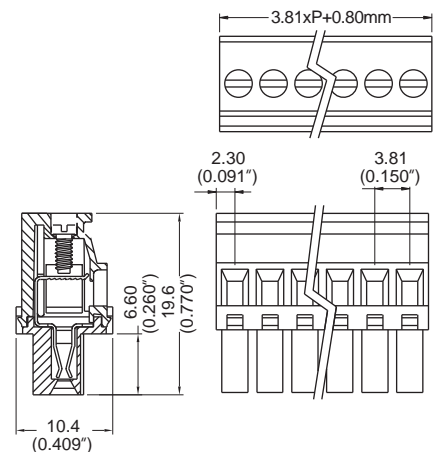
DIMENSIONS/POSITIONS		MC560-350	MC560-381
間距	Pitch	3.50mm	3.81mm
位數	Poles	2 ~ 24Poles	2 ~ 20Poles
塑膠本體	Housing Material	PA 66	PA 66
壓線圈	Cage Clamp	Brass, Ni Plated	Brass, Ni Plated
導電夾片	Contact	Phosphor Bronze, Tin Plated	Phosphor Bronze, Tin Plated
螺紋	Screw Thread	M2.0, Steel, Ni Plated	M2.0, Steel, Ni Plated
電線線徑	Wire Size	16 ~ 24AWG	16 ~ 24AWG
剝線長度	Wire Strip Length	5mm ~ 6mm	5mm ~ 6mm
最大緊固扭矩	Tightening Torque, Max.	3.0 Lb-in	3.0 Lb-in
環境作業溫度	Operating Temperature	-40°C to +105°C	-40°C to +105°C

TECHNICAL DATA

連接符合標準 Connection in acc. with standard EN-VDE			
額定電流 I _n	Nominal Current I _n	8A	8A
額定橫截面	Nominal Cross Section	1.5mm ²	1.5mm ²
最大負載電流	Maximum load current	8A	8A
絕緣材料	Insulating Material	PA	PA
阻燃等級,符合UL94 Inflammability class acc. to UL94		V0	V0
額定電壓,UL/CUL Nominal voltage, UL/CUL		300V	300V
額定電流,UL/CUL Nominal current, UL/CUL		8A	10A



Note:
Screw Plating: Changes are available upon request



Note:
Screw Plating: Changes are available upon request