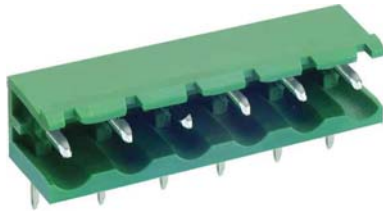
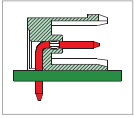


ME010 PCB Connector, Header



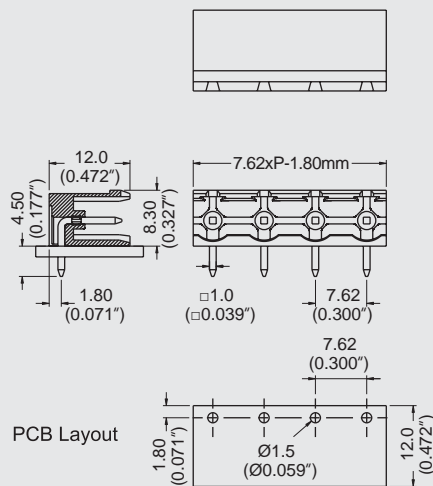
DIMENSIONS/POSITIONS

ME010-762

間距	Pitch	7.62mm
位數	Poles	2 ~ 16Poles
塑膠本體	Housing Material	PA 66
焊針	Pin Dimensions	Brass, Tin Plated
PCB孔徑	PCB Hole Diameter	1.5mm
環境作業溫度	Operating Temperature	-40°C to +105°C

TECHNICAL DATA

連接符合標準 Connection in acc. with standard EN-VDE		
額定電流 I _n	Nominal Current I _n	16A
額定橫截面	Nominal Cross Section	-
最大負載電流	Maximum load current	16A
絕緣材料	Insulating Material	PA
阻燃等級,符合UL94 Inflammability class acc. to UL94		V0
額定電壓,UL/CUL Nominal voltage, UL/CUL		300V
額定電流,UL/CUL Nominal current, UL/CUL		15A



ME