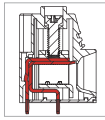


MH131 PCB Terminal Block, High Power- Modular



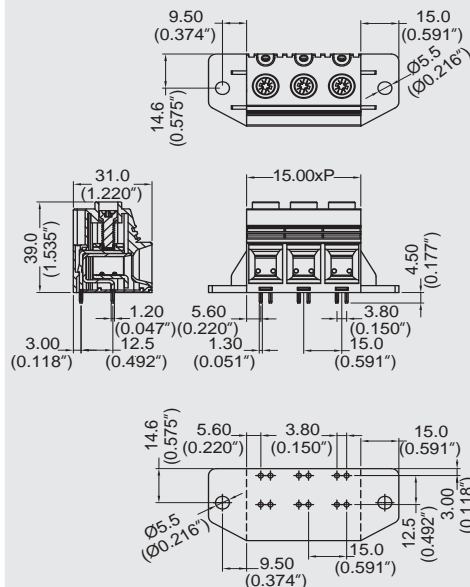
DIMENSIONS/POSITIONS

MH131-150

間距	Pitch	15.00mm
位數	Poles	2 ~ 8Poles
塑膠本體	Housing Material	PA 66
壓線圈	Cage Clamp	Steel, Zinc Plated
端子	Contact	Copper, Tin Plated
螺紋	Screw Thread	M5.0, Steel, Trivalent Chrome Plated
電線線徑	Wire Size	1 ~ 20AWG
剝線長度	Wire Strip Length	18mm
PCB孔徑	PCB Hole Diameter	2.0mm
最大緊固扭矩	Tightening Torque, Max.	30 Lb-in
環境作業溫度	Operating Temperature	-40°C to +105°C

TECHNICAL DATA

連接符合標準 Connection in acc. with standard EN-VDE		
額定電流 I _n	Nominal Current I _n	125A
額定橫截面	Nominal Cross Section	-
最大負載電流	Maximum load current	125A
絕緣材料	Insulating Material	PA
阻燃等級,符合UL94 Inflammability class acc. to UL94		V0
額定電壓,UL/CUL Nominal voltage, UL/CUL		600V
額定電流,UL/CUL Nominal current, UL/CUL		125A



MH