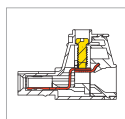


# MPC100H PCB Connector



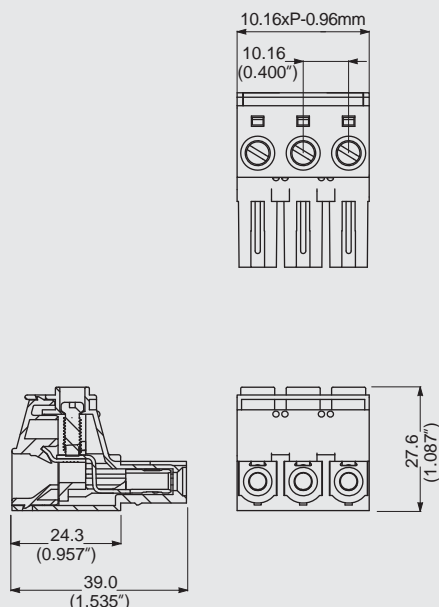
## DIMENSIONS/POSITIONS

## MPC100H-016

間距	Pitch	10.16mm
位數	Poles	2 ~ 8Poles
塑膠本體	Housing Material	PA 66
壓線圈	Cage Clamp	Brass, Ni Plated
夾片	Contact	Copper, Tin Plated
彈片	Wire Protector	Stainless Strip Steel
螺紋	Screw Thread	Steel, Zinc Plated
電線線徑	Wire Size	8 ~ 20AWG
剝線長度	Wire Strip Length	12mm
最大緊固扭矩	Tightening Torque, Max.	13.3 Lb-in
環境作業溫度	Operating Temperature	-40°C to +105°C

## TECHNICAL DATA

連接符合標準 Connection in acc. with standard EN-VDE		
額定電流 $I_n$	Nominal Current $I_n$	50A
額定橫截面	Nominal Cross Section	10mm <sup>2</sup>
最大負載電流	Maximum load current	50A
絕緣材料	Insulating Material	PA
阻燃等級,符合UL94 Inflammability class acc. to UL94		V0
額定電壓,UL/CUL Nominal voltage, UL/CUL		600V
額定電流,UL/CUL Nominal current, UL/CUL		50A



MPC