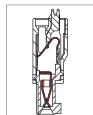


MPC310 PCB Connector



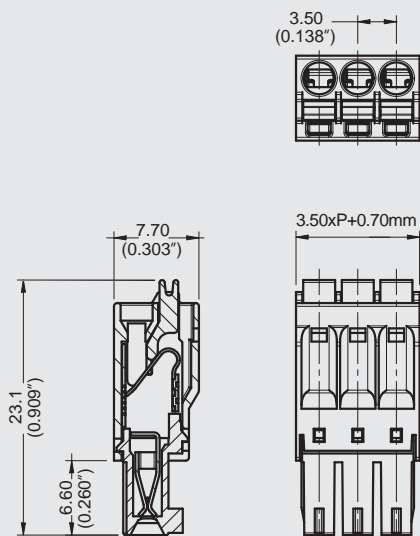
DIMENSIONS/POSITIONS

MPC310-350

間距	Pitch	3.50mm
位數	Poles	2 ~ 16Poles
塑膠本體	Housing Material	PA 66
夾片	Contact	Phosphor Bronze, Tin Plated
彈片	Wire Protector	Stainless Strip Steel
電線線徑	Wire Size	16 ~ 24AWG
剝線長度	Wire Strip Length	10mm
環境作業溫度	Operating Temperature	-40°C to +105°C

TECHNICAL DATA

連接符合標準 Connection in acc. with standard EN-VDE		
額定電流 I_n	Nominal Current I_n	8A
額定橫截面	Nominal Cross Section	-
最大負載電流	Maximum load current	8A
絕緣材料	Insulating Material	PA
阻燃等級,符合UL94 Inflammability class acc. to UL94		V0
額定電壓,UL/CUL Nominal voltage, UL/CUL		150V
額定電流,UL/CUL Nominal current, UL/CUL		8A



MPC