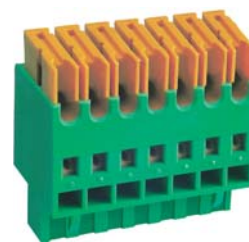
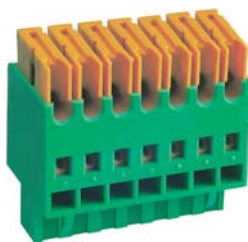
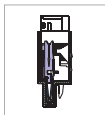


MT420 PCB Connector

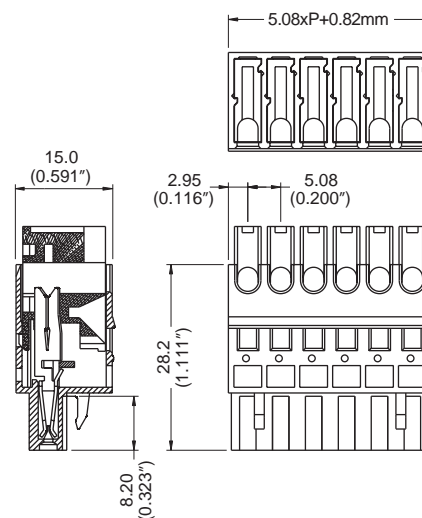
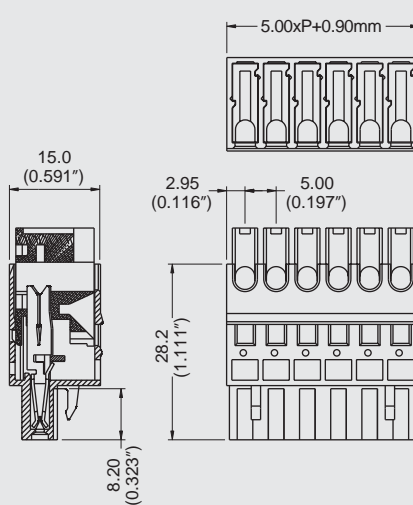


DIMENSIONS/POSITIONS

DIMENSIONS/POSITIONS		MT420-500	MT420-508
間距	Pitch	5.00mm	5.08mm
位數	Poles	2 ~ 18Poles	2 ~ 18Poles
塑膠本體	Housing Material	PA 66	PA 66
夾片	Contact	Phosphor Bronze, Tin Plated	Phosphor Bronze, Tin Plated
電線線徑	Wire Size	18 ~ 20AWG	18 ~ 20AWG
環境作業溫度	Operating Temperature	-40°C to +105°C	-40°C to +105°C

TECHNICAL DATA

連接符合標準 Connection in acc. with standard EN-VDE			
額定電流 I _n	Nominal Current I _n	10A	10A
額定橫截面	Nominal Cross Section	-	-
最大負載電流	Maximum load current	10A	10A
絕緣材料	Insulating Material	PA	PA
阻燃等級,符合UL94 Inflammability class acc. to UL94		V0	V0
額定電壓,UL/CUL Nominal voltage, UL/CUL		300V	300V
額定電流,UL/CUL Nominal current, UL/CUL		10A	10A



MT