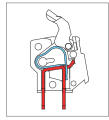


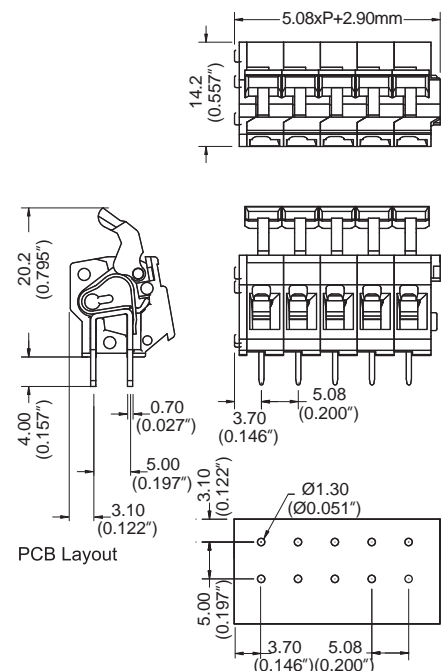
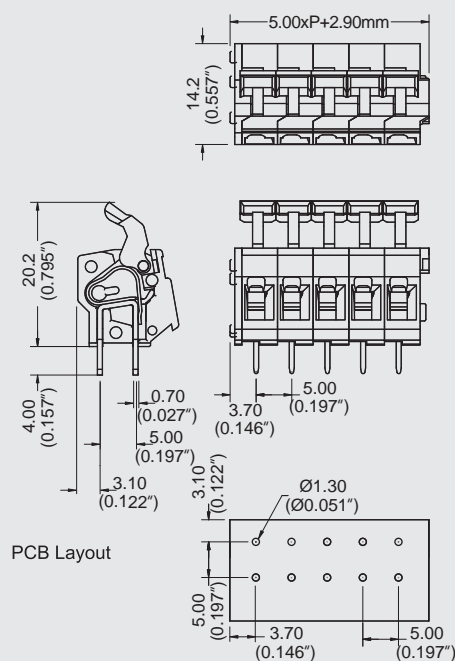
# MWX302 PCB Spring Type Terminal Block



DIMENSIONS/POSITIONS		MWX302-500	MWX302-508
間距	Pitch	5.00mm	5.08mm
位數	Poles	2 ~ 24Poles	2 ~ 24Poles
塑膠本體	Housing Material	PA 66	PA 66
端蓋	Cover	PA 66	PA 66
端子	Contact	Brass, Tin Plated	Brass, Tin Plated
彈片	Spring	Stainless Strip Steel	Stainless Strip Steel
電線線徑	Wire Size	12 ~ 28AWG	12 ~ 28AWG
剝線長度	Wire Strip Length	5mm ~ 6mm	5mm ~ 6mm
PCB孔徑	PCB Hole Diameter	1.3mm	1.3mm
環境作業溫度	Operating Temperature	-40°C to +105°C	-40°C to +105°C

## TECHNICAL DATA

連接符合標準	Connection in acc. with standard EN-VDE	
額定電流 I <sub>n</sub>	Nominal Current I <sub>n</sub>	20A
額定橫截面	Nominal Cross Section	4.0mm <sup>2</sup>
最大負載電流	Maximum load current	20A
絕緣材料	Insulating Material	PA
阻燃等級,符合UL94	Inflammability class acc. to UL94	
額定電壓,UL/CUL	Nominal voltage, UL/CUL	
額定電流,UL/CUL	Nominal current, UL/CUL	



MWX