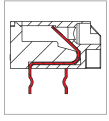


MWX601 PCB Spring Type Terminal Block



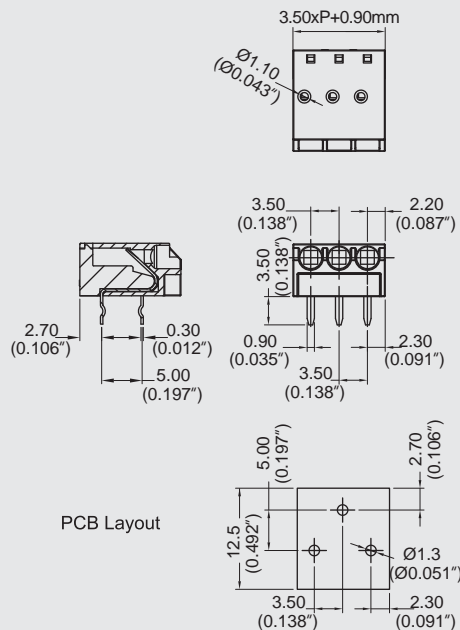
DIMENSIONS/POSITIONS

MWX601-350

間距	Pitch	3.50mm
位數	Poles	2 ~ 24Poles
塑膠本體	Housing Material	PA 66
端蓋	Cover	PA 66
端子	Contact	Phosphor Bronze, Tin Plated
彈片	Spring	Stainless Strip Steel
電線線徑	Wire Size	16 ~ 20AWG
剝線長度	Wire Strip Length	8mm ~ 9mm
PCB孔徑	PCB Hole Diameter	1.3mm
環境作業溫度	Operating Temperature	-40°C to +105°C

TECHNICAL DATA

連接符合標準 Connection in acc. with standard EN-VDE		
額定電流 I _n Nominal Current I _n		2A
額定橫截面 Nominal Cross Section		1.5mm ²
最大負載電流 Maximum load current		2A
絕緣材料 Insulating Material		PA
阻燃等級,符合UL94 Inflammability class acc. to UL94		V0
額定電壓,UL/CUL Nominal voltage, UL/CUL		300V
額定電流,UL/CUL Nominal current, UL/CUL		6A



MWX