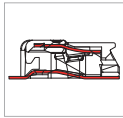


# MWX901 SMD Terminal Blocks

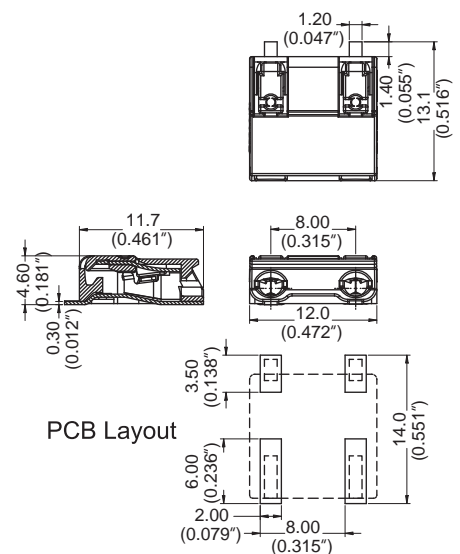
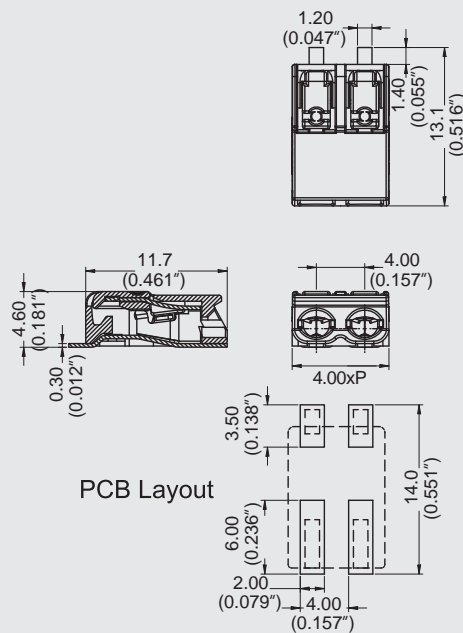


## DIMENSIONS/POSITIONS

DIMENSIONS/POSITIONS		MWX901-400	MWX901-800
間距	Pitch	4.00mm	8.00mm
位數	Poles	1 ~ 3Poles	2Poles
塑膠本體	Housing Material	PPA-GF	PPA-GF
端子	Contact	Copper alloy, Tin Plated	Copper alloy, Tin Plated
電線線徑	Wire Size	18 ~ 24AWG	18 ~ 24AWG
剝線長度	Wire Strip Length	8mm ~ 9mm	8mm ~ 9mm
裸線長度	Stripping length	8 ~ 9mm	8 ~ 9mm
環境作業溫度	Operating Temperature	-60°C to +105°C	-60°C to +105°C

## TECHNICAL DATA

連接符合標準 Connection in acc. with standard EN-VDE			
額定電流 I <sub>n</sub>	Nominal Current I <sub>n</sub>	9A	9A
額定橫截面	Nominal Cross Section	-	-
最大負載電流	Maximum load current	9A	9A
絕緣材料	Insulating Material	PPA-GF	PPA-GF
阻燃等級,符合UL94 Inflammability class acc. to UL94		V0	V0
額定電壓,UL/CUL Nominal voltage, UL/CUL		250V	600V
額定電流,UL/CUL Nominal current, UL/CUL		9A	9A



MWX