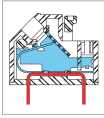


MX832 PCB Spring Type Terminal Block

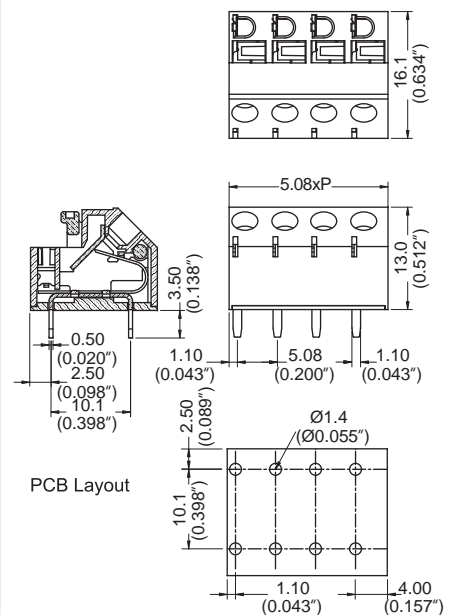
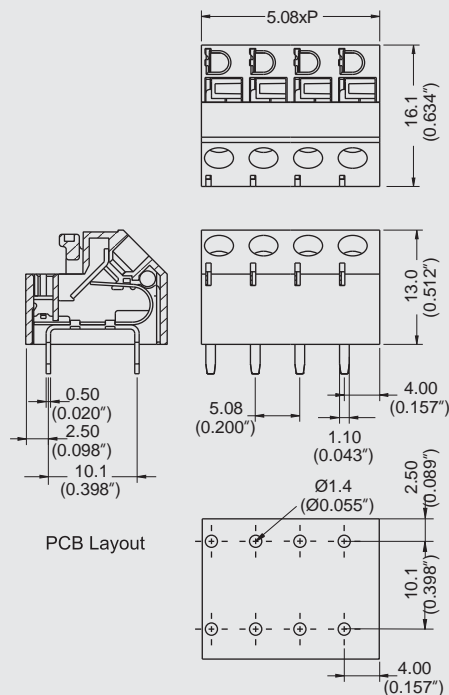


DIMENSIONS/POSITIONS

DIMENSIONS/POSITIONS		MX832-508	MX832-508..V
間距	Pitch	5.08mm	5.08mm
位數	Poles	2 ~ 24Poles	2 ~ 24Poles
塑膠本體	Housing Material	PA 66	PA 66
端子	Contact	Brass, Tin Plated	Brass, Tin Plated
彈片	Spring	Stainless Strip Steel	Stainless Strip Steel
電線線徑	Wire Size	14 ~ 20AWG	14 ~ 20AWG
剝線長度	Wire Strip Length	7mm ~ 8mm	7mm ~ 8mm
PCB孔徑	PCB Hole Diameter	1.4mm	1.4mm
環境作業溫度	Operating Temperature	-40°C to +105°C	-40°C to +105°C

TECHNICAL DATA

連接符合標準 Connection in acc. with standard EN-VDE			
額定電流 I _n	Nominal Current I _n	12A	12A
額定橫截面	Nominal Cross Section	-	-
最大負載電流	Maximum load current	12A	12A
絕緣材料	Insulating Material	PA	PA
阻燃等級,符合UL94 Inflammability class acc. to UL94		V0	V0
額定電壓,UL/CUL Nominal voltage, UL/CUL		300V	300V
額定電流,UL/CUL Nominal current, UL/CUL		12A	12A



MX