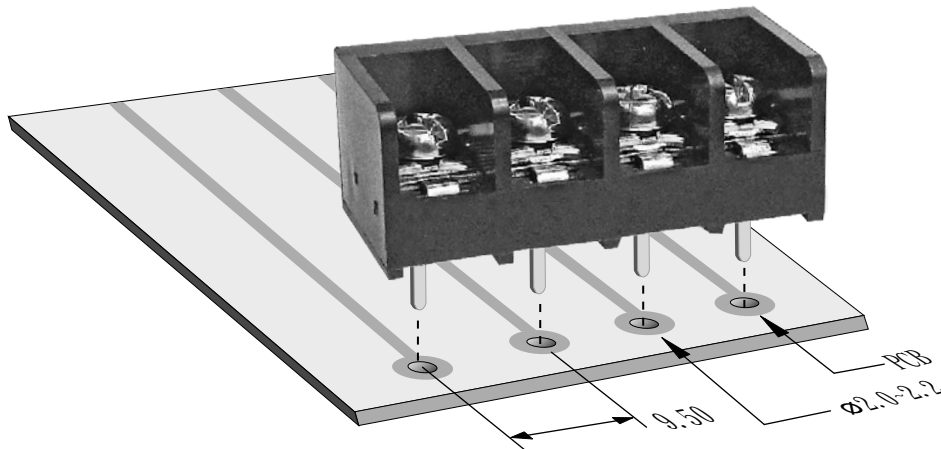


TYPE:T44 (貫通式端子台)

Pitch:9.50mm



ORDER GUIDE(注文方法):

T44 - B S11 - 04

| Body(本体) | | Terminal style(端子スタイル) | | | | Poles(極数) |
|---|---|------------------------|--|-----|--|-----------|
| A: 取付穴・壁有り、カバー無し (Mount Ends) | G: 特殊取付穴・壁有り、 カバー無し(Barrier Ends with Angle bracketes) | B1E | | S1E | | 02 |
| B: 取付穴・カバー無し、壁有り (Barrier Ends) | L: 取付穴有り、金具・壁・ カバー無し、金具が付付き (Mount Ends with Standoffs) | B11 | | S1N | | ⋮ |
| E: 取付穴無し、壁有り、 カバー付き (Barrier Ends with Cover) | | B21 | | S11 | | ⋮ |
| | | C37 | | S37 | | 26 |

SPECIFICATION(規格,仕様):

| | | | |
|------------------------------|-------------------------|----------|-------------------|
| Terminal : | Brass, Tin plated,0.8 t | 端子金具 : | 黄銅板 ハンダメッキ, 0.8 t |
| Insulator body : | PBT(UL94V-0), Black | 本体 : | PBT(UL94V-0), 黒色 |
| Screw : | M3.5, steel, Ni plated | 端子ネジ : | M3.5, 鉄ニッケルメッキ |
| Cover : | PC | カバー : | PC |
| Operation temperatures : | -40° C to +120° C | 使用温度範囲 : | -40° C to +120° C |
| Rated current : | 15Amp 300V | 定格 : | 15Amp 300V |
| Insulation withstands volt : | 2000V 1min | 耐電圧 : | 2000V 一分間 |
| Insulation resistance : | 2000MΩ at DC 500V | 絶縁抵抗 : | DC 500V 2000MΩ |
| PCB hole Dia : | ø 2.0mm~ø 2.2mm | 基板穴径 : | ø 2.0mm~ø 2.2mm |
| Wire range : | 14~22 AWG | 適合電線 : | 14~22 AWG |
| Screw torque : | 12 lb-in | 締付トルク : | 12 lb-in |
| | Screw with washer | | ワッシャー付ネジ |

.374" PCB Tri-Barrier Terminal Blocks

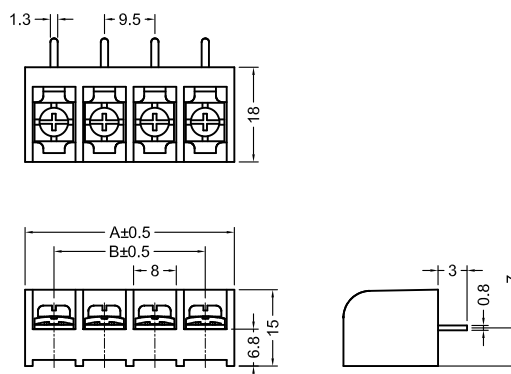
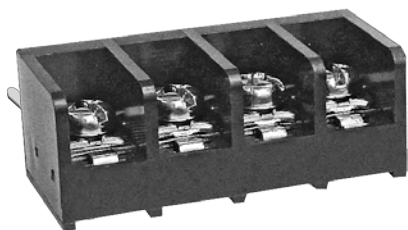
DECA[®]
SwitchLab

TYPE:T44

Pitch:9.50mm

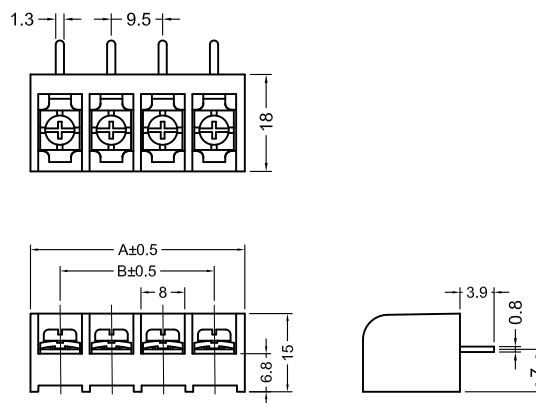
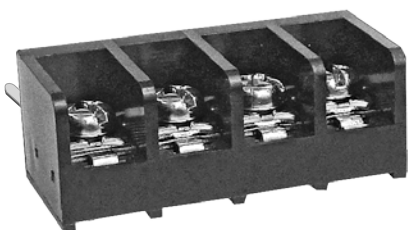
T44-BB1E-04

Terminal style:B1E



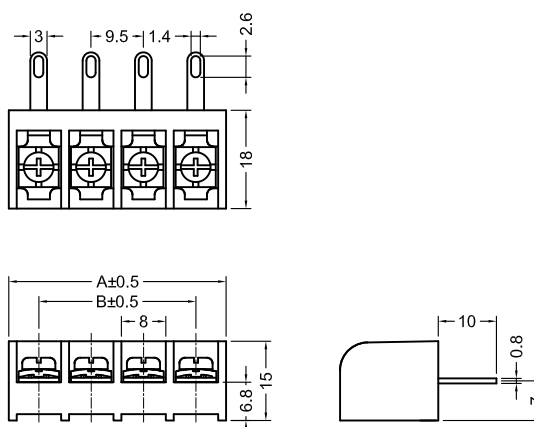
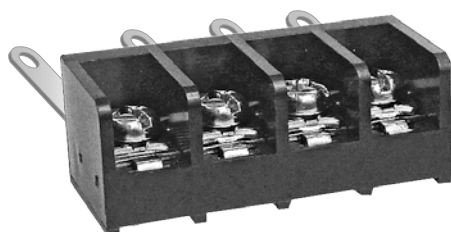
T44-BB11-04

Terminal style:B11



T44-BB21-04

Terminal style:B21



| | | | | | | | | | | | | | | | |
|-------|--------|--------|--------|--------|--------|--------|--------|--------|--------|--------|--------|--------|--------|--------|--------|
| Poles | 2 | 3 | 4 | 5 | 6 | 7 | 8 | 9 | 10 | 11 | 12 | 13 | 14 | 15 | 16 |
| A(mm) | 20.20 | 29.70 | 39.20 | 48.70 | 58.20 | 67.70 | 77.20 | 86.70 | 96.20 | 105.70 | 115.20 | 124.70 | 134.20 | 143.70 | 153.20 |
| B(mm) | 9.50 | 19.00 | 28.50 | 38.00 | 47.50 | 57.00 | 66.50 | 76.00 | 85.50 | 95.00 | 104.50 | 114.00 | 123.50 | 133.00 | 142.50 |
| Poles | 17 | 18 | 19 | 20 | 21 | 22 | 23 | 24 | 25 | 26 | 27 | 28 | 29 | 30 | |
| A(mm) | 162.70 | 172.20 | 181.70 | 191.20 | 200.70 | 210.20 | 219.70 | 229.20 | 238.70 | 248.20 | | | | | |
| B(mm) | 152.00 | 161.50 | 171.00 | 180.50 | 190.00 | 199.50 | 209.00 | 218.50 | 228.00 | 237.50 | | | | | |

.374" PCB Tri-Barrier Terminal Blocks

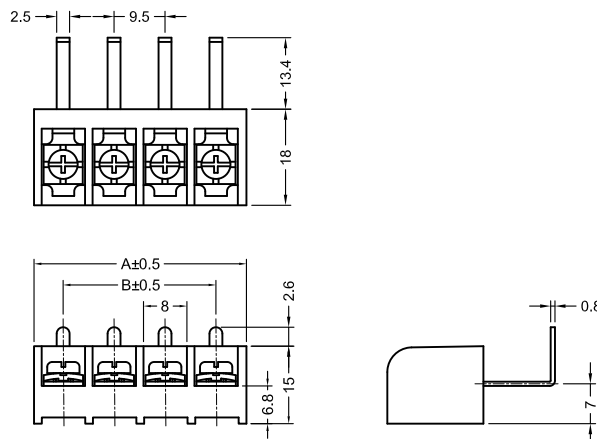
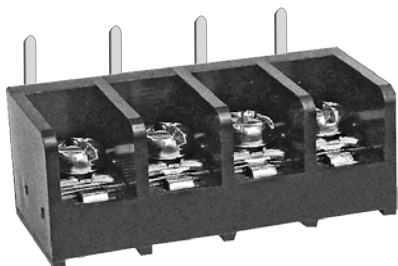
DECA[®]
SwitchLab

TYPE:T44

Pitch:9.50mm

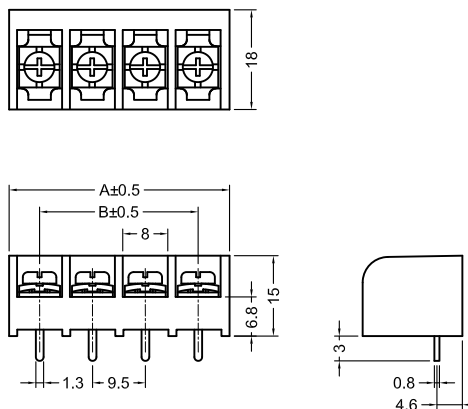
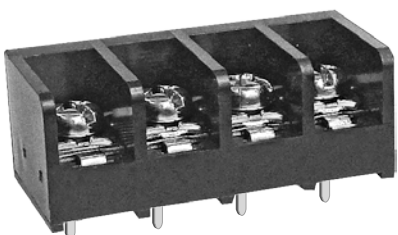
T44-BC37-04

Terminal style:C37



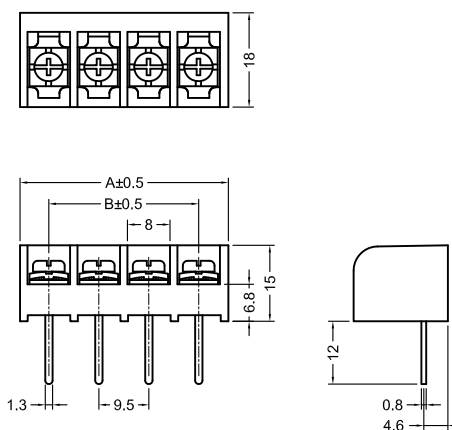
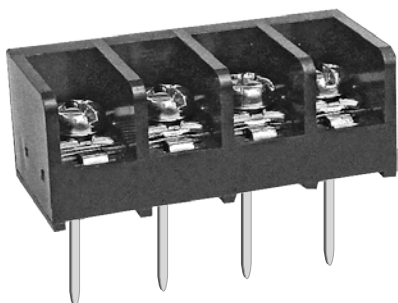
T44-BS1E-04

Terminal style:S1E



T44-BS1N-04

Terminal style:S1N



| | | | | | | | | | | | | | | | |
|-------|--------|--------|--------|--------|--------|--------|--------|--------|--------|--------|--------|--------|--------|--------|--------|
| Poles | 2 | 3 | 4 | 5 | 6 | 7 | 8 | 9 | 10 | 11 | 12 | 13 | 14 | 15 | 16 |
| A(mm) | 20.20 | 29.70 | 39.20 | 48.70 | 58.20 | 67.70 | 77.20 | 86.70 | 96.20 | 105.70 | 115.20 | 124.70 | 134.20 | 143.70 | 153.20 |
| B(mm) | 9.50 | 19.00 | 28.50 | 38.00 | 47.50 | 57.00 | 66.50 | 76.00 | 85.50 | 95.00 | 104.50 | 114.00 | 123.50 | 133.00 | 142.50 |
| Poles | 17 | 18 | 19 | 20 | 21 | 22 | 23 | 24 | 25 | 26 | 27 | 28 | 29 | 30 | |
| A(mm) | 162.70 | 172.20 | 181.70 | 191.20 | 200.70 | 210.20 | 219.70 | 229.20 | 238.70 | 248.20 | | | | | |
| B(mm) | 152.00 | 161.50 | 171.00 | 180.50 | 190.00 | 199.50 | 209.00 | 218.50 | 228.00 | 237.50 | | | | | |

.374" PCB Tri-Barrier Terminal Blocks

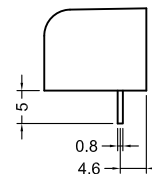
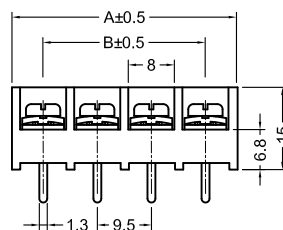
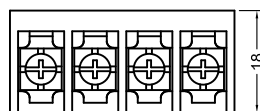
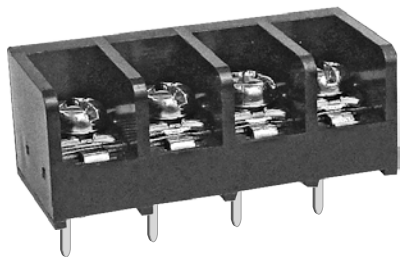
DECA[®]
SwitchLab

TYPE:T44

Pitch:9.50mm

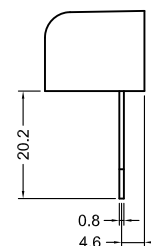
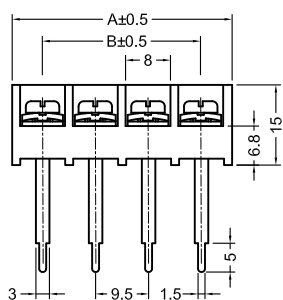
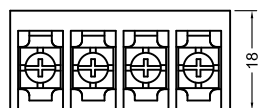
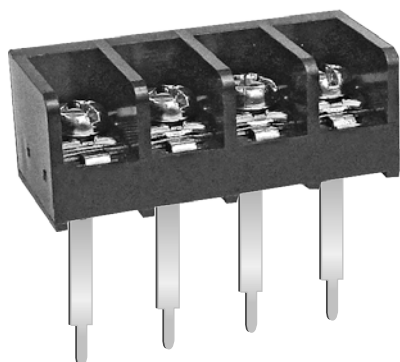
T44-BS11-04

Terminal style:S11



T44-BS37-04

Terminal style:S37



| | | | | | | | | | | | | | | | |
|-------|--------|--------|--------|--------|--------|--------|--------|--------|--------|--------|--------|--------|--------|--------|--------|
| Poles | 2 | 3 | 4 | 5 | 6 | 7 | 8 | 9 | 10 | 11 | 12 | 13 | 14 | 15 | 16 |
| A(mm) | 20.20 | 29.70 | 39.20 | 48.70 | 58.20 | 67.70 | 77.20 | 86.70 | 96.20 | 105.70 | 115.20 | 124.70 | 134.20 | 143.70 | 153.20 |
| B(mm) | 9.50 | 19.00 | 28.50 | 38.00 | 47.50 | 57.00 | 66.50 | 76.00 | 85.50 | 95.00 | 104.50 | 114.00 | 123.50 | 133.00 | 142.50 |
| Poles | 17 | 18 | 19 | 20 | 21 | 22 | 23 | 24 | 25 | 26 | 27 | 28 | 29 | 30 | |
| A(mm) | 162.70 | 172.20 | 181.70 | 191.20 | 200.70 | 210.20 | 219.70 | 229.20 | 238.70 | 248.20 | | | | | |
| B(mm) | 152.00 | 161.50 | 171.00 | 180.50 | 190.00 | 199.50 | 209.00 | 218.50 | 228.00 | 237.50 | | | | | |