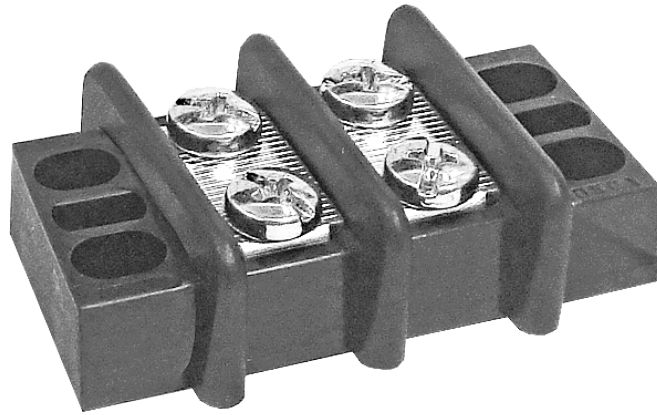


TYPE: T68

(中継式端子台)


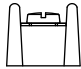




Pitch:14.30mm



ORDER GUIDE(注文方法):

T68 - T 02

Body(本体)	Screw Style(ネジスタイル)	Poles(極数)
<p>T68本體 (Standard)</p> 	<p>T</p> 	<p>02 ⋮ ⋮ ⋮ ⋮ ⋮ ⋮ ⋮ 18</p>
<p>T68本體加高 (Heightened Wall)</p> 	<p>W</p> 	

SPECIFICATION(規格,仕様):

Terminal :	Brass, Tin plated, 0.8t	端子金具 :	黄銅板 ハンダメッキ, 0.8 t
Insulator body :	PBT(UL94V-0), Black	本体 :	PBT(UL94V-0), 黒色
Screw :	#8-32, steel, Ni plated	端子ネジ :	#8-32, 鉄ニッケルメッキ
Cover :	PC	カバー :	PC
Operation temperatures :	-40° C to +140° C	使用温度範囲 :	-40° C to +140° C
Rated current :	30Amp 300V	定格 :	30Amp 300V
Insulation withstands volt :	2000V 1min	耐電圧 :	2000V 一分間
Insulation resistance :	2000MΩ at DC 500V	絶縁抵抗 :	DC 500V 2000MΩ
Wire range :	10~22 AWG	適合電線 :	10~22 AWG
Screw torque :	14 lb-in	締付トルク :	14 lb-in

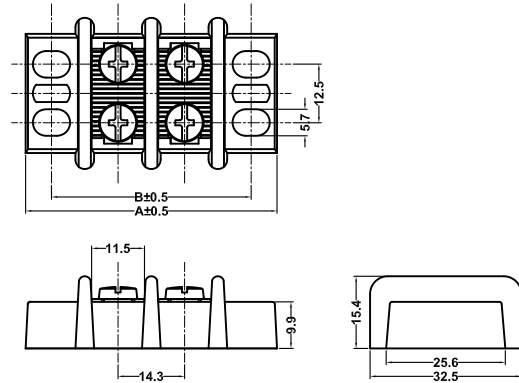
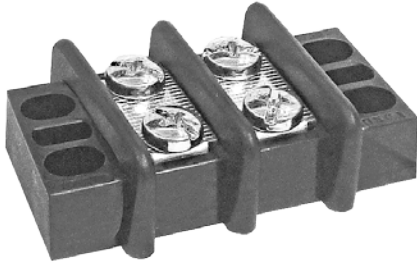
.563" PCB Barrier Terminal Blocks

TYPE: T68

Pitch:14.30mm

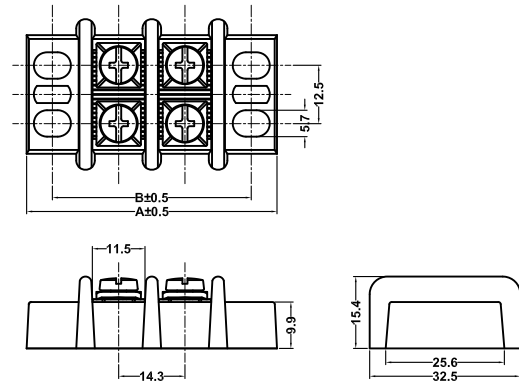
T68-T02

Screw style:T



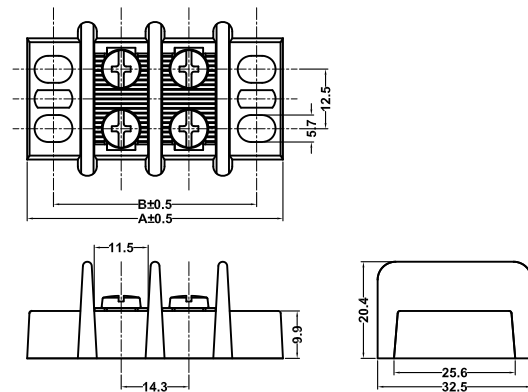
T68-W02

Screw style:W



T68-T02H

Screw style:T



Poles	2	3	4	5	6	7	8	9	10	11	12	13	14	15	16
A(mm)	54.10	68.40	82.70	97.00	111.30	125.60	139.90	154.20	168.50	182.80	197.10	211.40	225.70	240.00	254.30
B(mm)	43.00	57.30	71.60	85.90	100.20	114.50	128.80	143.10	157.40	171.70	186.00	200.30	214.60	228.90	243.20
Poles	17	18	19	20	21	22	23	24	25	26	27	28	29	30	
A(mm)	268.60	282.90													
B(mm)	257.50	271.80													

.563" PCB Barrier Terminal Blocks

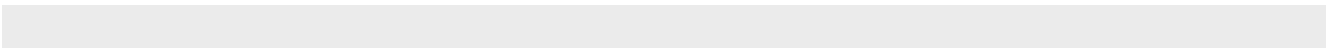
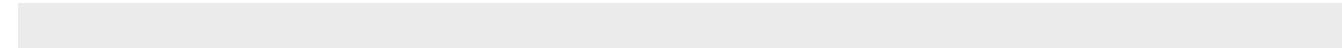
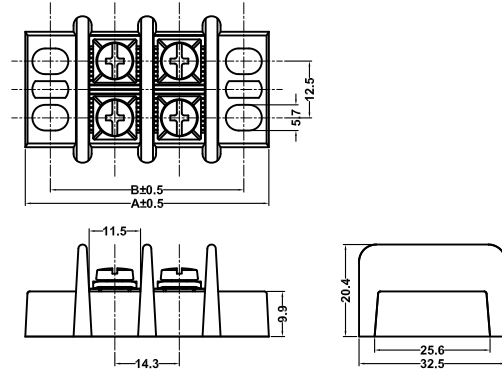
DECA[®]
SwitchLab

TYPE: T68

Pitch:14.30mm

T68-W02H

Screw style:W



Poles	2	3	4	5	6	7	8	9	10	11	12	13	14	15	16
A(mm)	54.10	68.40	82.70	97.00	111.30	125.60	139.90	154.20	168.50	182.80	197.10	211.40	225.70	240.00	254.30
B(mm)	43.00	57.30	71.60	85.90	100.20	114.50	128.80	143.10	157.40	171.70	186.00	200.30	214.60	228.90	243.20
Poles	17	18	19	20	21	22	23	24	25	26	27	28	29	30	
A(mm)	268.60	282.90													
B(mm)	257.50	271.80													