

Orbit Cuts off Utensil

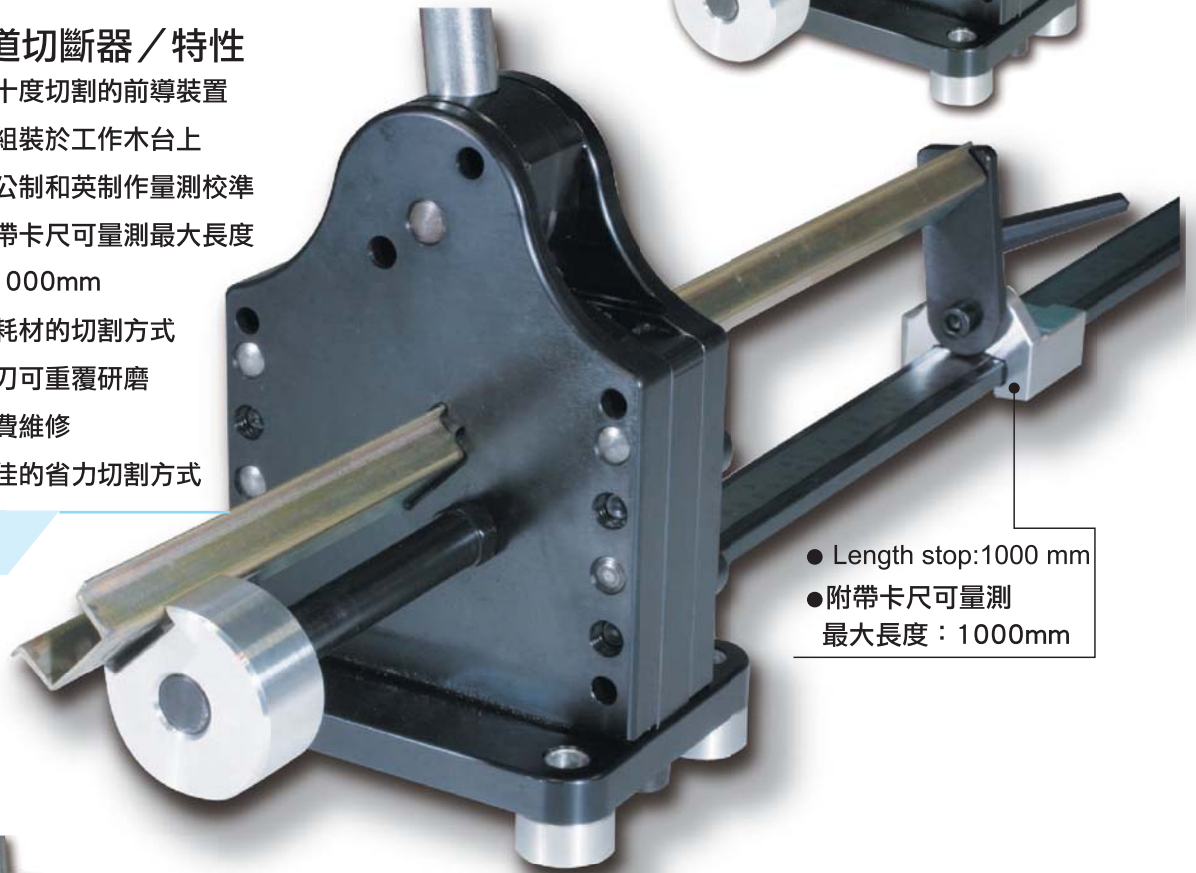
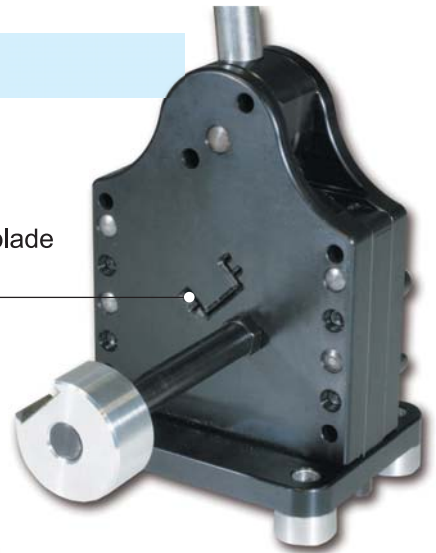
Characteristic

- Guide apparatus for cutting a 90 degree angle exactly.
- Easy assembly on the workbench.
- Measure alignment metric and inch.
- Length stop:1000mm
- Burr-free cutting without loss.
- Shearing blade can be re-sharpened.
- Maintenance free.
- Labor saving due to better force transfer.

軌道切斷器 / 特性

- 九十度切割的前導裝置
- 易組裝於工作木台上
- 以公制和英制作量測校準
- 附帶卡尺可量測最大長度 : 1000mm
- 無耗材的切割方式
- 裁刀可重覆研磨
- 免費維修
- 絕佳的省力切割方式

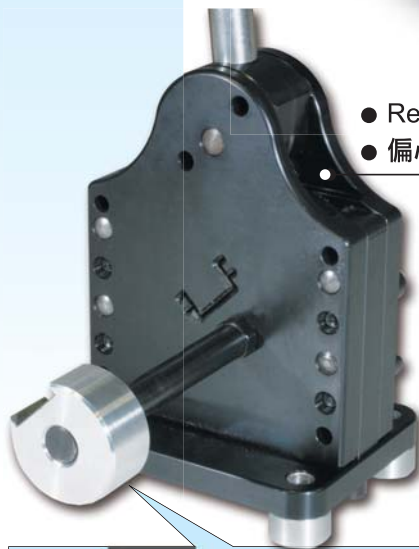
- Shearing blade
- 裁刀



- Length stop:1000 mm
- 附帶卡尺可量測最大長度 : 1000mm

TSCU

- Reinforced eccentric
- 偏心輪



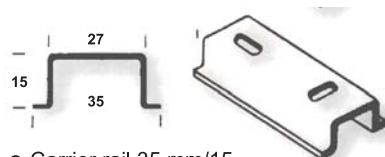
- Guide apparatus for cutting a 90 degree angle exactly.
- 九十度切割的前導裝置



Carrier rails



- Carrier rail 35 mm/7.5 mm
Acc. to EN 50022
- 軌道寬度35mm/高度7.5mm
符合EN 50022之標準



- Carrier rail 35 mm/15 mm
Acc. to EN 50022
- 軌道寬度35mm/高度15mm
符合EN 50022之標準