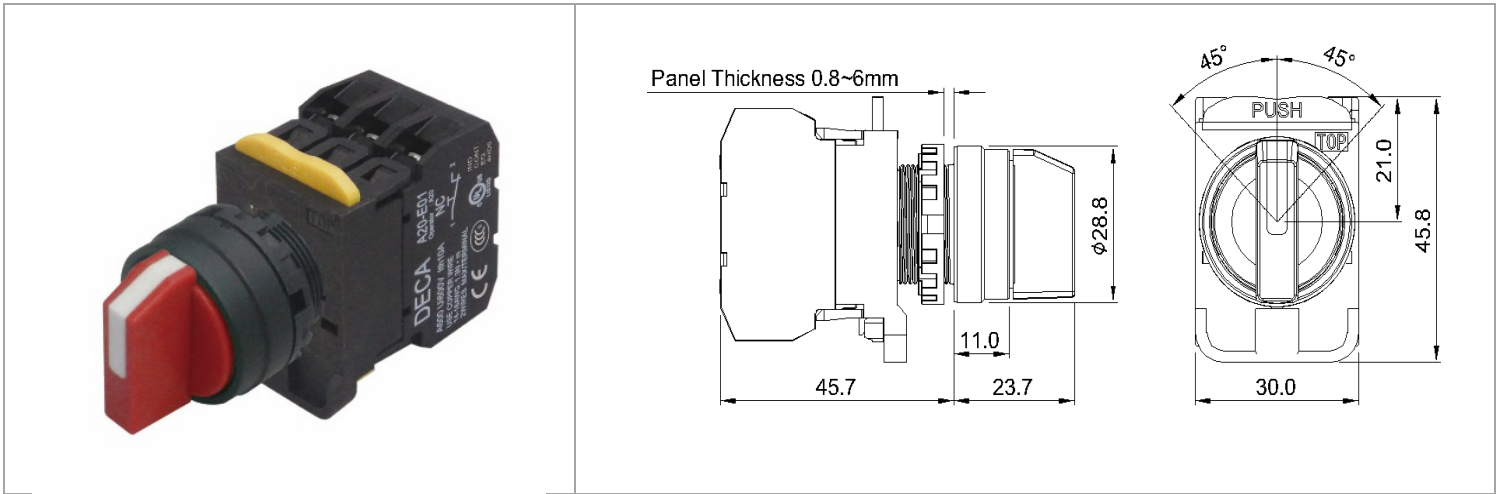


## A20S-3E①②

工業開關 > Φ22A20開關控制元件



目錄僅供參考，實際規格仍依照產品工程圖面為準

### 產品介紹 Product Description

### 基本信息 Additional Information

|                     |  |
|---------------------|--|
| 產品系列 Series         | M22  |
| 產品種類 Function       | 模組式 Module   |
| 產品型式 Type           | 選擇開關 Selector Switch   |
| 面框材料 Bezel Material | 塑膠 Plastic   |
| 產品動作 Action         | 3 Positions -45° to 0° to +45°   |
| 動作類型 Operator       | 保持 Maintained  |
| 接點塊 ① Block ①       | 20/20N1: 2NO, 02/20N1: 2NC, 11/11N1/11N2/11N3:1NO1NC, 30: 3NO, 03: 3NC, 21: 2NO1NC, 12: 1NO2NC |
| 顏色 ② Color ②        | B:黑色, R:紅色, G:綠色, S:藍色, Y:黃色, W:白色<br>B:Black, R:Red, G:Green, S:Blue, Y:Yellow, W:White       |
| 重量 Weight           | 52g  |
| 線徑 Wire Diameter    | 14~16AWG   |

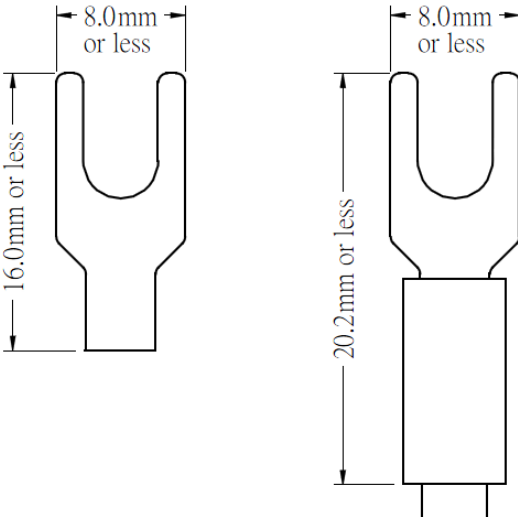
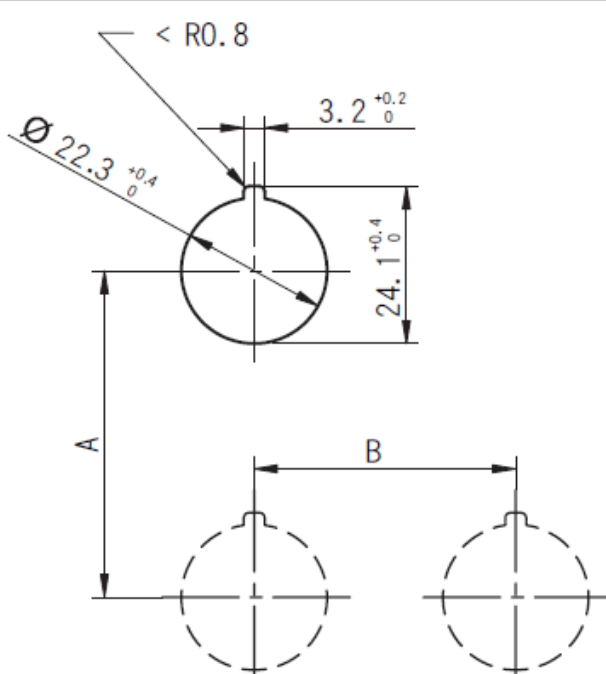
### 產品規格 Product Specification

|                                |                             |      |      |       |      |
|--------------------------------|-----------------------------|------|------|-------|------|
| Rated Insulation Voltage (Ui)  |                             | 600V |      |       |      |
| Rated Thermal Current (Ith)    |                             | 10A  |      |       |      |
| Rated Operational Voltage (Ue) |                             | 24V  | 120V | 240V  | 380V |
| AC 50/60HZ                     | Resistive Load (AC-12) (Ie) | 10A  | 10A  | 6A    | 2A   |
|                                | Inductive Load (AC-15) (Ie) | 10A  | 6A   | 3A    | 1.9A |
| DC                             | Resistive Load (DC-12) (Ie) | 8A   | 2.2A | 1.1A  | -    |
|                                | Inductive Load (DC-13) (Ie) | 4A   | 1.1A | 0.55A | -    |
| 儲存溫度 Storage Temperature       | -45°C to +85°C              |      |      |       |      |
| 操作溫度 Operating Temperature     | -25°C to +70°C              |      |      |       |      |
| 操作濕度 Operating Humidity        | 45% to 85% RH               |      |      |       |      |
| 防護等級 Degree of Protection      | IP65                        |      |      |       |      |

|                          |   |
|--------------------------|---|
| 汙染等級 Degree of Pollution | 3 |
|--------------------------|---|

|  |   |
|--|---|
| 接觸阻抗 Contact resistance                              | 100mΩ max (at 1A, DC 6~8V)  |
| 絕緣阻抗 Insulation resistance                           | 100MΩ max (at DC 500V)  |
| 耐電壓 Dielectric Strength                              | AC 2500, 50/60Hz for 1min   |
| 機械壽命 Mechanical Life                                 | 5,000,000 operations  |
| 電氣壽命 Electrical Life                                 | 100,000 operations  |
| 電氣耐久性 Electrical Durability                          | 1,000,000 cycles, AC-15, 230V/1A, 3600 cyc/hr<br>1,000,000 cycles, DC-13, 24V/0.5A, 3600 cyc/hr |
| 抗衝擊-誤動作<br>Shock Resistance - Operating Extremes     | 100 m/s <sup>2</sup>  |
| 抗衝擊-耐久性<br>Shock Resistance - Operating Extremes     | 1000 m/s <sup>2</sup>   |
| 耐振動-誤動作<br>Vibration Resistance - Operating Extremes | 5~55Hz, 單振幅 0.5mm<br>5 to 55Hz, Amplitude 0.5mm   |
| 耐振動-耐久性<br>Vibration Resistance - Damage Limits      | 30Hz, 單振幅 1.5mm<br>30Hz, Amplitude 1.5mm  |
| 容許操作頻率-機械<br>Operating Frequency                     | 瞬時MAX 60次/min (參考)<br>Instantaneous Maximun 60 operations per 1 min                             |

## 安裝說明 Assembly

| 端子外型 Crimp Terminals Appearance   | 安裝孔尺寸 Mounting Hole Layout  |
|---|---|
|  |  |
| 面板厚度 Panel Thickness  | 0.8~12 mm   |
| 安裝轉矩 (牙環) Mounting Torque   | 2 N.m   |

## 安全認證 Certificates

|                    |  |
|--------------------|--|
| Certification Mark |  |
| Approved StandardS | IEC 60947-1, IEC 60947-5, GB/T 14048.5, UL508, CSA C22.2                             |