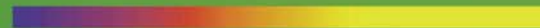


DECA SWITCHLAB

DECA[®]
SwitchLab



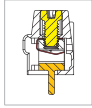
ISO 9001

UL[®] C

VDE CE

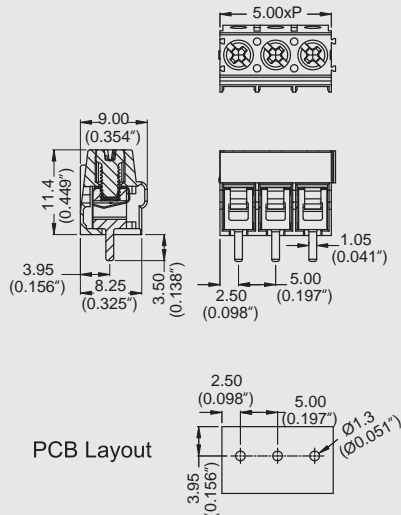
MA112 PCB Terminal Block, Modular

MA



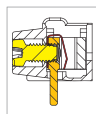
DIMENSIONS/POSITIONS		MA112-500M
間距	Pitch	5.00mm
位數	Poles	2 ~ 3Poles
塑膠本體	Housing Material	PA 66
彈片	Spring	Stainless Strip Steel
端子	Contact	Brass, Tin Plated
螺紋	Screw Thread	M2.6, Steel, Zinc Plated
電線線徑	Wire Size	12 ~ 26AWG
剝線長度	Wire Strip Length	5mm
PCB孔徑	PCB Hole Diameter	1.3mm
最大緊固扭矩	Tightening Torque, Max.	4.0 Lb-in
環境作業溫度	Operating Temperature	-40°C to +105°C

TECHNICAL DATA		
連接符合標準 Connection in acc. with standard EN-VDE		
額定電流 I _n	Nominal Current I _n	15A
額定橫截面	Nominal Cross Section	-
最大負載電流	Maximum load current	15A
絕緣材料	Insulating Material	PA
阻燃等級,符合UL94 Inflammability class acc. to UL94		V0
額定電壓,UL/CUL Nominal voltage, UL/CUL		300V
額定電流,UL/CUL Nominal current, UL/CUL		15A





MA



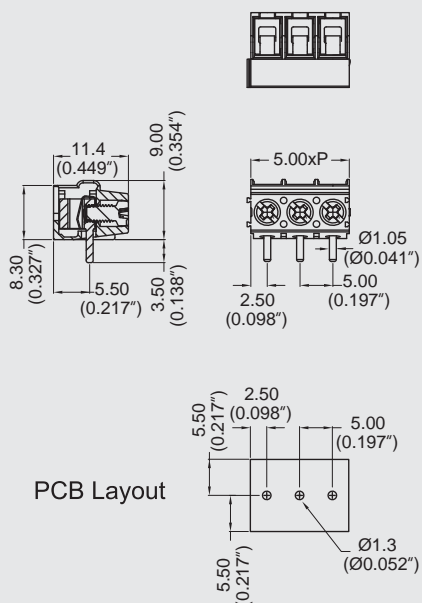
DIMENSIONS/POSITIONS

MA114-500M

間距	Pitch	5.00mm
位數	Poles	2 ~ 3Poles
塑膠本體	Housing Material	PA 66
彈片	Spring	Stainless Strip Steel
端子	Contact	Brass, Tin Plated
螺紋	Screw Thread	M2.6, Steel, Zinc Plated
電線線徑	Wire Size	12 ~ 26AWG
剝線長度	Wire Strip Length	5mm
PCB孔徑	PCB Hole Diameter	1.3mm
最大緊固扭矩	Tightening Torque, Max.	4.0 Lb-in
環境作業溫度	Operating Temperature	-40°C to +105°C

TECHNICAL DATA

連接符合標準 Connection in acc. with standard EN-VDE		
額定電流 I_n Nominal Current I_n		15A
額定橫截面 Nominal Cross Section		-
最大負載電流 Maximum load current		15A
絕緣材料 Insulating Material		PA
阻燃等級,符合UL94 Inflammability class acc. to UL94		V0
額定電壓,UL/CUL Nominal voltage, UL/CUL		300V
額定電流,UL/CUL Nominal current, UL/CUL		15A



MA126 PCB Terminal Block, Modular

MA



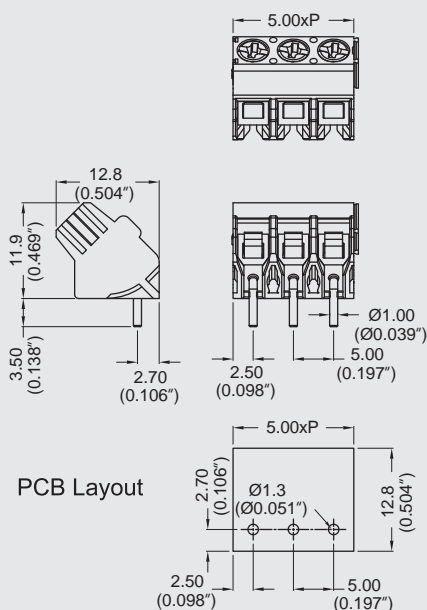
DIMENSIONS/POSITIONS

MA126-500M

間距	Pitch	5.00mm
位數	Poles	2 ~ 3Poles
塑膠本體	Housing Material	PA 66
彈片	Spring	Stainless Strip Steel
端子	Contact	Brass, Tin Plated
螺紋	Screw Thread	M2.6, Steel, Zinc Plated
電線線徑	Wire Size	12 ~ 26AWG
剝線長度	Wire Strip Length	5mm ~ 6mm
PCB孔徑	PCB Hole Diameter	1.3mm
最大緊固扭矩	Tightening Torque, Max.	3.54 Lb-in
環境作業溫度	Operating Temperature	-40°C to +105°C

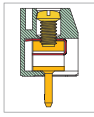
TECHNICAL DATA

連接符合標準 Connection in acc. with standard EN-VDE		
額定電流 I _n Nominal Current I _n	15A	
額定橫截面 Nominal Cross Section	-	
最大負載電流 Maximum load current	15A	
絕緣材料 Insulating Material	PA	
阻燃等級,符合UL94 Inflammability class acc. to UL94	V0	
額定電壓,UL/CUL Nominal voltage, UL/CUL	300V	
額定電流,UL/CUL Nominal current, UL/CUL	15A	





MA



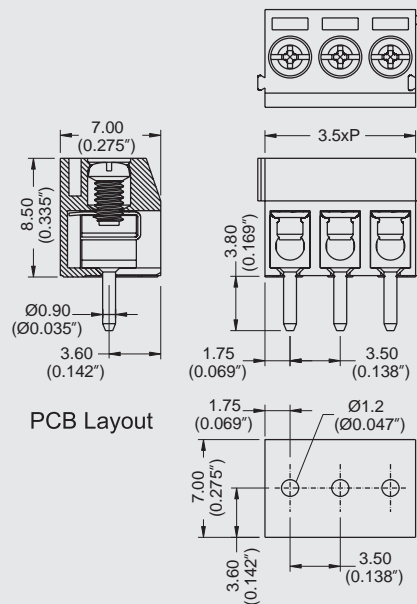
DIMENSIONS/POSITIONS

MA212-350M

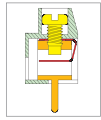
間距	Pitch	3.50mm
位數	Poles	2 ~ 3Poles
塑膠本體	Housing Material	PA 66
彈片	Spring	Stainless Strip Steel
端子	Contact	Brass, Tin Plated
螺紋	Screw Thread	M2.0, Steel, Zinc Plated
電線線徑	Wire Size	16 ~ 26AWG
剝線長度	Wire Strip Length	5mm ~ 6mm
PCB孔徑	PCB Hole Diameter	1.2mm
最大緊固扭矩	Tightening Torque, Max.	2.0 Lb-in
環境作業溫度	Operating Temperature	-40°C to +105°C

TECHNICAL DATA

連接符合標準 Connection in acc. with standard EN-VDE		
額定電流 I_n Nominal Current I_n		6A
額定橫截面 Nominal Cross Section		-
最大負載電流 Maximum load current		6A
絕緣材料 Insulating Material		PA
阻燃等級,符合UL94 Inflammability class acc. to UL94		V0
額定電壓,UL/CUL Nominal voltage, UL/CUL		300V
額定電流,UL/CUL Nominal current, UL/CUL		6A



MA311 PCB Terminal Block, Single Mold

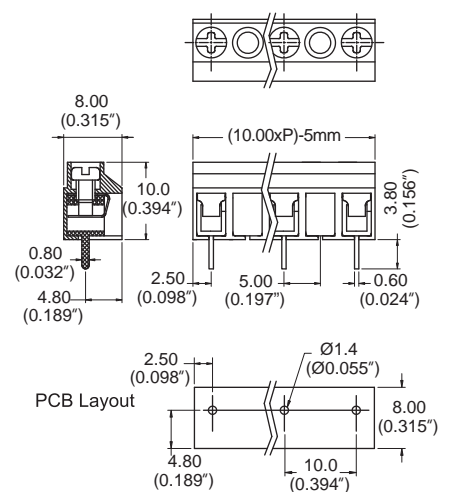
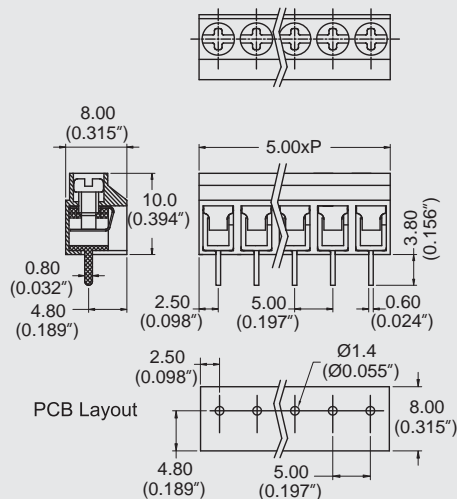


DIMENSIONS/POSITIONS

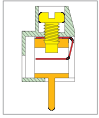
DIMENSIONS/POSITIONS		MA311-500	MA311-100
間距	Pitch	5.00mm	10.00mm
位數	Poles	2 ~ 24Poles	2 ~ 14Poles
塑膠本體	Housing Material	PA 66	PA 66
彈片	Spring	Brass, Gold, Tin or Ni Plated	Brass, Gold, Tin or Ni Plated
端子	Contact	Brass, Tin Plated	Stainless Steel
螺紋	Screw Thread	M2.6, Steel, Zinc Plated	M2.6, Steel, Zinc Plated
電線線徑	Wire Size	14 ~ 26AWG	14 ~ 26AWG
剝線長度	Wire Strip Length	5mm ~ 6mm	5mm ~ 6mm
PCB孔徑	PCB Hole Diameter	1.4mm	1.4mm
最大緊固扭矩	Tightening Torque, Max.	4.0 Lb-in	3.0 Lb-in
環境作業溫度	Operating Temperature	-40°C to +105°C	-40°C to +105°C

TECHNICAL DATA

連接符合標準 Connection in acc. with standard EN-VDE			
額定電流 I _n	Nominal Current I _n	10A	15A
額定橫截面	Nominal Cross Section	-	-
最大負載電流	Maximum load current	10A	15A
絕緣材料	Insulating Material	PA	PA
阻燃等級,符合UL94 Inflammability class acc. to UL94		V0	V0
額定電壓,UL/CUL Nominal voltage, UL/CUL		300V	300V
額定電流,UL/CUL Nominal current, UL/CUL		10A	15A



MA321 PCB Terminal Block, Single Mold

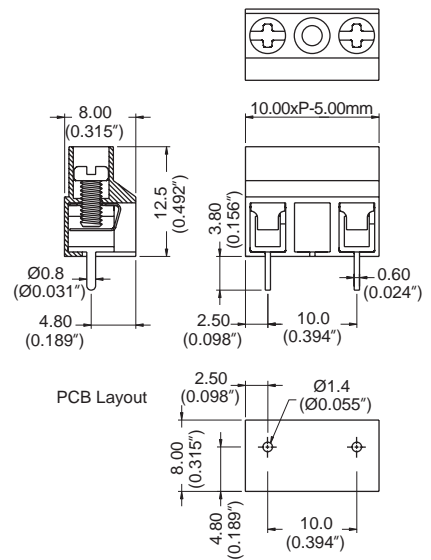
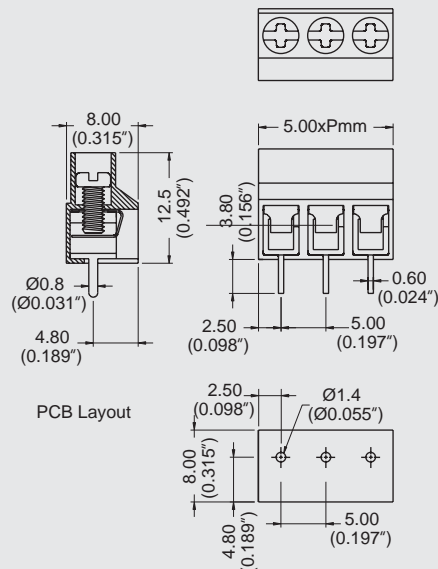


MA

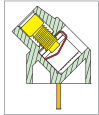
DIMENSIONS/POSITIONS		MA321-500	MA321-100
間距	Pitch	5.00mm	10.00mm
位數	Poles	2 ~ 24Poles	2 ~ 14Poles
塑膠本體	Housing Material	PA 66	PA 66
彈片	Spring	Brass, Gold, Tin or Ni Plated	Stainless Steel
端子	Contact	Brass, Tin Plated	Brass, Ni Plated
螺紋	Screw Thread	M2.6, Steel, Zinc Plated	M2.6, Steel, Zinc Plated
電線線徑	Wire Size	14 ~ 26AWG	14 ~ 26AWG
剝線長度	Wire Strip Length	5mm ~ 6mm	5mm ~ 6mm
PCB孔徑	PCB Hole Diameter	1.4mm	1.4mm
最大緊固扭矩	Tightening Torque, Max.	4.0 Lb-in	3.0 Lb-in
環境作業溫度	Operating Temperature	-40°C to +105°C	-40°C to +105°C

TECHNICAL DATA

連接符合標準 Connection in acc. with standard EN-VDE			
額定電流 I_n	Nominal Current I_n	10A	15A
額定橫截面	Nominal Cross Section	-	
最大負載電流	Maximum load current	10A	15A
絕緣材料	Insulating Material	PA	PA
阻燃等級,符合UL94 Inflammability class acc. to UL94		V0	V0
額定電壓,UL/CUL Nominal voltage, UL/CUL		300V	300V
額定電流,UL/CUL Nominal current, UL/CUL		10A	15A



MA325 PCB Terminal Block, Modular

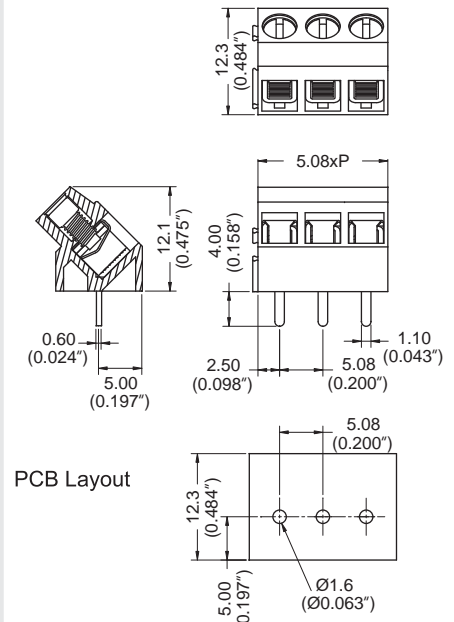
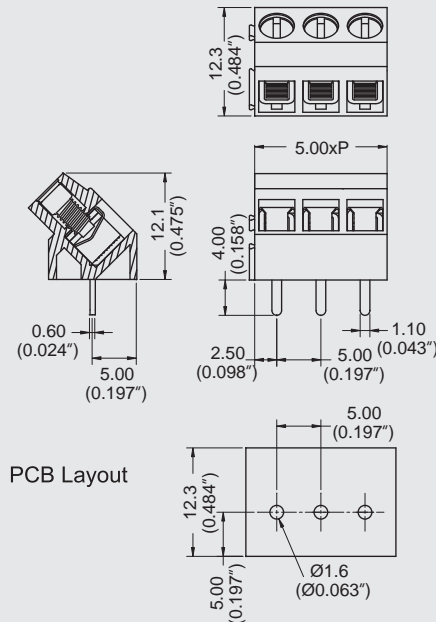


DIMENSIONS/POSITIONS

DIMENSIONS/POSITIONS		MA325-500M	MA325-508M
間距	Pitch	5.00mm	5.08mm
位數	Poles	2 ~ 3Poles	2 ~ 3Poles
塑膠本體	Housing Material	PA 66	PA 66
彈片	Spring	Stainless Steel	Stainless Steel
端子	Contact	Brass, Tin Plated	Brass, Tin Plated
螺紋	Screw Thread	M2.6, Steel, Zinc Plated	M2.6, Steel, Zinc Plated
電線線徑	Wire Size	18 ~ 22AWG	18 ~ 22AWG
剝線長度	Wire Strip Length	4.5mm ~ 5.5mm	4.5mm ~ 5.5mm
PCB孔徑	PCB Hole Diameter	1.6mm	1.6mm
最大緊固扭矩	Tightening Torque, Max.	4.0 Lb-in	4.0 Lb-in
環境作業溫度	Operating Temperature	-40°C to +105°C	-40°C to +105°C

TECHNICAL DATA

連接符合標準 Connection in acc. with standard EN-VDE			
額定電流 I_n	Nominal Current I_n	10A	10A
額定橫截面	Nominal Cross Section	0.75mm ²	0.75mm ²
最大負載電流	Maximum load current	10A	10A
絕緣材料	Insulating Material	PA	PA
阻燃等級,符合UL94 Inflammability class acc. to UL94		V0	V0
額定電壓,UL/CUL Nominal voltage, UL/CUL		300V	300V
額定電流,UL/CUL Nominal current, UL/CUL		10A	10A



MA331 PCB Terminal Block, Modular

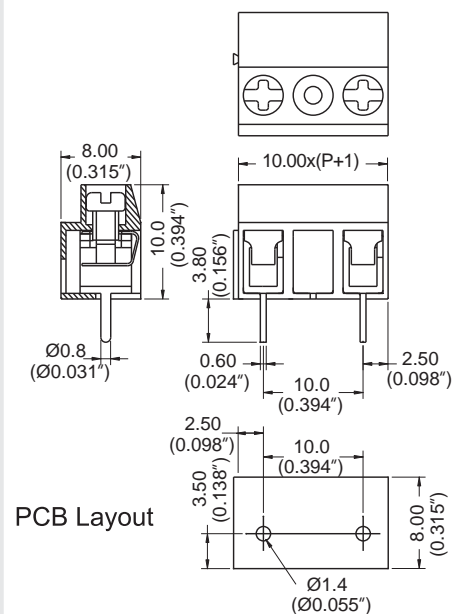
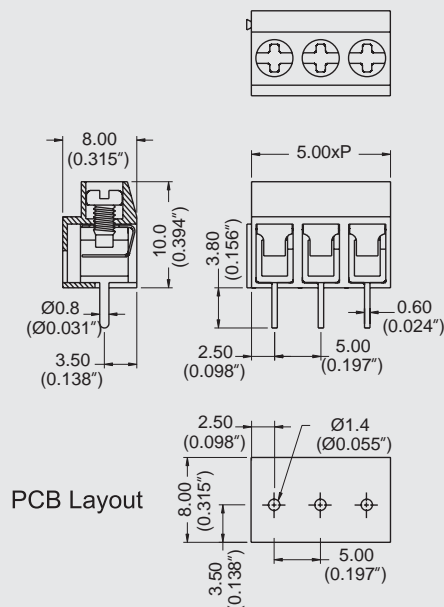


MA

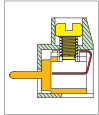
DIMENSIONS/POSITIONS		MA331-500M	MA331-100M
間距	Pitch	5.00mm	10.00mm
位數	Poles	2 ~ 3Poles	2 ~ 3Poles
塑膠本體	Housing Material	PA 66	PA 66
彈片	Spring	Brass, Gold, Tin or Ni Plated	Brass, Tin Plated
端子	Contact	Brass, Tin Plated	Brass, Tin Plated
螺紋	Screw Thread	M2.6, Steel, Zinc Plated	M2.6, Steel, Zinc Plated
電線線徑	Wire Size	14 ~ 26AWG	14 ~ 26AWG
剝線長度	Wire Strip Length	6mm ~ 6.5mm	5.5mm ~ 6.5mm
PCB孔徑	PCB Hole Diameter	1.4mm	1.4mm
最大緊固扭矩	Tightening Torque, Max.	4.0 Lb-in	2.5 Lb-in
環境作業溫度	Operating Temperature	-40°C to +105°C	-40°C to +105°C

TECHNICAL DATA

連接符合標準 Connection in acc. with standard EN-VDE			
額定電流 I _n	Nominal Current I _n	10A	15A
額定橫截面	Nominal Cross Section	-	
最大負載電流	Maximum load current	10A	15A
絕緣材料	Insulating Material	PA	PA
阻燃等級,符合UL94 Inflammability class acc. to UL94		V0	V0
額定電壓,UL/CUL Nominal voltage, UL/CUL		300V	300V
額定電流,UL/CUL Nominal current, UL/CUL		10A	15A



MA334 PCB Terminal Block, Modular



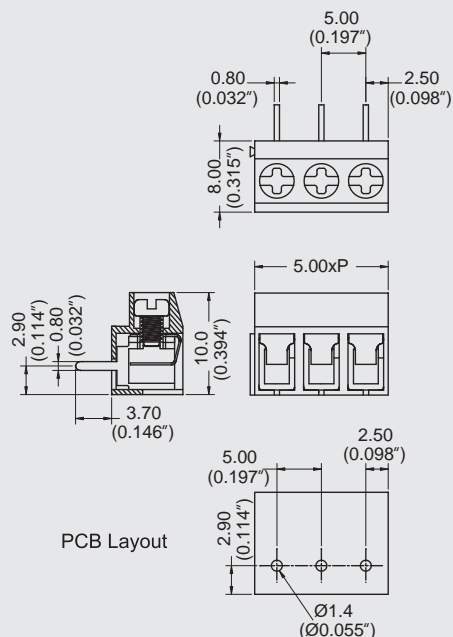
DIMENSIONS/POSITIONS

MA334-500M

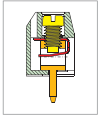
間距	Pitch	5.00mm
位數	Poles	2 ~ 3Poles
塑膠本體	Housing Material	PA 66
彈片	Spring	Stainless Steel
端子	Contact	Brass, Tin Plated
螺紋	Screw Thread	M2.6, Steel, Zinc Plated
電線線徑	Wire Size	14 ~ 26AWG
PCB孔徑	PCB Hole Diameter	1.4mm
最大緊固扭矩	Tightening Torque, Max.	4.0 Lb-in
環境作業溫度	Operating Temperature	-40°C to +105°C

TECHNICAL DATA

連接符合標準 Connection in acc. with standard EN-VDE		
額定電流 I _n	Nominal Current I _n	10A
額定橫截面	Nominal Cross Section	1.5mm ²
最大負載電流	Maximum load current	10A
絕緣材料	Insulating Material	PA
阻燃等級,符合UL94 Inflammability class acc. to UL94		V0
額定電壓,UL/CUL Nominal voltage, UL/CUL		300V
額定電流,UL/CUL Nominal current, UL/CUL		10A



MA412 PCB Terminal Block, Modular

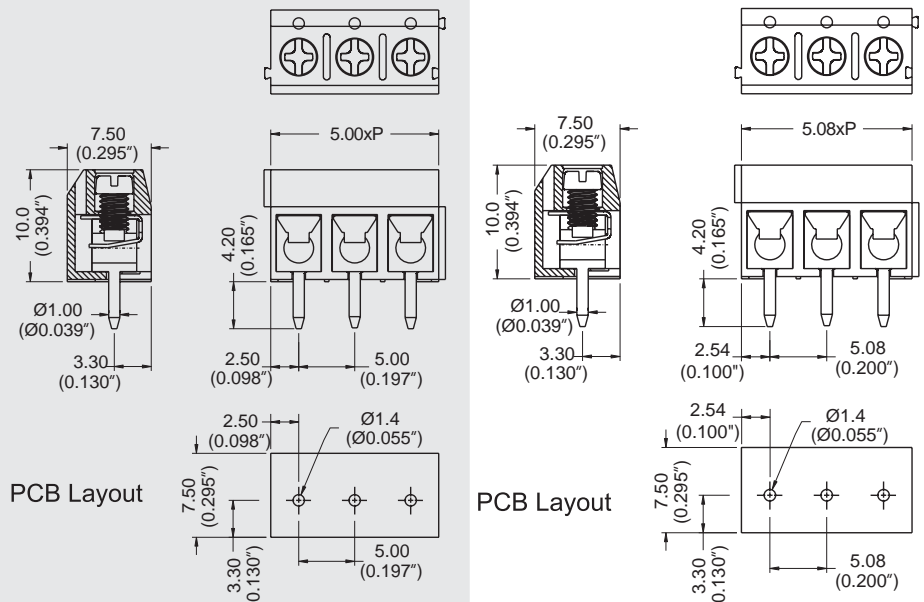


MA

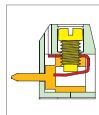
DIMENSIONS/POSITIONS		MA412-500M	MA412-508M
間距	Pitch	5.00mm	5.08mm
位數	Poles	2 ~ 3Poles	2 ~ 3Poles
塑膠本體	Housing Material	PA 66	PA 66
彈片	Spring	Stainless Steel	Stainless Steel
端子	Contact	Brass, Tin Plated	Brass, Tin Plated
螺紋	Screw Thread	M2.6, Steel, Zinc Plated	M2.6, Steel, Zinc Plated
電線線徑	Wire Size	12 ~ 26AWG	12 ~ 26AWG
剝線長度	Wire Strip Length	5mm ~ 6mm	5mm ~ 6mm
PCB孔徑	PCB Hole Diameter	1.4mm	1.4mm
最大緊固扭矩	Tightening Torque, Max.	4.0 Lb-in	4.0 Lb-in
環境作業溫度	Operating Temperature	-40°C to +105°C	-40°C to +105°C

TECHNICAL DATA

連接符合標準 Connection in acc. with standard EN-VDE			
額定電流 I _n	Nominal Current I _n	16A	16A
額定橫截面	Nominal Cross Section	1.5mm ²	1.5mm ²
最大負載電流	Maximum load current	16A	16A
絕緣材料	Insulating Material	PA	PA
阻燃等級,符合UL94 Inflammability class acc. to UL94		V0	V0
額定電壓,UL/CUL Nominal voltage, UL/CUL		300V	300V
額定電流,UL/CUL Nominal current, UL/CUL		16A	16A



MA414 PCB Terminal Block, Modular



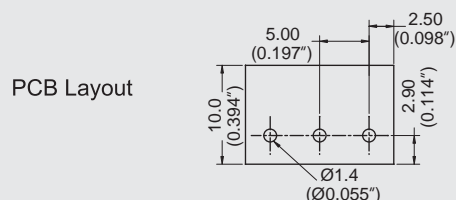
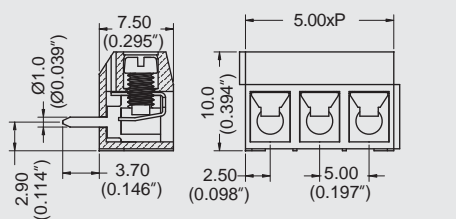
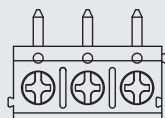
DIMENSIONS/POSITIONS

MA414-500M

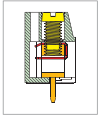
間距	Pitch	5.00mm
位數	Poles	2 ~ 3Poles
塑膠本體	Housing Material	PA 66
彈片	Spring	Stainless Steel
端子	Contact	Brass, Tin Plated
螺紋	Screw Thread	M2.6, Steel, Zinc Plated
電線線徑	Wire Size	12 ~ 22AWG
剝線長度	Wire Strip Length	4mm ~ 5mm
PCB孔徑	PCB Hole Diameter	1.4mm
最大緊固扭矩	Tightening Torque, Max.	4.0 Lb-in
環境作業溫度	Operating Temperature	-40°C to +105°C

TECHNICAL DATA

連接符合標準	Connection in acc. with standard EN-VDE	
額定電流 I _n	Nominal Current I _n	16A
額定橫截面	Nominal Cross Section	1.5mm ²
最大負載電流	Maximum load current	16A
絕緣材料	Insulating Material	PA
阻燃等級,符合UL94	Inflammability class acc. to UL94	
		V0
額定電壓,UL/CUL	Nominal voltage, UL/CUL	
		300V
額定電流,UL/CUL	Nominal current, UL/CUL	
		16A



MA522 PCB Terminal Block, Modular



MA

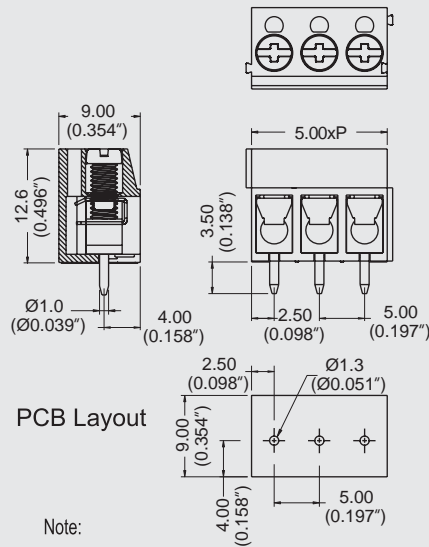
DIMENSIONS/POSITIONS

MA522-500M

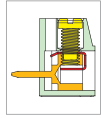
間距	Pitch	5.00mm
位數	Poles	2 ~ 3Poles
塑膠本體	Housing Material	PA 66
彈片	Spring	Brass, Tin Plated
端子	Contact	Brass, Tin Plated
螺紋	Screw Thread	M3.0, Steel, Zinc Plated
電線線徑	Wire Size	14 ~ 22AWG
剝線長度	Wire Strip Length	6mm ~ 7mm
PCB孔徑	PCB Hole Diameter	1.3mm
最大緊固扭矩	Tightening Torque, Max.	4.0 Lb-in
環境作業溫度	Operating Temperature	-40°C to +105°C

TECHNICAL DATA

連接符合標準 Connection in acc. with standard EN-VDE		
額定電流 I_n	Nominal Current I_n	16A
額定橫截面	Nominal Cross Section	2.5mm ²
最大負載電流	Maximum load current	16A
絕緣材料	Insulating Material	PA
阻燃等級,符合UL94 Inflammability class acc. to UL94		V0
額定電壓,UL/CUL Nominal voltage, UL/CUL		300V
額定電流,UL/CUL Nominal current, UL/CUL		16A



MA524 PCB Terminal Block, Modular



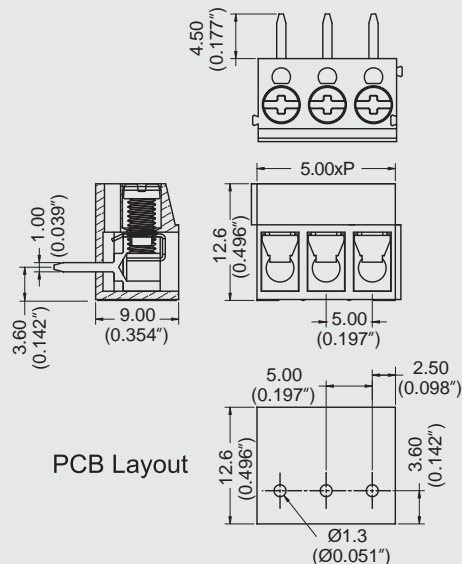
DIMENSIONS/POSITIONS

MA524-500M

間距	Pitch	5.00mm
位數	Poles	2 ~ 3Poles
塑膠本體	Housing Material	PA 66
彈片	Spring	Brass, Stainless Steel
端子	Contact	Stainless Steel
螺紋	Screw Thread	M2.0, Steel, Zinc Plated
電線線徑	Wire Size	14~22AWG
剝線長度	Wire Strip Length	4mm ~ 5mm
PCB孔徑	PCB Hole Diameter	1.3mm
最大緊固扭矩	Tightening Torque, Max.	4.0 Lb-in
環境作業溫度	Operating Temperature	-40°C to +105°C

TECHNICAL DATA

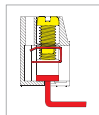
連接符合標準	Connection in acc. with standard EN-VDE	
額定電流 I _n	Nominal Current I _n	16A
額定橫截面	Nominal Cross Section	-
最大負載電流	Maximum load current	16A
絕緣材料	Insulating Material	PA
阻燃等級,符合UL94	Inflammability class acc. to UL94	V0
額定電壓,UL/CUL	Nominal voltage, UL/CUL	300V
額定電流,UL/CUL	Nominal current, UL/CUL	16A



Note:

Screw Plating: Changes are available upon request

MA525 PCB Terminal Block, Modular



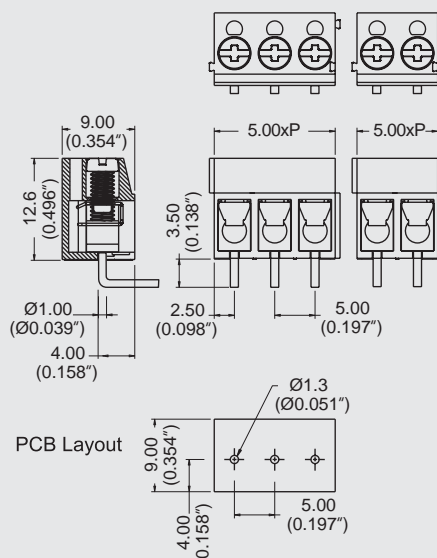
DIMENSIONS/POSITIONS

MA525-500M

間距	Pitch	5.00mm
位數	Poles	2 ~ 3Poles
塑膠本體	Housing Material	PA 66
彈片	Spring	Stainless Steel
端子	Contact	Brass, Tin Plated
螺紋	Screw Thread	M3.0, Steel, Zinc Plated
電線線徑	Wire Size	14 ~ 22AWG
PCB孔徑	PCB Hole Diameter	1.3mm
最大緊固扭矩	Tightening Torque, Max.	4.0 Lb-in
環境作業溫度	Operating Temperature	-40°C to +105°C

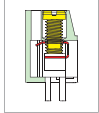
TECHNICAL DATA

連接符合標準 Connection in acc. with standard EN-VDE		
額定電流 I _n	Nominal Current I _n	16A
額定橫截面	Nominal Cross Section	1.5mm ²
最大負載電流	Maximum load current	16A
絕緣材料	Insulating Material	PA
阻燃等級,符合UL94 Inflammability class acc. to UL94		V0
額定電壓,UL/CUL Nominal voltage, UL/CUL		300V
額定電流,UL/CUL Nominal current, UL/CUL		16A



Note:
Screw Plating: Changes are available upon request

MA527 PCB Terminal Block, Modular



MA

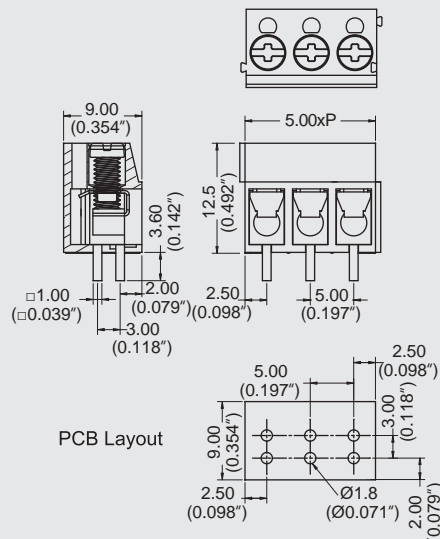
DIMENSIONS/POSITIONS

MA527-500M

間距	Pitch	5.00mm
位數	Poles	2 ~ 3Poles
塑膠本體	Housing Material	PA 66
彈片	Spring	Stainless Steel
端子	Contact	Brass, Tin Plated
螺紋	Screw Thread	M3.0, Steel, Zinc Plated
電線線徑	Wire Size	14~22AWG
剝線長度	Wire Strip Length	6mm ~ 7mm
PCB孔徑	PCB Hole Diameter	1.8mm
最大緊固扭矩	Tightening Torque, Max.	7.08 Lb-in
環境作業溫度	Operating Temperature	-40°C to +105°C

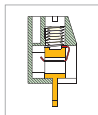
TECHNICAL DATA

連接符合標準 Connection in acc. with standard EN-VDE		
額定電流 I_n	Nominal Current I_n	16A
額定橫截面	Nominal Cross Section	1.5mm ²
最大負載電流	Maximum load current	16A
絕緣材料	Insulating Material	PA
阻燃等級,符合UL94 Inflammability class acc. to UL94		V0
額定電壓,UL/CUL Nominal voltage, UL/CUL		300V
額定電流,UL/CUL Nominal current, UL/CUL		16A



Note:
Screw Plating: Changes are available upon request

MA612 PCB Terminal Block, Modular



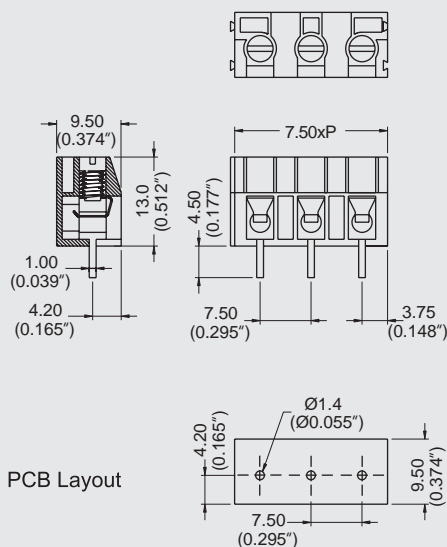
DIMENSIONS/POSITIONS

MA612-750M

間距	Pitch	7.50mm
位數	Poles	2 ~ 3Poles
塑膠本體	Housing Material	PA 66
彈片	Spring	Stainless Steel
端子	Contact	Brass, Tin Plated
螺紋	Screw Thread	M3.0, Steel, Zinc Plated
電線線徑	Wire Size	14 ~ 22AWG
PCB孔徑	PCB Hole Diameter	1.4mm
最大緊固扭矩	Tightening Torque, Max.	7.08 Lb-in
環境作業溫度	Operating Temperature	-40°C to +105°C

TECHNICAL DATA

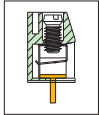
連接符合標準 Connection in acc. with standard EN-VDE		
額定電流 I _n	Nominal Current I _n	10A
額定橫截面	Nominal Cross Section	1.5mm ²
最大負載電流	Maximum load current	10A
絕緣材料	Insulating Material	PA
阻燃等級,符合UL94 Inflammability class acc. to UL94		V0
額定電壓,UL/CUL Nominal voltage, UL/CUL		300V
額定電流,UL/CUL Nominal current, UL/CUL		10A



PCB Layout

Note:
Screw Plating: Changes are available upon request

MA622 PCB Terminal Block, Modular



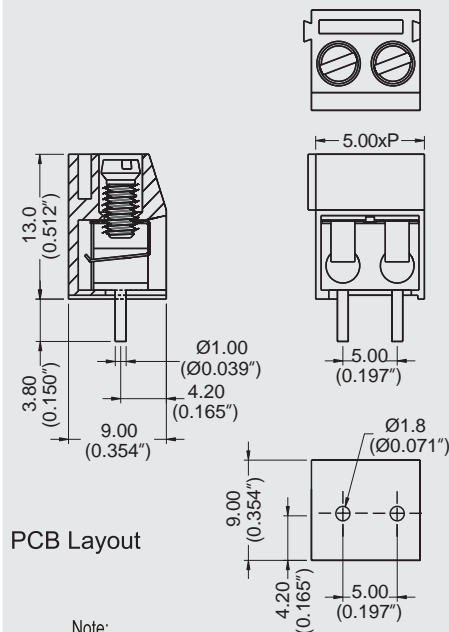
DIMENSIONS/POSITIONS

MA622-500M

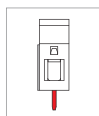
間距	Pitch	5.00mm
位數	Poles	2 ~ 3Poles
塑膠本體	Housing Material	PA 66
彈片	Spring	Stainless Steel
端子	Contact	Brass, Tin Plated
螺紋	Screw Thread	M3.0, Steel, Zinc Plated
電線線徑	Wire Size	14~22AWG
PCB孔徑	PCB Hole Diameter	1.8mm
最大緊固扭矩	Tightening Torque, Max.	4.0 Lb-in
環境作業溫度	Operating Temperature	-40°C to +105°C

TECHNICAL DATA

連接符合標準 Connection in acc. with standard EN-VDE		
額定電流 I _n	Nominal Current I _n	16A
額定橫截面	Nominal Cross Section	1.5mm ²
最大負載電流	Maximum load current	16A
絕緣材料	Insulating Material	PA
阻燃等級,符合UL94 Inflammability class acc. to UL94		V0
額定電壓,UL/CUL Nominal voltage, UL/CUL		300V
額定電流,UL/CUL Nominal current, UL/CUL		16A



MB102 PCB Terminal Block, Modular



MB

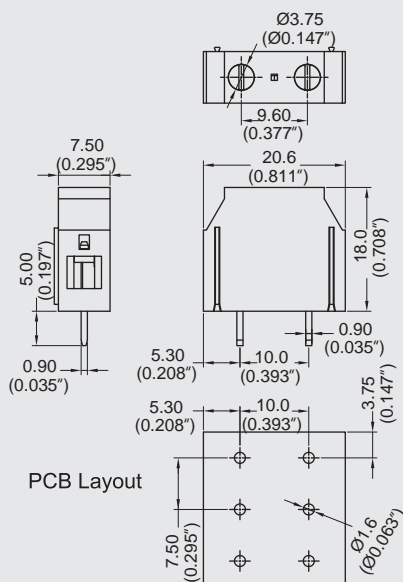
DIMENSIONS/POSITIONS

MB102-750M

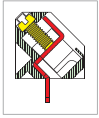
間距	Pitch	7.50mm
位數	Poles	1Poles
塑膠本體	Housing Material	PA 66
壓線圈	Cage Clamp	Brass, Ni Plated
端子	Contact	Brass, Tin Plated
螺紋	Screw Thread	M3.0, Steel, Zinc Plated
電線線徑	Wire Size	10 ~ 24AWG
剝線長度	Wire Strip Length	6mm ~ 7mm
PCB孔徑	PCB Hole Diameter	1.3mm
最大緊固扭矩	Tightening Torque, Max.	3.56 Lb-in
環境作業溫度	Operating Temperature	-40°C to +105°C

TECHNICAL DATA

連接符合標準	Connection in acc. with standard EN-VDE	
額定電流 I _n	Nominal Current I _n	30A
額定橫截面	Nominal Cross Section	4.0mm ²
最大負載電流	Maximum load current	30A
絕緣材料	Insulating Material	PA
阻燃等級,符合UL94	Inflammability class acc. to UL94	
		V0
額定電壓,UL/CUL	Nominal voltage, UL/CUL	
		300V
額定電流,UL/CUL	Nominal current, UL/CUL	
		30A



MB220 PCB Terminal Block, Modular



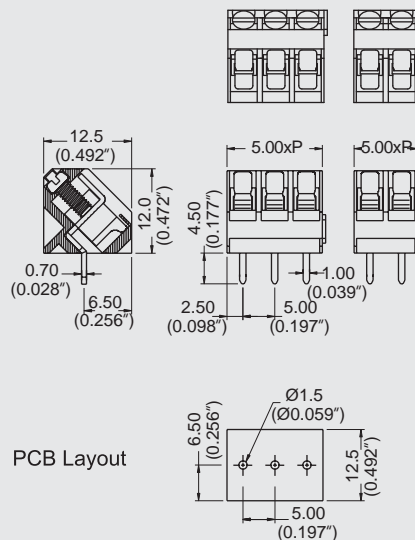
DIMENSIONS/POSITIONS

MB220-500M

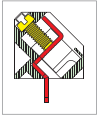
間距	Pitch	5.00mm
位數	Poles	2 ~ 3Poles
塑膠本體	Housing Material	PA 66
壓線圈	Cage Clamp	Steel, Ni Plated
端子	Contact	Brass, Tin Plated
螺紋	Screw Thread	M2.6, Steel, Zinc Plated
電線線徑	Wire Size	12 ~ 24AWG
剝線長度	Wire Strip Length	6mm ~ 7mm
PCB孔徑	PCB Hole Diameter	1.5mm
最大緊固扭矩	Tightening Torque, Max.	3.5 Lb-in
環境作業溫度	Operating Temperature	-40°C to +105°C

TECHNICAL DATA

連接符合標準	Connection in acc. with standard EN-VDE	
額定電流 I_n	Nominal Current I_n	10A
額定橫截面	Nominal Cross Section	2.5mm ²
最大負載電流	Maximum load current	10A
絕緣材料	Insulating Material	PA
阻燃等級,符合UL94 Inflammability class acc. to UL94		V0
額定電壓,UL/CUL Nominal voltage, UL/CUL		300V
額定電流,UL/CUL Nominal current, UL/CUL		10A



MB223 PCB Terminal Block, Modular



MB

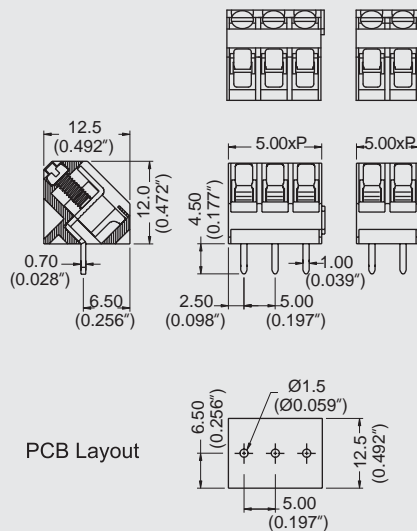
DIMENSIONS/POSITIONS

MB223-500M

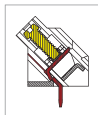
間距	Pitch	5.00mm
位數	Poles	2~3Poles
塑膠本體	Housing Material	PA 66
壓線圈	Cage Clamp	Brass, Tin Plated
端子	Contact	Brass, Tin Plated
螺紋	Screw Thread	M2.6, Steel, Zinc Plated
電線線徑	Wire Size	12 ~ 24AWG
剝線長度	Wire Strip Length	6mm ~ 7mm
PCB孔徑	PCB Hole Diameter	1.5mm
最大緊固扭矩	Tightening Torque, Max.	3.5 Lb-in
環境作業溫度	Operating Temperature	-40°C to +105°C

TECHNICAL DATA

連接符合標準	Connection in acc. with standard EN-VDE	
額定電流 I_n	Nominal Current I_n	10A
額定橫截面	Nominal Cross Section	2.5mm ²
最大負載電流	Maximum load current	10A
絕緣材料	Insulating Material	PA
阻燃等級,符合UL94 Inflammability class acc. to UL94		V0
額定電壓,UL/CUL Nominal voltage, UL/CUL		300V
額定電流,UL/CUL Nominal current, UL/CUL		10A



MB250 PCB Terminal Block, Modular



MB

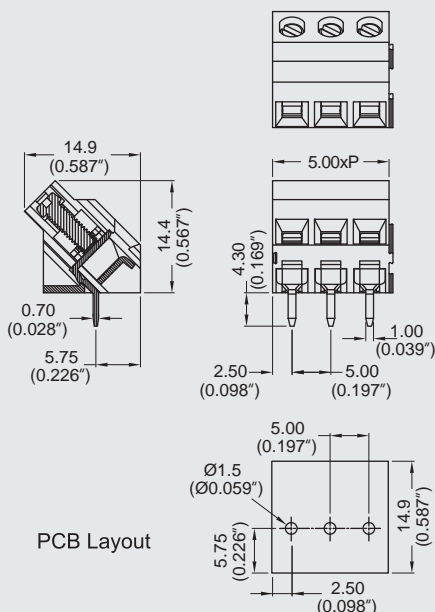
DIMENSIONS/POSITIONS

MB250-500M

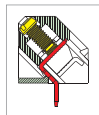
間距	Pitch	5.00mm
位數	Poles	2 ~ 3Poles
塑膠本體	Housing Material	PA 66
壓線圈	Cage Clamp	Steel, Ni Plated
端子	Contact	Brass, Tin Plated
螺紋	Screw Thread	M2.6, Steel, Zinc Plated
電線線徑	Wire Size	12 ~ 24AWG
剝線長度	Wire Strip Length	5.5mm ~ 6.5mm
PCB孔徑	PCB Hole Diameter	1.5mm
最大緊固扭矩	Tightening Torque, Max.	5.0 Lb-in
環境作業溫度	Operating Temperature	-40°C to +105°C

TECHNICAL DATA

連接符合標準	Connection in acc. with standard EN-VDE	
額定電流 I_n	Nominal Current I_n	10A
額定橫截面	Nominal Cross Section	2.5mm ²
最大負載電流	Maximum load current	10A
絕緣材料	Insulating Material	PA
阻燃等級,符合UL94	Inflammability class acc. to UL94	V0
額定電壓,UL/CUL	Nominal voltage, UL/CUL	300V
額定電流,UL/CUL	Nominal current, UL/CUL	10A



MB260 PCB Terminal Block, Modular



MB

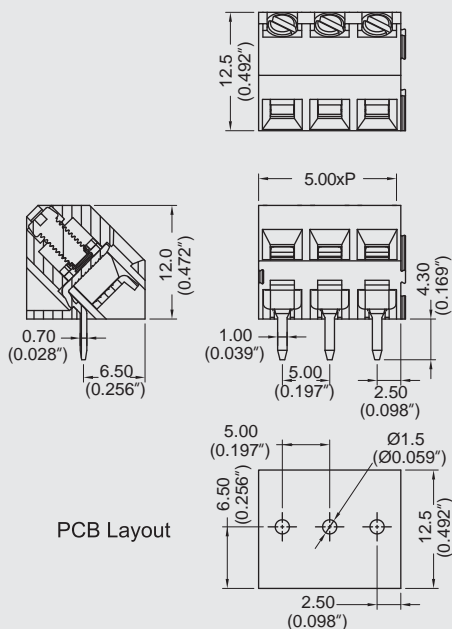
DIMENSIONS/POSITIONS

MB260-500M

間距	Pitch	5.00mm
位數	Poles	2 ~ 3Poles
塑膠本體	Housing Material	PA 66
壓線圈	Cage Clamp	Steel, Ni Plated
端子	Contact	Brass, Tin Plated
螺紋	Screw Thread	M2.6, Steel, Zinc Plated
電線線徑	Wire Size	12 ~ 24AWG
剝線長度	Wire Strip Length	5.5mm ~ 6.5mm
PCB孔徑	PCB Hole Diameter	1.5mm
最大緊固扭矩	Tightening Torque, Max.	7.0 Lb-in
環境作業溫度	Operating Temperature	-40°C to +105°C

TECHNICAL DATA

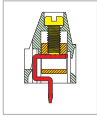
連接符合標準 Connection in acc. with standard EN-VDE		
額定電流 I _n	Nominal Current I _n	10A
額定橫截面	Nominal Cross Section	2.5mm ²
最大負載電流	Maximum load current	10A
絕緣材料	Insulating Material	PA
阻燃等級,符合UL94 Inflammability class acc. to UL94		V0
額定電壓,UL/CUL Nominal voltage, UL/CUL		300V
額定電流,UL/CUL Nominal current, UL/CUL		10A



MB310 PCB Terminal Block, Single Mold /Modular



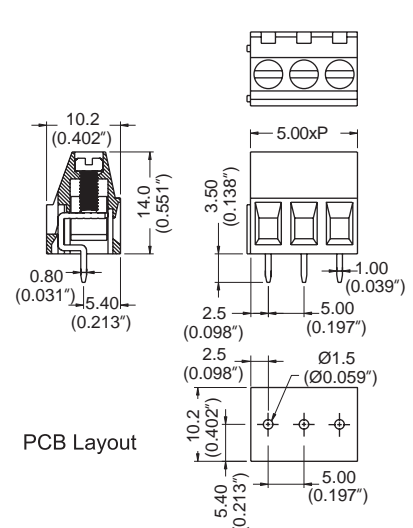
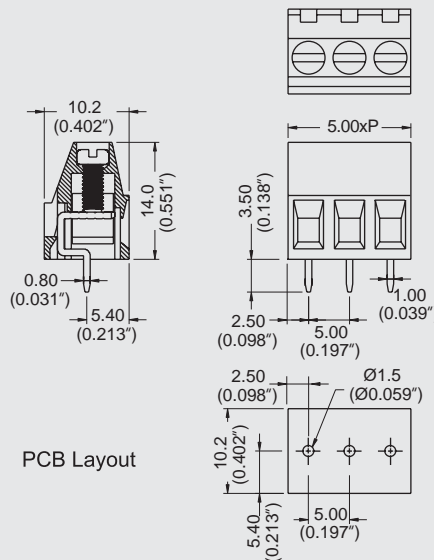
MB



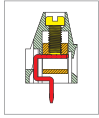
DIMENSIONS/POSITIONS		MB310-500	MB310-500M
間距	Pitch	5.00mm	5.00mm
位數	Poles	2 ~ 24Poles	2 ~ 3Poles
塑膠本體	Housing Material	PA 66	PA 66
壓線圈	Cage Clamp	Steel	Steel
端子	Contact	Brass, Tin Plated	Brass, Tin Plated
螺紋	Screw Thread	M2.6, Steel, Zinc Plated	M2.6, Steel, Zinc Plated
電線線徑	Wire Size	12 ~ 26AWG	12 ~ 26AWG
剝線長度	Wire Strip Length	5.5mm ~ 6.5mm	7mm
PCB孔徑	PCB Hole Diameter	1.5mm	1.5mm
最大緊固扭矩	Tightening Torque, Max.	7.0 Lb-in	7.0 Lb-in
環境作業溫度	Operating Temperature	-40°C to +105°C	-40°C to +105°C

TECHNICAL DATA

連接符合標準 Connection in acc. with standard EN-VDE			
額定電流 I _n	Nominal Current I _n	16A	16A
額定橫截面	Nominal Cross Section	4.0mm ²	4.0mm ²
最大負載電流	Maximum load current	16A	16A
絕緣材料	Insulating Material	PA	PA
阻燃等級,符合UL94 Inflammability class acc. to UL94		V0	V0
額定電壓,UL/CUL Nominal voltage, UL/CUL		300V	300V
額定電流,UL/CUL Nominal current, UL/CUL		16A	16A



MB310 PCB Terminal Block, Single Mold /Modular

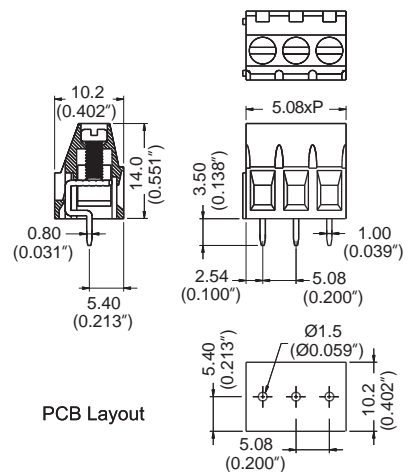
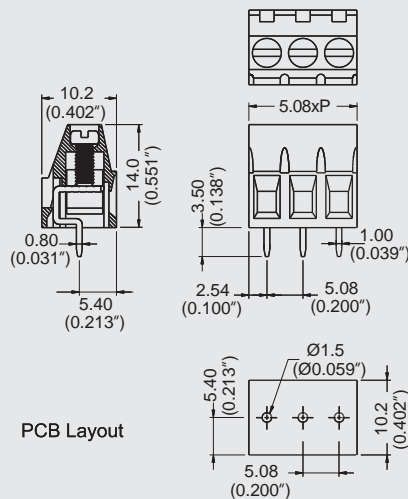


MB

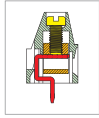
DIMENSIONS/POSITIONS		MB310-508	MB310-508M
間距	Pitch	5.08mm	5.08mm
位數	Poles	2 ~ 24Poles	2 ~ 3Poles
塑膠本體	Housing Material	PA 66	PA 66
壓線圈	Cage Clamp	Steel	Steel
端子	Contact	Brass, Tin Plated	Brass, Tin Plated
螺紋	Screw Thread	M2.6, Steel, Zinc Plated	M2.6, Steel, Zinc Plated
電線線徑	Wire Size	12 ~ 26AWG	12 ~ 26AWG
剝線長度	Wire Strip Length	7mm	7mm
PCB孔徑	PCB Hole Diameter	1.5mm	1.5mm
最大緊固扭矩	Tightening Torque, Max.	7.0 Lb-in	7.0 Lb-in
環境作業溫度	Operating Temperature	-40°C to +105°C	-40°C to +105°C

TECHNICAL DATA

連接符合標準 Connection in acc. with standard EN-VDE			
額定電流 I _n	Nominal Current I _n	16A	16A
額定橫截面	Nominal Cross Section	4.0mm ²	4.0mm ²
最大負載電流	Maximum load current	16A	16A
絕緣材料	Insulating Material	PA	PA
阻燃等級,符合UL94 Inflammability class acc. to UL94		V0	V0
額定電壓,UL/CUL Nominal voltage, UL/CUL		300V	300V
額定電流,UL/CUL Nominal current, UL/CUL		16A	16A



MB310 PCB Terminal Block, Single Mold /Modular

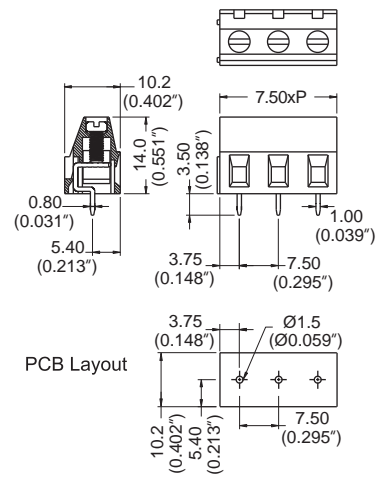
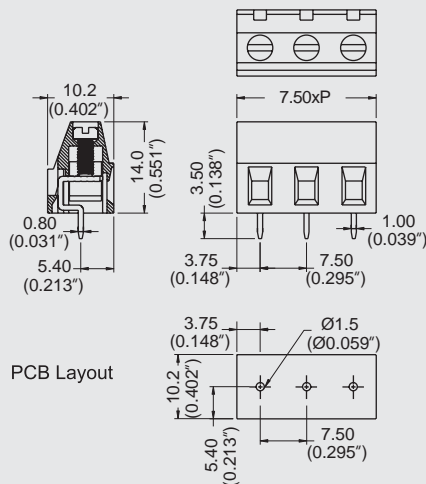


DIMENSIONS/POSITIONS

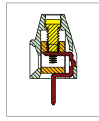
DIMENSIONS/POSITIONS		MB310-750	MB310-750M
間距	Pitch	7.50mm	7.50mm
位數	Poles	2 ~ 24Poles	2 ~ 3Poles
塑膠本體	Housing Material	PA 66	PA 66
壓線圈	Cage Clamp	Steel	Steel
端子	Contact	Brass, Tin Plated	Brass, Tin Plated
螺紋	Screw Thread	M2.6, Steel, Zinc Plated	M2.6, Steel, Zinc Plated
電線線徑	Wire Size	12 ~ 26AWG	12 ~ 26AWG
剝線長度	Wire Strip Length	7mm	7mm
PCB孔徑	PCB Hole Diameter	1.5mm	1.5mm
最大緊固扭矩	Tightening Torque, Max.	7.0 Lb-in	7.0 Lb-in
環境作業溫度	Operating Temperature	-40°C to +105°C	-40°C to +105°C

TECHNICAL DATA

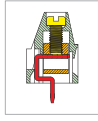
連接符合標準 Connection in acc. with standard EN-VDE			
額定電流 I _n	Nominal Current I _n	16A	16A
額定橫截面	Nominal Cross Section	4.0mm ²	4.0mm ²
最大負載電流	Maximum load current	16A	16A
絕緣材料	Insulating Material	PA	PA
阻燃等級,符合UL94 Inflammability class acc. to UL94		V0	V0
額定電壓,UL/CUL Nominal voltage, UL/CUL		300V	300V
額定電流,UL/CUL Nominal current, UL/CUL		16A	16A



MB312 PCB Terminal Block, Single Mold



MB312-254



MB312-500

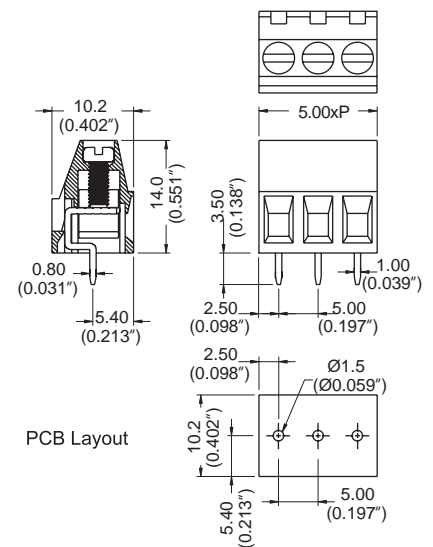
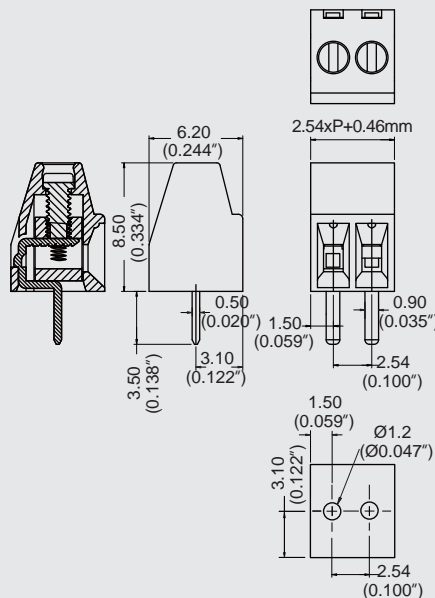


MB

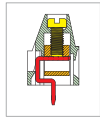
DIMENSIONS/POSITIONS		MB312-254	MB312-500
間距	Pitch	2.54mm	5.00mm
位數	Poles	2 ~ 24Poles	2 ~ 24Poles
塑膠本體	Housing Material	PA 66	PA 66
壓線圈	Cage Clamp	Brass, Ni Plated	Brass, Ni Plated
端子	Contact	Brass, Tin Plated	Brass, Tin Plated
螺紋	Screw Thread	M1.6, Steel, Zinc Plated	M2.6, Steel, Zinc Plated
電線線徑	Wire Size	20 ~ 26AWG	12 ~ 26AWG
剝線長度	Wire Strip Length	4.5mm	7mm
PCB孔徑	PCB Hole Diameter	1.2mm	1.5mm
最大緊固扭矩	Tightening Torque, Max.	1.32 Lb-in	5.0 Lb-in
環境作業溫度	Operating Temperature	-40°C to +105°C	-40°C to +105°C

TECHNICAL DATA

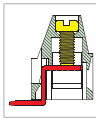
連接符合標準 Connection in acc. with standard EN-VDE			
額定電流 I _n	Nominal Current I _n	6A	16A
額定橫截面	Nominal Cross Section	2.5mm ²	2.5mm ²
最大負載電流	Maximum load current	6A	16A
絕緣材料	Insulating Material	PA	PA
阻燃等級,符合UL94 Inflammability class acc. to UL94		V0	V0
額定電壓,UL/CUL Nominal voltage, UL/CUL		125V	300V
額定電流,UL/CUL Nominal current, UL/CUL		6A	16A



MB312 PCB Terminal Block, Modular



MB312-500M



MB312-500M..W

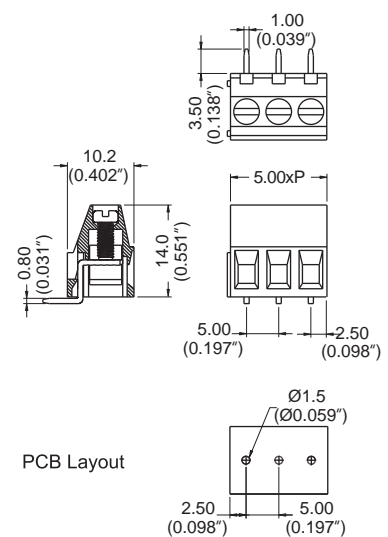
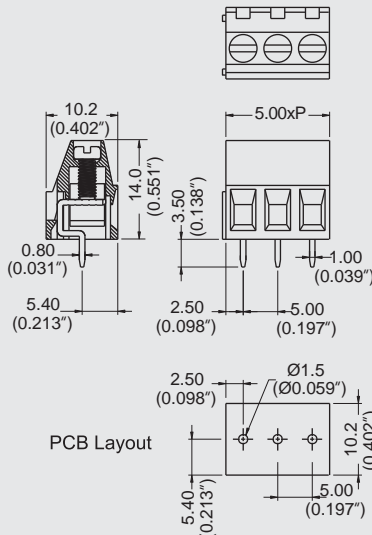


DIMENSIONS/POSITIONS

DIMENSIONS/POSITIONS		MB312-500M	MB312-500M..W
間距	Pitch	5.00mm	5.00mm
位數	Poles	2 ~ 3Poles	2 ~ 3Poles
塑膠本體	Housing Material	PA 66	PA 66
壓線圈	Cage Clamp	Brass, Ni Plated	Brass, Ni Plated
端子	Contact	Brass, Tin Plated	Brass, Tin Plated
螺紋	Screw Thread	M2.6, Steel, Zinc Plated	M2.6, Steel, Zinc Plated
電線線徑	Wire Size	12 ~ 26AWG	12 ~ 26AWG
剝線長度	Wire Strip Length	7mm	7mm
PCB孔徑	PCB Hole Diameter	1.5mm	1.5mm
最大緊固扭矩	Tightening Torque, Max.	5.0 Lb-in	5.0 Lb-in
環境作業溫度	Operating Temperature	-40°C to +105°C	-40°C to +105°C

TECHNICAL DATA

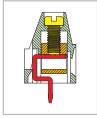
連接符合標準 Connection in acc. with standard EN-VDE			
額定電流 I_n	Nominal Current I_n	16A	16A
額定橫截面	Nominal Cross Section	2.5mm ²	2.5mm ²
最大負載電流	Maximum load current	16A	16A
絕緣材料	Insulating Material	PA	PA
阻燃等級,符合UL94 Inflammability class acc. to UL94		V0	V0
額定電壓,UL/CUL Nominal voltage, UL/CUL		300V	300V
額定電流,UL/CUL Nominal current, UL/CUL		16A	16A



MB312 PCB Terminal Block, Single Mold /Modular



MB

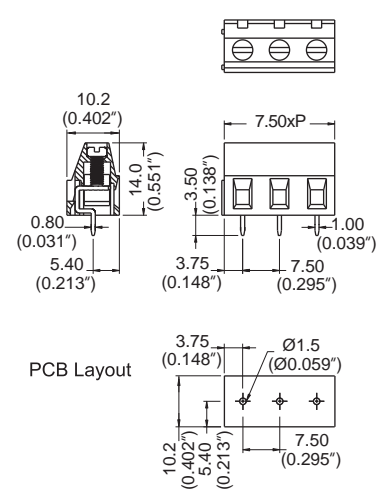
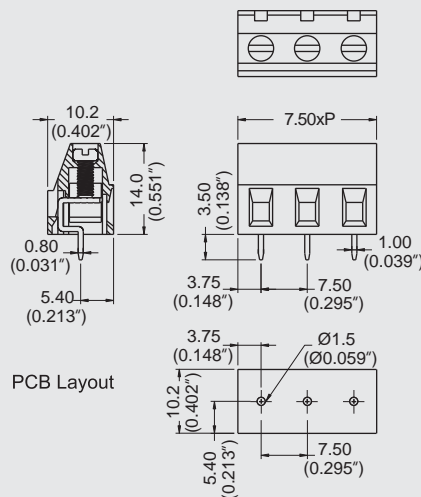


DIMENSIONS/POSITIONS

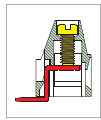
DIMENSIONS/POSITIONS		MB312-750	MB312-750M
間距	Pitch	7.50mm	7.50mm
位數	Poles	2 ~ 24Poles	2 ~ 3Poles
塑膠本體	Housing Material	PA 66	PA 66
壓線圈	Cage Clamp	Brass, Ni Plated	Brass, Ni Plated
端子	Contact	Brass, Tin Plated	Brass, Tin Plated
螺紋	Screw Thread	M2.6, Steel, Zinc Plated	M2.6, Steel, Zinc Plated
電線線徑	Wire Size	12 ~ 26AWG	12 ~ 26AWG
剝線長度	Wire Strip Length	7mm	7mm
PCB孔徑	PCB Hole Diameter	1.5mm	1.5mm
最大緊固扭矩	Tightening Torque, Max.	5.0 Lb-in	5.0 Lb-in
環境作業溫度	Operating Temperature	-40°C to +105°C	-40°C to +105°C

TECHNICAL DATA

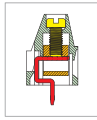
連接符合標準 Connection in acc. with standard EN-VDE			
額定電流 I _n	Nominal Current I _n	16A	16A
額定橫截面	Nominal Cross Section	2.5mm ²	2.5mm ²
最大負載電流	Maximum load current	16A	16A
絕緣材料	Insulating Material	PA	PA
阻燃等級,符合UL94 Inflammability class acc. to UL94		V0	V0
額定電壓,UL/CUL Nominal voltage, UL/CUL		300V	300V
額定電流,UL/CUL Nominal current, UL/CUL		16A	16A



MB312 PCB Terminal Block, Modular



MB312-750M..W



MB312-762M

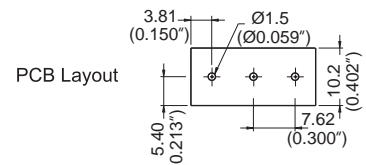
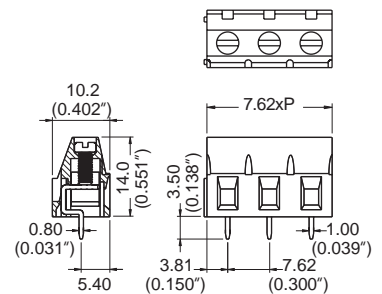
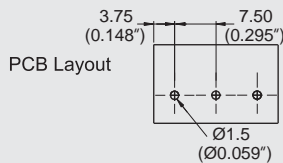
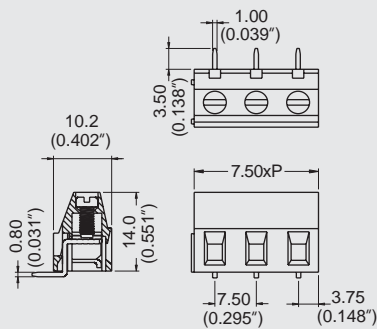


MB

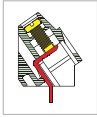
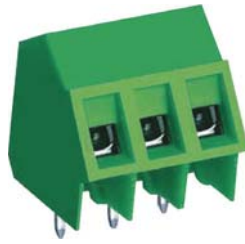
DIMENSIONS/POSITIONS		MB312-750M..W	MB312-762M
間距	Pitch	7.50mm	7.62mm
位數	Poles	2 ~ 3Poles	2 ~ 3Poles
塑膠本體	Housing Material	PA 66	PA 66
壓線圈	Cage Clamp	Brass, Ni Plated	Brass, Ni Plated
端子	Contact	Brass, Tin Plated	Brass, Tin Plated
螺紋	Screw Thread	M2.6, Steel, Zinc Plated	M2.6, Steel, Zinc Plated
電線線徑	Wire Size	12 ~ 26AWG	12 ~ 26AWG
剝線長度	Wire Strip Length	7mm	7mm
PCB孔徑	PCB Hole Diameter	1.5mm	1.5mm
最大緊固扭矩	Tightening Torque, Max.	5.0 Lb-in	5.0 Lb-in
環境作業溫度	Operating Temperature	-40°C to +105°C	-40°C to +105°C

TECHNICAL DATA

連接符合標準 Connection in acc. with standard EN-VDE			
額定電流 I _n	Nominal Current I _n	16A	16A
額定橫截面	Nominal Cross Section	2.5mm ²	2.5mm ²
最大負載電流	Maximum load current	16A	16A
絕緣材料	Insulating Material	PA	PA
阻燃等級,符合UL94 Inflammability class acc. to UL94		V0	V0
額定電壓,UL/CUL Nominal voltage, UL/CUL		300V	300V
額定電流,UL/CUL Nominal current, UL/CUL		16A	16A



MB322 PCB Terminal Block, Single Mold /Modular

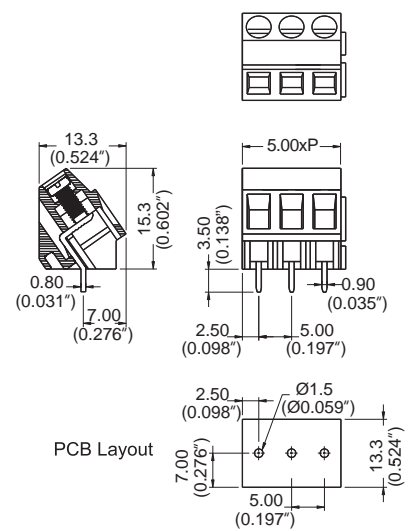
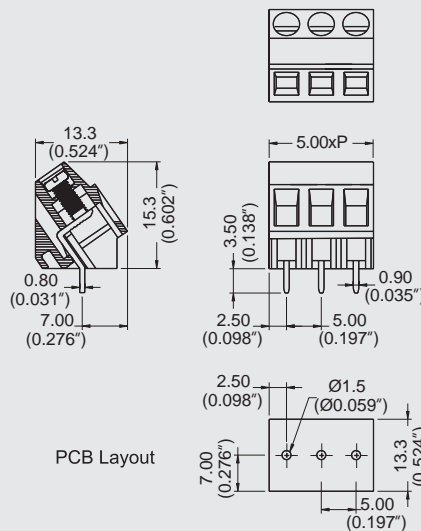


DIMENSIONS/POSITIONS

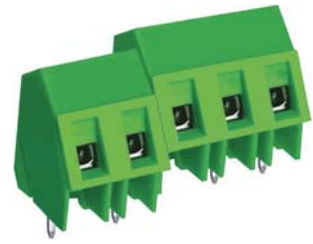
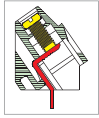
DIMENSIONS/POSITIONS		MB322-500	MB322-500M
間距	Pitch	5.00mm	5.00mm
位數	Poles	2 ~ 24Poles	2 ~ 3Poles
塑膠本體	Housing Material	PA 66	PA 66
壓線圈	Cage Clamp	Brass, Ni Plated	Brass, Ni Plated
端子	Contact	Brass, Tin Plated	Brass, Tin Plated
螺紋	Screw Thread	M2.6, Steel, Zinc Plated	M2.6, Steel, Zinc Plated
電線線徑	Wire Size	12 ~ 26AWG	12 ~ 26AWG
剝線長度	Wire Strip Length	7mm	7mm
PCB孔徑	PCB Hole Diameter	1.5mm	1.5mm
最大緊固扭矩	Tightening Torque, Max.	5.0 Lb-in	5.0 Lb-in
環境作業溫度	Operating Temperature	-40°C to +105°C	-40°C to +105°C

TECHNICAL DATA

連接符合標準 Connection in acc. with standard EN-VDE			
額定電流 I _n	Nominal Current I _n	16A	16A
額定橫截面	Nominal Cross Section	2.5mm ²	2.5mm ²
最大負載電流	Maximum load current	16A	16A
絕緣材料	Insulating Material	PA	PA
阻燃等級,符合UL94 Inflammability class acc. to UL94		V0	V0
額定電壓,UL/CUL Nominal voltage, UL/CUL		300V	300V
額定電流,UL/CUL Nominal current, UL/CUL		16A	16A



MB322 PCB Terminal Block, Modular

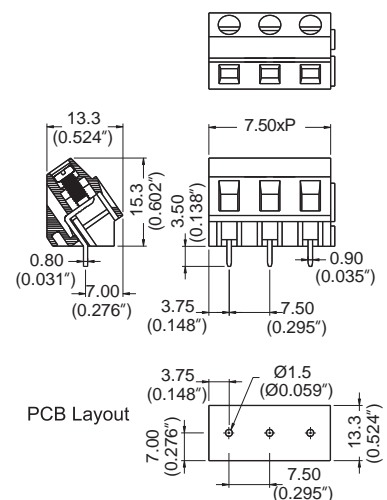
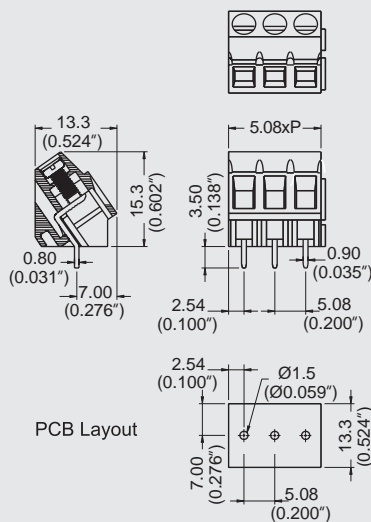


MB

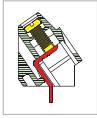
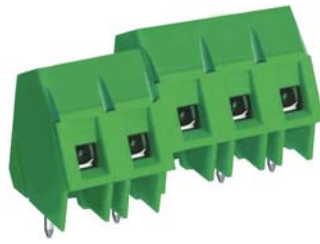
DIMENSIONS/POSITIONS		MB322-508M	MB322-750M
間距	Pitch	5.08mm	7.50mm
位數	Poles	2 ~ 3Poles	2 ~ 3Poles
塑膠本體	Housing Material	PA 66	PA 66
壓線圈	Cage Clamp	Brass, Ni Plated	Brass, Ni Plated
端子	Contact	Brass, Tin Plated	Brass, Tin Plated
螺紋	Screw Thread	M2.6, Steel, Zinc Plated	M2.6, Steel, Zinc Plated
電線線徑	Wire Size	12 ~ 26AWG	12 ~ 26AWG
剝線長度	Wire Strip Length	7mm	7mm
PCB孔徑	PCB Hole Diameter	1.5mm	1.5mm
最大緊固扭矩	Tightening Torque, Max.	5.0 Lb-in	5.0 Lb-in
環境作業溫度	Operating Temperature	-40°C to +105°C	-40°C to +105°C

TECHNICAL DATA

連接符合標準 Connection in acc. with standard EN-VDE			
額定電流 I _n	Nominal Current I _n	16A	16A
額定橫截面	Nominal Cross Section	2.5mm ²	2.5mm ²
最大負載電流	Maximum load current	16A	16A
絕緣材料	Insulating Material	PA	PA
阻燃等級,符合UL94 Inflammability class acc. to UL94		V0	V0
額定電壓,UL/CUL Nominal voltage, UL/CUL		300V	300V
額定電流,UL/CUL Nominal current, UL/CUL		16A	16A



MB322 PCB Terminal Block, Modular



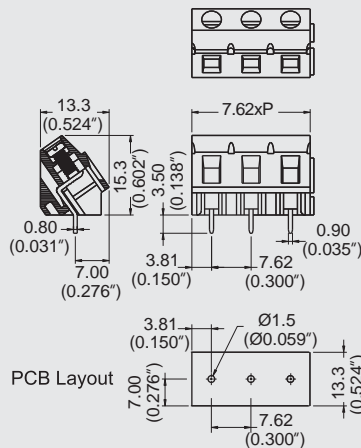
DIMENSIONS/POSITIONS

MB322-762M

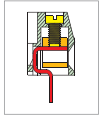
間距	Pitch	7.62mm
位數	Poles	2 ~ 3Poles
塑膠本體	Housing Material	PA 66
壓線圈	Cage Clamp	Brass, Ni Plated
端子	Contact	Brass, Tin Plated
螺紋	Screw Thread	M2.6, Steel, Zinc Plated
電線線徑	Wire Size	12 ~ 26AWG
剝線長度	Wire Strip Length	7mm
PCB孔徑	PCB Hole Diameter	1.5mm
最大緊固扭矩	Tightening Torque, Max.	5.0 Lb-in
環境作業溫度	Operating Temperature	-40°C to +105°C

TECHNICAL DATA

連接符合標準	Connection in acc. with standard EN-VDE	
額定電流 I _n	Nominal Current I _n	16A
額定橫截面	Nominal Cross Section	2.5mm ²
最大負載電流	Maximum load current	16A
絕緣材料	Insulating Material	PA
阻燃等級,符合UL94 Inflammability class acc. to UL94		V0
額定電壓,UL/CUL Nominal voltage, UL/CUL		300V
額定電流,UL/CUL Nominal current, UL/CUL		16A



MB332 PCB Terminal Block, Modular / Single Mold

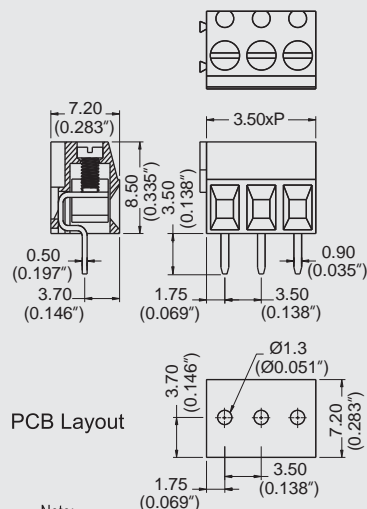


MB

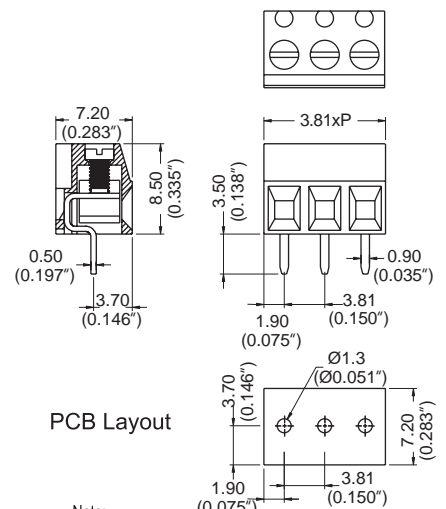
DIMENSIONS/POSITIONS		MB332-350M	MB332-381
間距	Pitch	3.50mm	3.81mm
位數	Poles	2 ~ 3Poles	2 ~ 24Poles
塑膠本體	Housing Material	PA 66	PA 66
壓線圈	Cage Clamp	Brass, Ni Plated	Brass, Ni Plated
端子	Contact	Brass, Tin Plated	Brass, Tin Plated
螺紋	Screw Thread	M2.0, Steel, Zinc Plated	M2.0, Steel, Zinc Plated
電線線徑	Wire Size	16 ~ 26AWG	16 ~ 26AWG
剝線長度	Wire Strip Length	5mm	5mm
PCB孔徑	PCB Hole Diameter	1.3mm	1.3mm
最大緊固扭矩	Tightening Torque, Max.	1.5 Lb-in	3.0 Lb-in
環境作業溫度	Operating Temperature	-40°C to +105°C	-40°C to +105°C

TECHNICAL DATA

連接符合標準 Connection in acc. with standard EN-VDE			
額定電流 I _n	Nominal Current I _n	10A	8A
額定橫截面	Nominal Cross Section	1.5mm ²	1.5mm ²
最大負載電流	Maximum load current	10A	8A
絕緣材料	Insulating Material	PA	PA
阻燃等級,符合UL94 Inflammability class acc. to UL94		V0	V0
額定電壓,UL/CUL Nominal voltage, UL/CUL		300V	300V
額定電流,UL/CUL Nominal current, UL/CUL		10A	8A



Note:
Screw Plating: Changes are available upon request

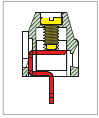


Note:
Screw Plating: Changes are available upon request

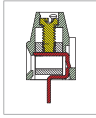
MB332 PCB Terminal Block, Single Mold



MB



MB332-381A



MB332-381A..H

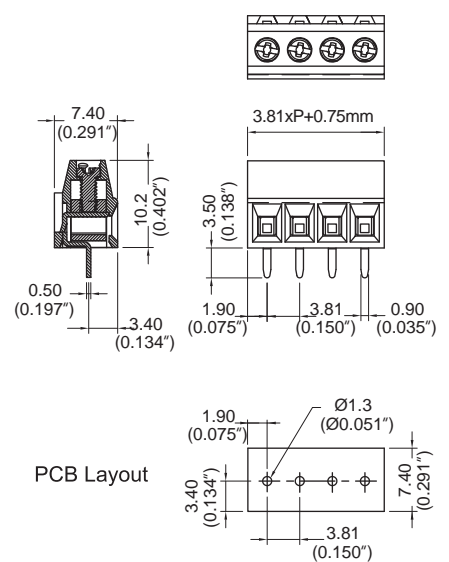
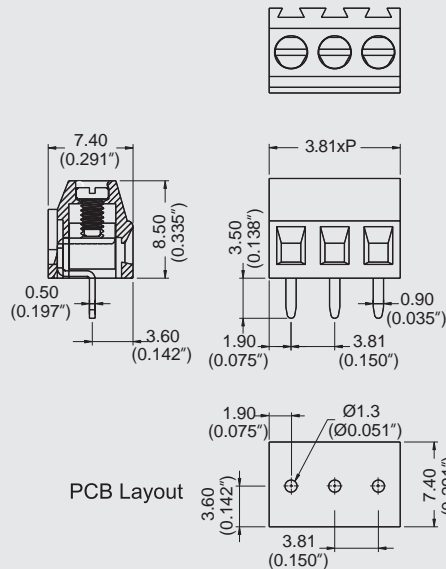


DIMENSIONS/POSITIONS

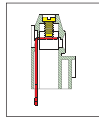
DIMENSIONS/POSITIONS		MB332-381A	MB332-381A..H
間距	Pitch	3.81mm	3.81mm
位數	Poles	2 ~ 24Poles	2 ~ 16Poles
塑膠本體	Housing Material	PA 66	PA 66
壓線圈	Cage Clamp	Brass, Tin Plated	Brass, Tin Plated
端子	Contact	Brass, Ni Plated	Brass, Ni Plated
螺紋	Screw Thread	M2.0, Steel, Zinc Plated	M2.0, Steel, Zinc Plated
電線線徑	Wire Size	16 ~ 26AWG	16 ~ 26AWG
剝線長度	Wire Strip Length	5mm	5mm
PCB孔徑	PCB Hole Diameter	1.3mm	1.3mm
最大緊固扭矩	Tightening Torque, Max.	2.0 Lb-in	2.0 Lb-in
環境作業溫度	Operating Temperature	-40°C to +105°C	-40°C to +105°C

TECHNICAL DATA

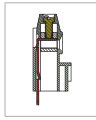
連接符合標準 Connection in acc. with standard EN-VDE			
額定電流 I _n	Nominal Current I _n	10A	10A
額定橫截面	Nominal Cross Section	1.5mm ²	1.5mm ²
最大負載電流	Maximum load current	10A	10A
絕緣材料	Insulating Material	PA	PA
阻燃等級,符合UL94 Inflammability class acc. to UL94		V0	V0
額定電壓,UL/CUL Nominal voltage, UL/CUL		300V	300V
額定電流,UL/CUL Nominal current, UL/CUL		10A	10A



MB332 PCB Terminal Block, Single Mold



MB332-381B



MB332-381B..H



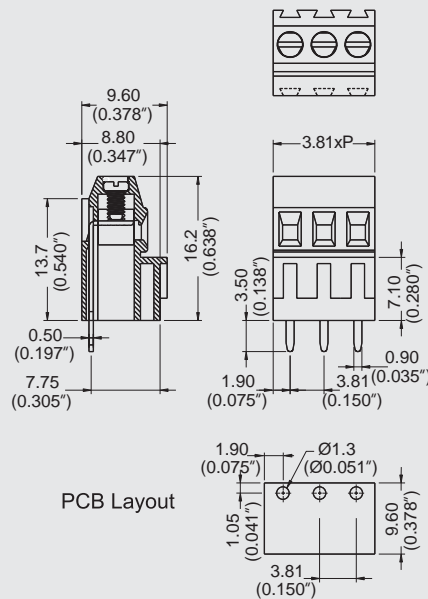
MB

DIMENSIONS/POSITIONS

DIMENSIONS/POSITIONS		MB332-381B	MB332-381B..H
間距	Pitch	3.81mm	3.81mm
位數	Poles	2 ~ 24Poles	2 ~ 16Poles
塑膠本體	Housing Material	PA 66	PA 66
壓線圈	Cage Clamp	Brass, Tin Plated	Brass, Tin Plated
端子	Contact	Brass, Ni Plated	Brass, Ni Plated
螺紋	Screw Thread	M2.0, Steel, Zinc Plated	M2.0, Steel, Zinc Plated
電線線徑	Wire Size	16 ~ 26AWG	14 ~ 30AWG
剝線長度	Wire Strip Length	5mm	5mm
PCB孔徑	PCB Hole Diameter	1.3mm	1.3mm
最大緊固扭矩	Tightening Torque, Max.	2.0 Lb-in	2.0 Lb-in
環境作業溫度	Operating Temperature	-40°C to +105°C	-40°C to +105°C

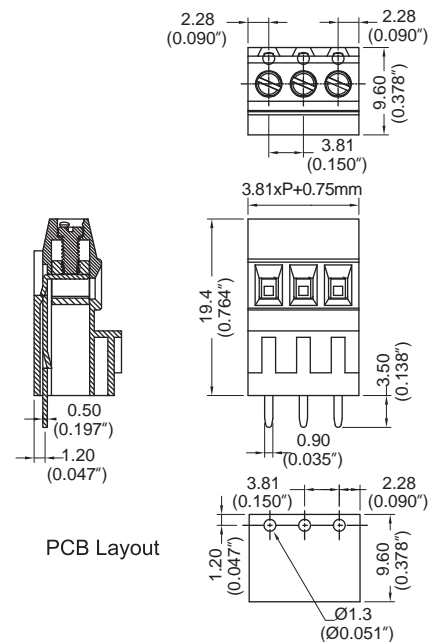
TECHNICAL DATA

連接符合標準 Connection in acc. with standard EN-VDE			
額定電流 I _n	Nominal Current I _n	10A	10A
額定橫截面	Nominal Cross Section	1.5mm ²	1.5mm ²
最大負載電流	Maximum load current	10A	10A
絕緣材料	Insulating Material	PA	PA
阻燃等級,符合UL94 Inflammability class acc. to UL94		V0	V0
額定電壓,UL/CUL Nominal voltage, UL/CUL		300V	300V
額定電流,UL/CUL Nominal current, UL/CUL		10A	10A



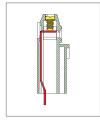
PCB Layout

Note:
Screw Plating: Changes are available upon request

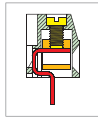


PCB Layout

MB332 PCB Terminal Block, Single Mold /Modular



MB332-381C



MB332-381M

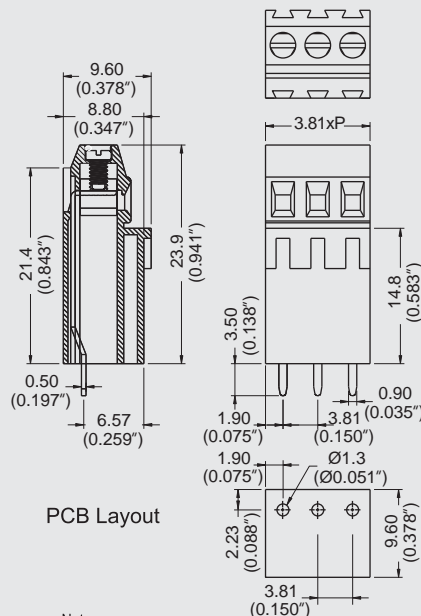


DIMENSIONS/POSITIONS

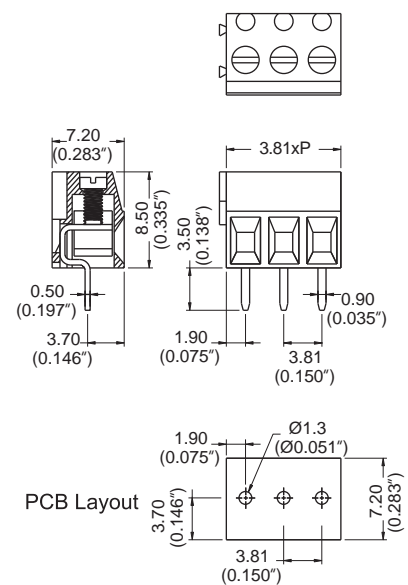
DIMENSIONS/POSITIONS		MB332-381C	MB332-381M
間距	Pitch	3.81mm	3.81mm
位數	Poles	2 ~ 16Poles	2 ~ 3Poles
塑膠本體	Housing Material	PA 66	PA 66
壓線圈	Cage Clamp	Brass, Ni Plated	Brass, Ni Plated
端子	Contact	Brass, Tin Plated	Brass, Tin Plated
螺紋	Screw Thread	M2.0, Steel, Zinc Plated	M2.0, Steel, Zinc Plated
電線線徑	Wire Size	16 ~ 26AWG	16 ~ 26AWG
剝線長度	Wire Strip Length	5mm	5mm
PCB孔徑	PCB Hole Diameter	1.3mm	1.3mm
最大緊固扭矩	Tightening Torque, Max.	2.0 Lb-in	3.0 Lb-in
環境作業溫度	Operating Temperature	-40°C to +105°C	-40°C to +105°C

TECHNICAL DATA

連接符合標準 Connection in acc. with standard EN-VDE			
額定電流 I _n	Nominal Current I _n	10A	8A
額定橫截面	Nominal Cross Section	1.5mm ²	1.5mm ²
最大負載電流	Maximum load current	10A	8A
絕緣材料	Insulating Material	PA	PA
阻燃等級,符合UL94 Inflammability class acc. to UL94		V0	V0
額定電壓,UL/CUL Nominal voltage, UL/CUL		300V	300V
額定電流,UL/CUL Nominal current, UL/CUL		10A	8A

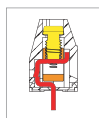


Note:
Screw Plating: Changes are available upon request



Note:
Screw Plating: Changes are available upon request

MB342 PCB Terminal Block, Modular



MB

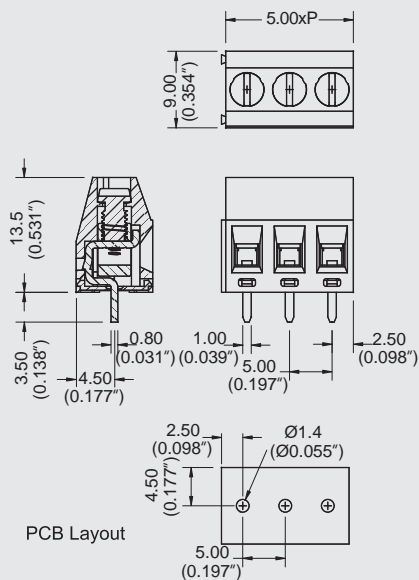
DIMENSIONS/POSITIONS

MB342-500M

間距	Pitch	5.00mm
位數	Poles	2 ~ 3Poles
塑膠本體	Housing Material	PA 66
壓線圈	Cage Clamp	Brass, Ni Plated
端子	Contact	Brass, Tin Plated
螺紋	Screw Thread	M2.6, Steel, Zinc Plated
電線線徑	Wire Size	12 ~ 26AWG
剝線長度	Wire Strip Length	4.5mm ~ 5.5mm
PCB孔徑	PCB Hole Diameter	1.4mm
最大緊固扭矩	Tightening Torque, Max.	5.3 Lb-in
環境作業溫度	Operating Temperature	-40°C to +105°C

TECHNICAL DATA

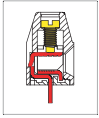
連接符合標準 Connection in acc. with standard EN-VDE		
額定電流 I_n	Nominal Current I_n	16A
額定橫截面	Nominal Cross Section	2.5mm ²
最大負載電流	Maximum load current	16A
絕緣材料	Insulating Material	PA
阻燃等級,符合UL94 Inflammability class acc. to UL94		V0
額定電壓,UL/CUL Nominal voltage, UL/CUL		300V
額定電流,UL/CUL Nominal current, UL/CUL		15A



MB350 PCB Terminal Block, Single Mold



MB



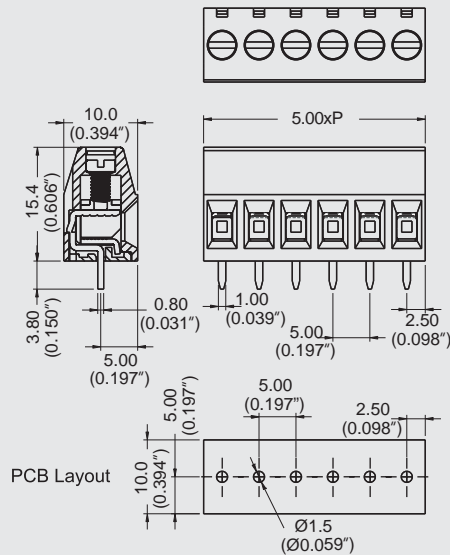
DIMENSIONS/POSITIONS

MB350-500..V

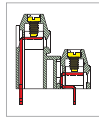
間距	Pitch	5.00mm
位數	Poles	2 ~ 24Poles
塑膠本體	Housing Material	PA 66
壓線圈	Cage Clamp	Brass, Ni Plated
端子	Contact	Brass, Tin Plated
螺紋	Screw Thread	M2.6, Steel, Zinc Plated
電線線徑	Wire Size	12 ~ 22AWG
剝線長度	Wire Strip Length	6mm ~ 7mm
PCB孔徑	PCB Hole Diameter	1.5mm
最大緊固扭矩	Tightening Torque, Max.	4.0 Lb-in
環境作業溫度	Operating Temperature	-40°C to +105°C

TECHNICAL DATA

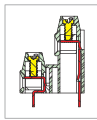
連接符合標準 Connection in acc. with standard EN-VDE		
額定電流 I_n	Nominal Current I_n	16A
額定橫截面	Nominal Cross Section	2.5mm ²
最大負載電流	Maximum load current	16A
絕緣材料	Insulating Material	PA
阻燃等級,符合UL94 Inflammability class acc. to UL94		V0
額定電壓,UL/CUL Nominal voltage, UL/CUL		300V
額定電流,UL/CUL Nominal current, UL/CUL		16A



MB362 PCB Terminal Block, Single Mold



MB362-381A



MB362-381A..H

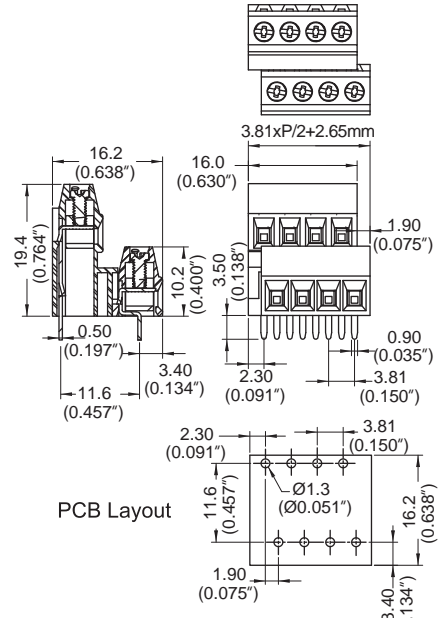
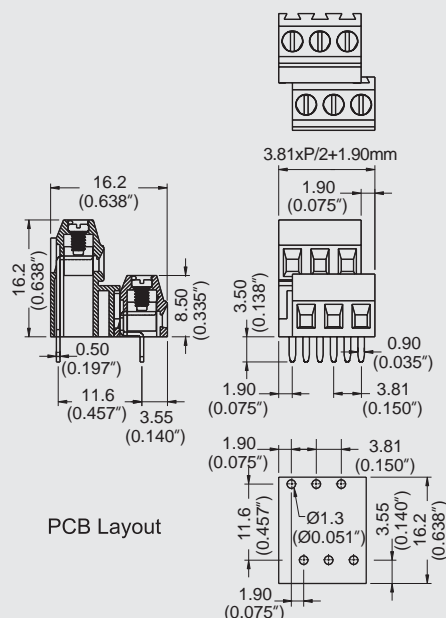


MB

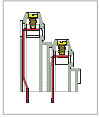
DIMENSIONS/POSITIONS		MB362-381A	MB362-381A..H
間距	Pitch	3.81mm	3.81mm
位數	Poles	4 ~ 32Poles	4 ~ 100Poles
塑膠本體	Housing Material	PA 66	PA 66
壓線圈	Cage Clamp	Brass, Ni Plated	Brass, Ni Plated
端子	Contact	Brass, Tin Plated	Brass, Tin Plated
螺紋	Screw Thread	M2.0, Steel, Zinc Plated	M2.0, Steel, Zinc Plated
電線線徑	Wire Size	16 ~ 26AWG	16 ~ 26AWG
剝線長度	Wire Strip Length	5mm	5mm
PCB孔徑	PCB Hole Diameter	1.3mm	1.3mm
最大緊固扭矩	Tightening Torque, Max.	5.0 Lb-in	2.0 Lb-in
環境作業溫度	Operating Temperature	-40°C to +105°C	-40°C to +105°C

TECHNICAL DATA

連接符合標準 Connection in acc. with standard EN-VDE			
額定電流 I _n	Nominal Current I _n	10A	10A
額定橫截面	Nominal Cross Section	1.5mm ²	1.5mm ²
最大負載電流	Maximum load current	10A	10A
絕緣材料	Insulating Material	PA	PA
阻燃等級,符合UL94 Inflammability class acc. to UL94		V0	V0
額定電壓,UL/CUL Nominal voltage, UL/CUL		300V	300V
額定電流,UL/CUL Nominal current, UL/CUL		10A	10A



MB362 PCB Terminal Block, Single Mold /Modular



MB

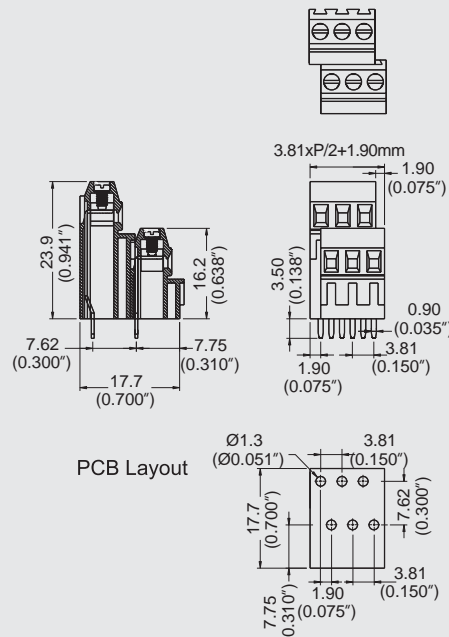
DIMENSIONS/POSITIONS

MB362-381B

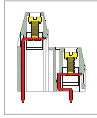
間距	Pitch	3.81mm
位數	Poles	4 ~ 32Poles
塑膠本體	Housing Material	PA 66
壓線圈	Cage Clamp	Brass, Ni Plated
端子	Contact	Brass, Tin Plated
螺紋	Screw Thread	M2.0, Steel, Zinc Plated
電線線徑	Wire Size	16 ~ 26AWG
剝線長度	Wire Strip Length	5mm
PCB孔徑	PCB Hole Diameter	1.3mm
最大緊固扭矩	Tightening Torque, Max.	1.5 Lb-in
環境作業溫度	Operating Temperature	-40°C to +105°C

TECHNICAL DATA

連接符合標準 Connection in acc. with standard EN-VDE		
額定電流 I_n	Nominal Current I_n	10A
額定橫截面	Nominal Cross Section	2.5mm ²
最大負載電流	Maximum load current	10A
絕緣材料	Insulating Material	PA
阻燃等級,符合UL94 Inflammability class acc. to UL94		V0
額定電壓,UL/CUL Nominal voltage, UL/CUL		300V
額定電流,UL/CUL Nominal current, UL/CUL		10A



MB362 PCB Terminal Block, Modular

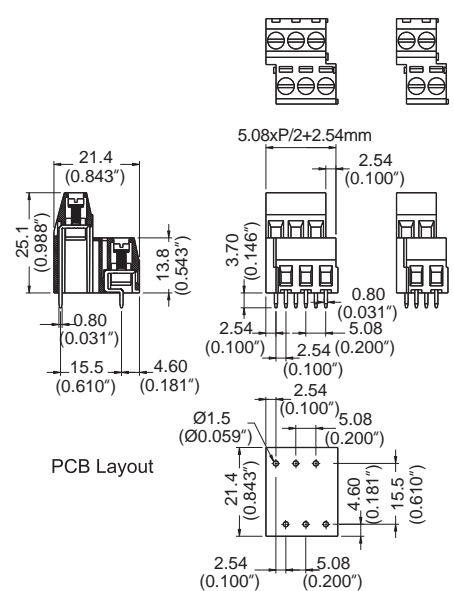
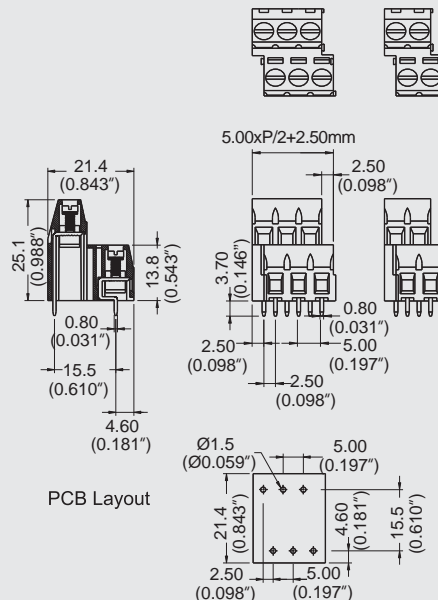


MB

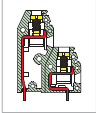
DIMENSIONS/POSITIONS		MB362-500M	MB362-508M
間距	Pitch	5.00mm	5.08mm
位數	Poles	4 ~ 6Poles	4 ~ 6Poles
塑膠本體	Housing Material	PA 66	PA 66
壓線圈	Cage Clamp	Brass, Ni Plated	Brass, Ni Plated
端子	Contact	Brass, Tin Plated	Brass, Tin Plated
螺紋	Screw Thread	M2.6, Steel, Zinc Plated	M2.6, Steel, Zinc Plated
電線線徑	Wire Size	12 ~ 26AWG	12 ~ 26AWG
剝線長度	Wire Strip Length	7mm	7mm
PCB孔徑	PCB Hole Diameter	1.5mm	1.5mm
最大緊固扭矩	Tightening Torque, Max.	5.0 Lb-in	5.0 Lb-in
環境作業溫度	Operating Temperature	-40°C to +105°C	-40°C to +105°C

TECHNICAL DATA

連接符合標準 Connection in acc. with standard EN-VDE			
額定電流 I _n	Nominal Current I _n	16A	16A
額定橫截面	Nominal Cross Section	2.5mm ²	2.5mm ²
最大負載電流	Maximum load current	16A	16A
絕緣材料	Insulating Material	PA	PA
阻燃等級,符合UL94 Inflammability class acc. to UL94		V0	V0
額定電壓,UL/CUL Nominal voltage, UL/CUL		300V	300V
額定電流,UL/CUL Nominal current, UL/CUL		16A	16A



MB372 PCB Terminal Block, Single Mold

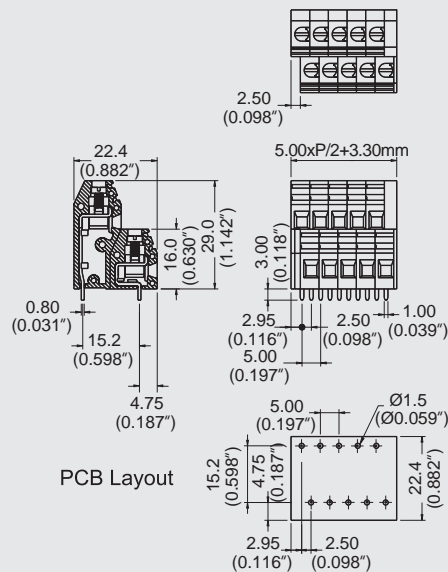


MB

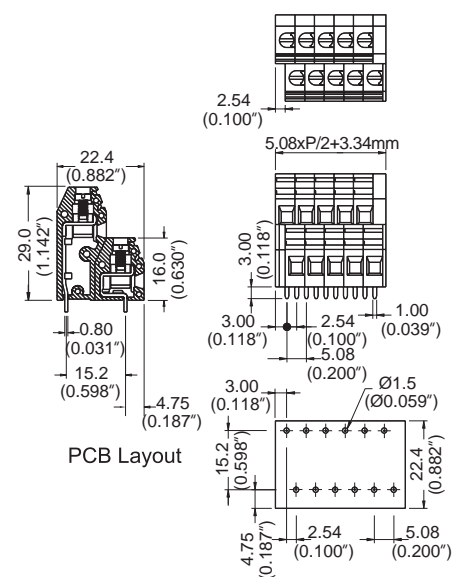
DIMENSIONS/POSITIONS		MB372-500	MB372-508
間距	Pitch	5.00mm	5.08mm
位數	Poles	4 ~ 48Poles	4 ~ 48Poles
塑膠本體	Housing Material	PA 66	PA 66
壓線圈	Cage Clamp	Brass, Ni Plated	Brass, Ni Plated
端子	Contact	Brass, Tin Plated	Brass, Tin Plated
螺紋	Screw Thread	M2.6, Steel, Zinc Plated	M2.6, Steel, Zinc Plated
電線線徑	Wire Size	12 ~ 26AWG	12 ~ 26AWG
剝線長度	Wire Strip Length	7mm ~ 8mm	7mm ~ 8mm
PCB孔徑	PCB Hole Diameter	1.5mm	1.5mm
最大緊固扭矩	Tightening Torque, Max.	5.0 Lb-in	5.0 Lb-in
環境作業溫度	Operating Temperature	-40°C to +105°C	-40°C to +105°C

TECHNICAL DATA

連接符合標準 Connection in acc. with standard EN-VDE			
額定電流 I _n	Nominal Current I _n	10A	10A
額定橫截面	Nominal Cross Section	2.5mm ²	2.5mm ²
最大負載電流	Maximum load current	10A	10A
絕緣材料	Insulating Material	PA	PA
阻燃等級,符合UL94 Inflammability class acc. to UL94		V0	V0
額定電壓,UL/CUL Nominal voltage, UL/CUL		300V	300V
額定電流,UL/CUL Nominal current, UL/CUL		16A	16A

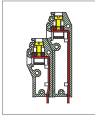


Note:
 Screw Plating: Changes are available upon request
 Cage Clamp: MB 370: Steel



Note:
 Screw Plating: Changes are available upon request
 Cage Clamp: MB 370: Steel

MB382 PCB Terminal Block, Single Mold

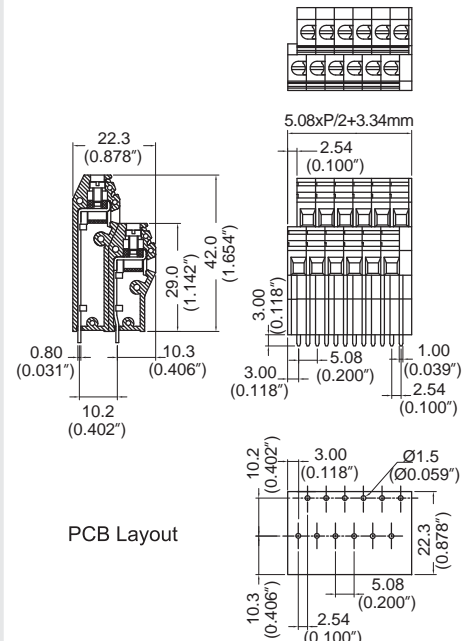
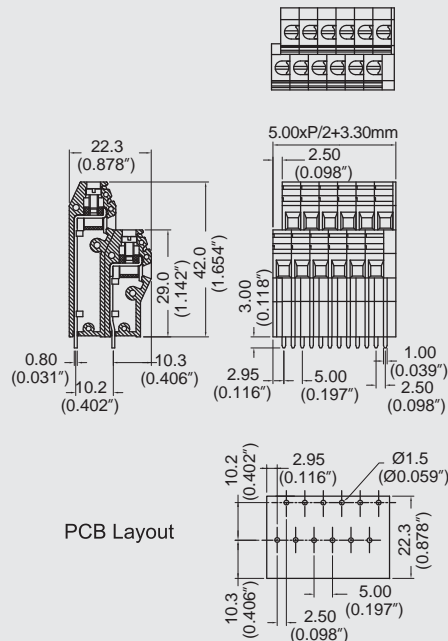


MB

DIMENSIONS/POSITIONS		MB382-500	MB382-508
間距	Pitch	5.00mm	5.08mm
位數	Poles	4 ~ 48Poles	4 ~ 48Poles
塑膠本體	Housing Material	PA 66	PA 66
壓線圈	Cage Clamp	Brass, Ni Plated	Brass, Ni Plated
端子	Contact	Brass, Tin Plated	Brass, Tin Plated
螺紋	Screw Thread	M2.6, Steel, Zinc Plated	M2.6, Steel, Zinc Plated
電線線徑	Wire Size	12 ~ 26AWG	12 ~ 26AWG
剝線長度	Wire Strip Length	7mm ~ 8mm	7mm ~ 8mm
PCB孔徑	PCB Hole Diameter	1.5mm	1.5mm
最大緊固扭矩	Tightening Torque, Max.	5.0 Lb-in	5.0 Lb-in
環境作業溫度	Operating Temperature	-40°C to +105°C	-40°C to +105°C

TECHNICAL DATA

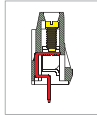
連接符合標準 Connection in acc. with standard EN-VDE			
額定電流 I _n	Nominal Current I _n	10A	10A
額定橫截面	Nominal Cross Section	2.5mm ²	2.5mm ²
最大負載電流	Maximum load current	10A	10A
絕緣材料	Insulating Material	PA	PA
阻燃等級,符合UL94 Inflammability class acc. to UL94		V0	V0
額定電壓,UL/CUL Nominal voltage, UL/CUL		300V	300V
額定電流,UL/CUL Nominal current, UL/CUL		10A	10A



MB410 PCB Terminal Block, Modular



MB410-500M



MB410-635M

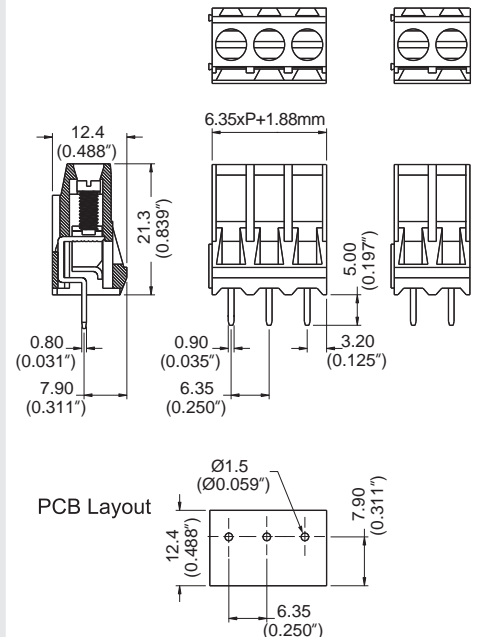
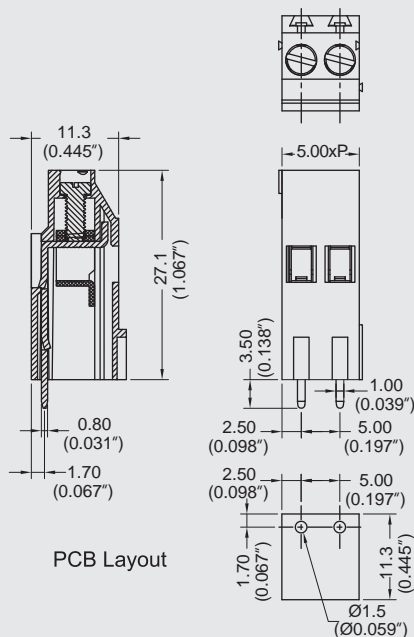


DIMENSIONS/POSITIONS

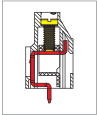
DIMENSIONS/POSITIONS		MB410-500M	MB410-635M
間距	Pitch	5.00mm	6.35mm
位數	Poles	2 ~ 3Poles	2 ~ 3Poles
塑膠本體	Housing Material	PA 66	PA 66
壓線圈	Cage Clamp	Steel, Zinc Plated	Brass, Ni Plated
端子	Contact	Brass, Tin Plated	Brass, Tin Plated
螺紋	Screw Thread	M2.6, Steel, Zinc Plated	M3.0, Steel, Zinc Plated
電線線徑	Wire Size	12 ~ 24AWG	14 ~ 22AWG
剝線長度	Wire Strip Length	6mm ~ 7mm	-
PCB孔徑	PCB Hole Diameter	1.5mm	1.5mm
最大緊固扭矩	Tightening Torque, Max.	5.0 Lb-in	5.5 Lb-in
環境作業溫度	Operating Temperature	-40°C to +105°C	-40°C to +105°C

TECHNICAL DATA

連接符合標準 Connection in acc. with standard EN-VDE			
額定電流 I_n	Nominal Current I_n	27A	10A
額定橫截面	Nominal Cross Section	2.5mm ²	2.5mm ²
最大負載電流	Maximum load current	27A	10A
絕緣材料	Insulating Material	PA	PA
阻燃等級,符合UL94 Inflammability class acc. to UL94		V0	V0
額定電壓,UL/CUL Nominal voltage, UL/CUL		300V	300V
額定電流,UL/CUL Nominal current, UL/CUL		27A	10A



MB420 PCB Terminal Block, Modular

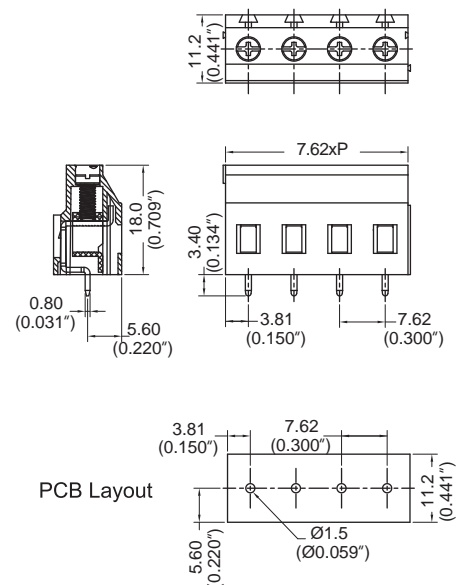
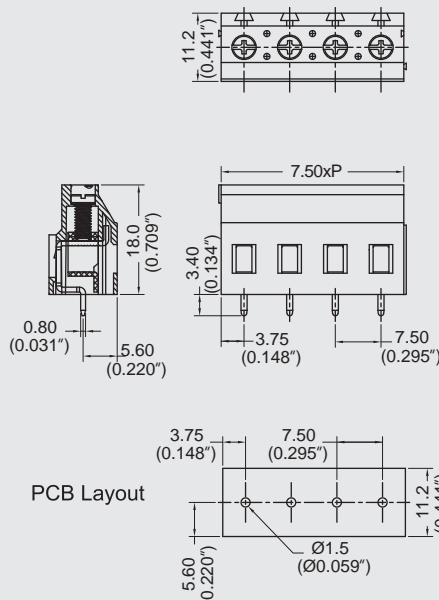


MB

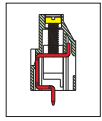
DIMENSIONS/POSITIONS		MB420-750MA	MB420-762MA
間距	Pitch	7.50mm	7.62mm
位數	Poles	2 ~ 3Poles	2 ~ 3Poles
塑膠本體	Housing Material	PA 66	PA 66
壓線圈	Cage Clamp	Steel, Zinc Plated	Steel, Zinc Plated
端子	Contact	Brass, Tin Plated	Brass, Tin Plated
螺紋	Screw Thread	M2.6, Steel, Zinc Plated	M2.6, Steel, Zinc Plated
電線線徑	Wire Size	12 ~ 24AWG	12 ~ 24AWG
剝線長度	Wire Strip Length	7mm	8mm
PCB孔徑	PCB Hole Diameter	1.5mm	1.5mm
最大緊固扭矩	Tightening Torque, Max.	6.0 Lb-in	6.0 Lb-in
環境作業溫度	Operating Temperature	-40°C to +105°C	-40°C to +105°C

TECHNICAL DATA

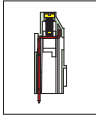
連接符合標準 Connection in acc. with standard EN-VDE			
額定電流 I_n	Nominal Current I_n	28A	28A
額定橫截面	Nominal Cross Section	2.5mm ²	2.5mm ²
最大負載電流	Maximum load current	28A	28A
絕緣材料	Insulating Material	PA	PA
阻燃等級,符合UL94 Inflammability class acc. to UL94		V0	V0
額定電壓,UL/CUL Nominal voltage, UL/CUL		300V	300V
額定電流,UL/CUL Nominal current, UL/CUL		28A	28A



MB422 PCB Terminal Block, Modular



MB422-500MA



MB422-500MB

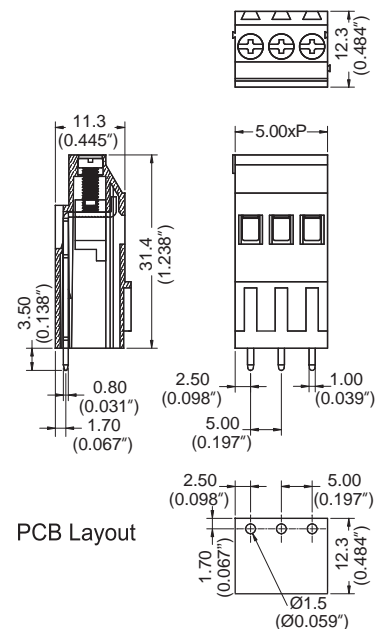
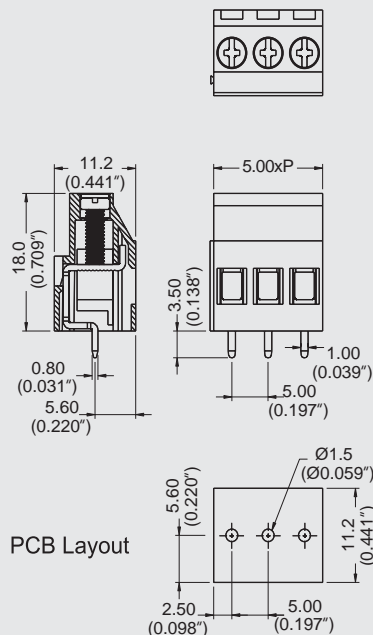


DIMENSIONS/POSITIONS

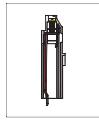
DIMENSIONS/POSITIONS		MB422-500MA	MB422-500MB
間距	Pitch	5.00mm	5.00mm
位數	Poles	2 ~ 3Poles	2 ~ 3Poles
塑膠本體	Housing Material	PA 66	PA 66
壓線圈	Cage Clamp	Brass, Ni Plated	Brass, Ni Plated
端子	Contact	Brass, Tin Plated	Brass, Tin Plated
螺紋	Screw Thread	M2.6, Steel, Zinc Plated	M2.6, Steel, Zinc Plated
電線線徑	Wire Size	10 ~ 24AWG	10 ~ 24AWG
剝線長度	Wire Strip Length	8mm	8mm
PCB孔徑	PCB Hole Diameter	1.5mm	1.5mm
最大緊固扭矩	Tightening Torque, Max.	6.0 Lb-in	6.0 Lb-in
環境作業溫度	Operating Temperature	-40°C to +105°C	-40°C to +105°C

TECHNICAL DATA

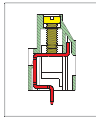
連接符合標準 Connection in acc. with standard EN-VDE			
額定電流 I_n	Nominal Current I_n	25A	25A
額定橫截面	Nominal Cross Section	4.0mm ²	4.0mm ²
最大負載電流	Maximum load current	25A	25A
絕緣材料	Insulating Material	PA	PA
阻燃等級,符合UL94 Inflammability class acc. to UL94		V0	V0
額定電壓,UL/CUL Nominal voltage, UL/CUL		300V	300V
額定電流,UL/CUL Nominal current, UL/CUL		25A	25A



MB422 PCB Terminal Block, Modular



MB422-500MC



MB422-508MA

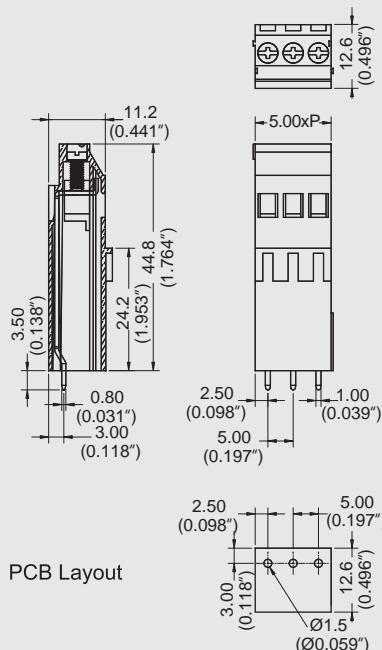


MB

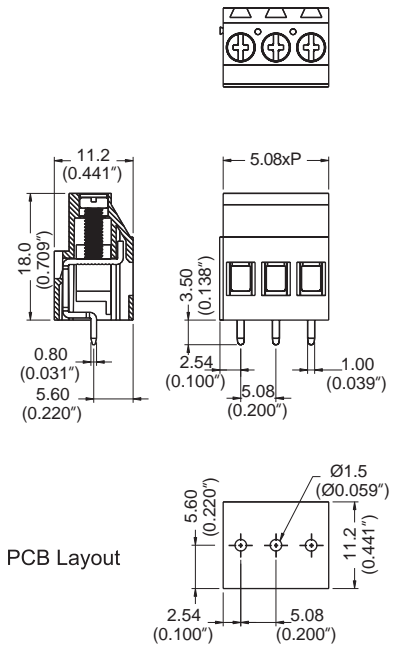
DIMENSIONS/POSITIONS		MB422-500MC	MB422-508MA
間距	Pitch	5.00mm	5.08mm
位數	Poles	2 ~ 3Poles	2 ~ 3Poles
塑膠本體	Housing Material	PA 66	PA 66
壓線圈	Cage Clamp	Brass, Ni Plated	Brass, Ni Plated
端子	Contact	Brass, Tin Plated	Brass, Tin Plated
螺紋	Screw Thread	M2.6, Steel, Zinc Plated	M2.6, Steel, Zinc Plated
電線線徑	Wire Size	10 ~ 24AWG	10 ~ 24AWG
剝線長度	Wire Strip Length	8mm	8mm
PCB孔徑	PCB Hole Diameter	1.5mm	1.5mm
最大緊固扭矩	Tightening Torque, Max.	6.0 Lb-in	6.0 Lb-in
環境作業溫度	Operating Temperature	-40°C to +105°C	-40°C to +105°C

TECHNICAL DATA

連接符合標準 Connection in acc. with standard EN-VDE			
額定電流 I _n	Nominal Current I _n	25A	25A
額定橫截面	Nominal Cross Section	4.0mm ²	4.0mm ²
最大負載電流	Maximum load current	25A	25A
絕緣材料	Insulating Material	PA	PA
阻燃等級,符合UL94 Inflammability class acc. to UL94		V0	V0
額定電壓,UL/CUL Nominal voltage, UL/CUL		300V	300V
額定電流,UL/CUL Nominal current, UL/CUL		25A	25A

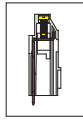


PCB Layout



PCB Layout

MB422 PCB Terminal Block, Modular



MB422-508MB



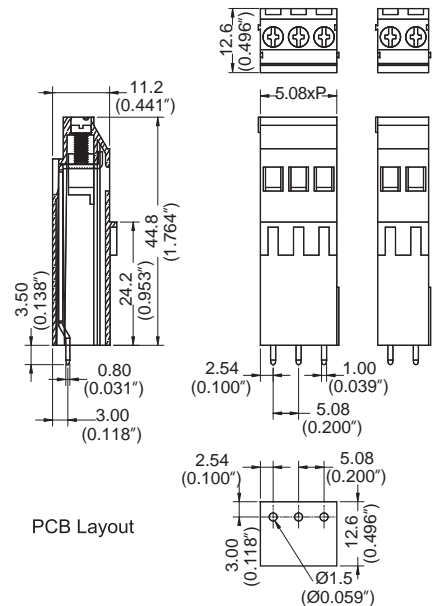
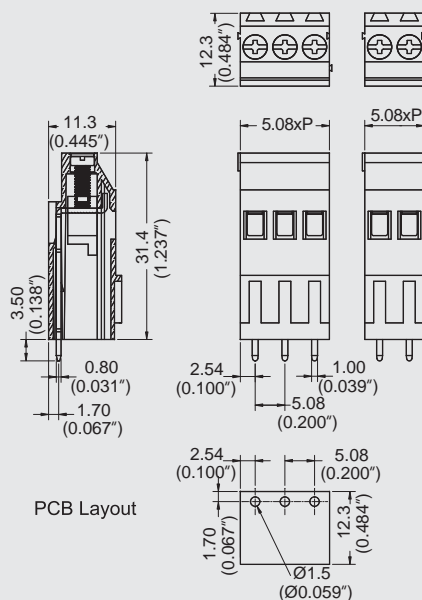
MB422-508MC

DIMENSIONS/POSITIONS

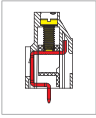
DIMENSIONS/POSITIONS		MB422-508MB	MB422-508MC
間距	Pitch	5.08mm	5.08mm
位數	Poles	2 ~ 3Poles	2 ~ 3Poles
塑膠本體	Housing Material	PA 66	PA 66
壓線圈	Cage Clamp	Brass, Ni Plated	Brass, Ni Plated
端子	Contact	Brass, Tin Plated	Brass, Tin Plated
螺紋	Screw Thread	M2.6, Steel, Zinc Plated	M2.6, Steel, Zinc Plated
電線線徑	Wire Size	10 ~ 24AWG	10 ~ 24AWG
剝線長度	Wire Strip Length	8mm	8mm
PCB孔徑	PCB Hole Diameter	1.5mm	1.5mm
最大緊固扭矩	Tightening Torque, Max.	6.0 Lb-in	6.0 Lb-in
環境作業溫度	Operating Temperature	-40°C to +105°C	-40°C to +105°C

TECHNICAL DATA

連接符合標準 Connection in acc. with standard EN-VDE			
額定電流 I_n	Nominal Current I_n	25A	25A
額定橫截面	Nominal Cross Section	4.0mm ²	4.0mm ²
最大負載電流	Maximum load current	25A	25A
絕緣材料	Insulating Material	PA	PA
阻燃等級,符合UL94 Inflammability class acc. to UL94		V0	V0
額定電壓,UL/CUL Nominal voltage, UL/CUL		300V	300V
額定電流,UL/CUL Nominal current, UL/CUL		25A	25A



MB422 PCB Terminal Block, Modular

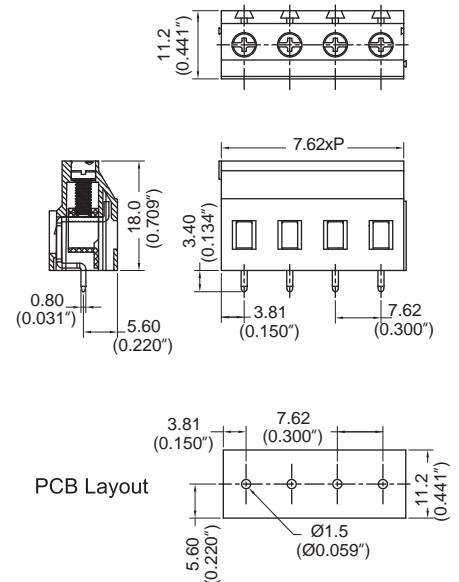
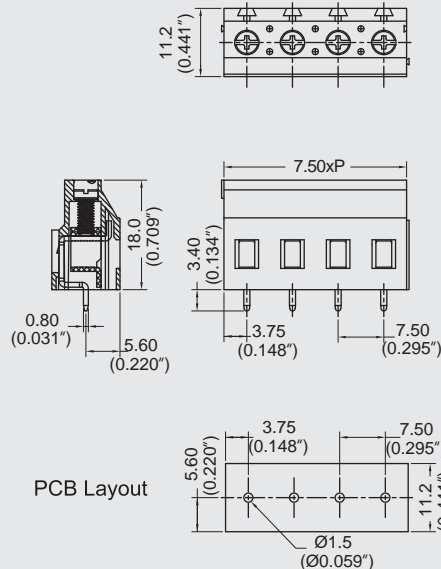


MB

DIMENSIONS/POSITIONS		MB422-750MA	MB422-762MA
間距	Pitch	7.50mm	7.62mm
位數	Poles	2 ~ 3Poles	2 ~ 3Poles
塑膠本體	Housing Material	PA 66	PA 66
壓線圈	Cage Clamp	Brass, Ni Plated	Brass, Ni Plated
端子	Contact	Brass, Tin Plated	Brass, Tin Plated
螺紋	Screw Thread	M2.6, Steel, Zinc Plated	M2.6, Steel, Zinc Plated
電線線徑	Wire Size	12 ~ 24AWG	12 ~ 24AWG
剝線長度	Wire Strip Length	8mm	8mm
PCB孔徑	PCB Hole Diameter	1.5mm	1.5mm
最大緊固扭矩	Tightening Torque, Max.	5.0 Lb-in	5.0 Lb-in
環境作業溫度	Operating Temperature	-40°C to +105°C	-40°C to +105°C

TECHNICAL DATA

連接符合標準	Connection in acc. with standard EN-VDE	
額定電流 I _n	Nominal Current I _n	25A
額定橫截面	Nominal Cross Section	2.5mm ²
最大負載電流	Maximum load current	25A
絕緣材料	Insulating Material	PA
阻燃等級,符合UL94	Inflammability class acc. to UL94	
額定電壓,UL/CUL	Nominal voltage, UL/CUL	
額定電流,UL/CUL	Nominal current, UL/CUL	



MB424 PCB Terminal Block, Modular



MB

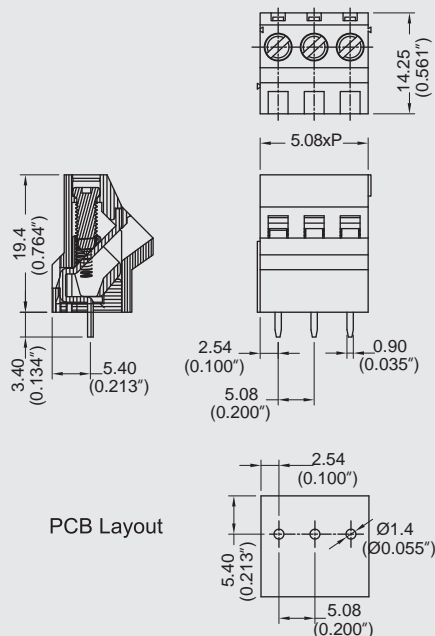
DIMENSIONS/POSITIONS

MB424-508M..V

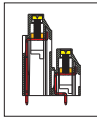
間距	Pitch	5.08mm
位數	Poles	2 ~ 3Poles
塑膠本體	Housing Material	PA 66
壓線圈	Cage Clamp	Brass, Ni Plated
端子	Contact	Brass, Tin Plated
螺紋	Screw Thread	M3.0, Steel, Zinc Plated
電線線徑	Wire Size	14 ~ 26AWG
剝線長度	Wire Strip Length	11mm
PCB孔徑	PCB Hole Diameter	1.4mm
最大緊固扭矩	Tightening Torque, Max.	5.22 Lb-in
環境作業溫度	Operating Temperature	-40°C to +105°C

TECHNICAL DATA

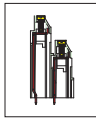
連接符合標準	Connection in acc. with standard EN-VDE	
額定電流 I _n	Nominal Current I _n	15A
額定橫截面	Nominal Cross Section	1.5mm ²
最大負載電流	Maximum load current	15A
絕緣材料	Insulating Material	PA
阻燃等級,符合UL94 Inflammability class acc. to UL94		V0
額定電壓,UL/CUL Nominal voltage, UL/CUL		300V
額定電流,UL/CUL Nominal current, UL/CUL		15A



MB432 PCB Terminal Block, Modular



MB432-500MA



MB432-500MB

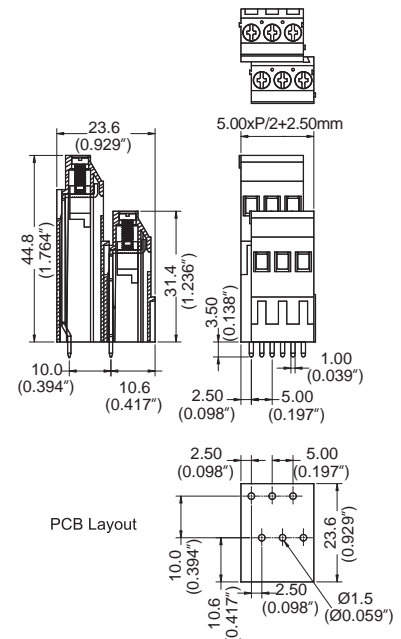
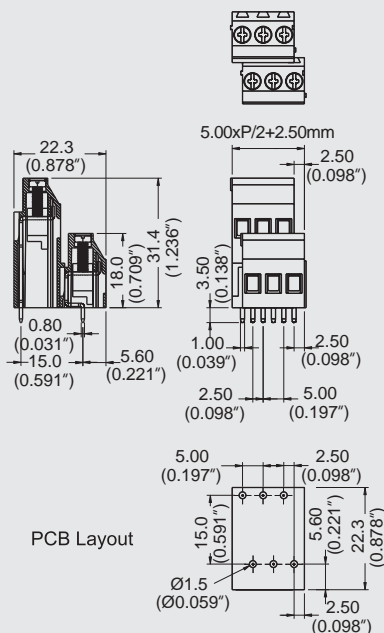


MB

DIMENSIONS/POSITIONS		MB432-500MA	MB432-500MB
間距	Pitch	5.00mm	5.00mm
位數	Poles	4 ~ 6Poles	4 ~ 6Poles
塑膠本體	Housing Material	PA 66	PA 66
壓線圈	Cage Clamp	Brass, Ni Plated	Brass, Ni Plated
端子	Contact	Brass, Tin Plated	Brass, Tin Plated
螺紋	Screw Thread	M2.6, Steel, Zinc Plated	M2.6, Steel, Zinc Plated
電線線徑	Wire Size	10 ~ 24AWG	10 ~ 24AWG
剝線長度	Wire Strip Length	8mm	8mm
PCB孔徑	PCB Hole Diameter	1.5mm	1.5mm
最大緊固扭矩	Tightening Torque, Max.	6.0 Lb-in	6.0 Lb-in
環境作業溫度	Operating Temperature	-40°C to +105°C	-40°C to +105°C

TECHNICAL DATA

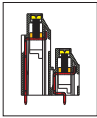
連接符合標準 Connection in acc. with standard EN-VDE			
額定電流 I _n	Nominal Current I _n	25A	25A
額定橫截面	Nominal Cross Section	4.0mm ²	4.0mm ²
最大負載電流	Maximum load current	25A	25A
絕緣材料	Insulating Material	PA	PA
阻燃等級,符合UL94 Inflammability class acc. to UL94		V0	V0
額定電壓,UL/CUL Nominal voltage, UL/CUL		300V	300V
額定電流,UL/CUL Nominal current, UL/CUL		25A	25A



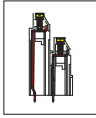
MB432 PCB Terminal Block, Modular



MB



MB432-508MA



MB432-508MB

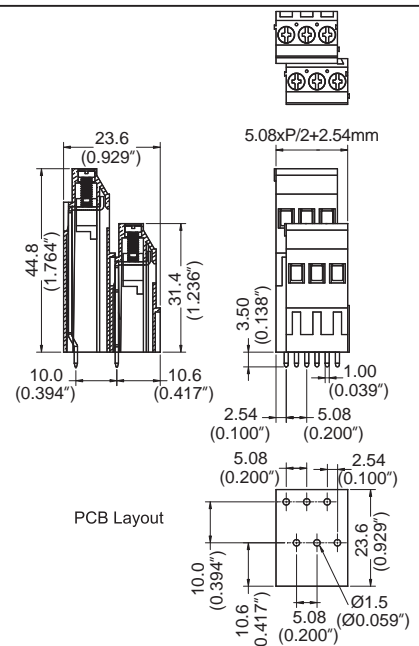
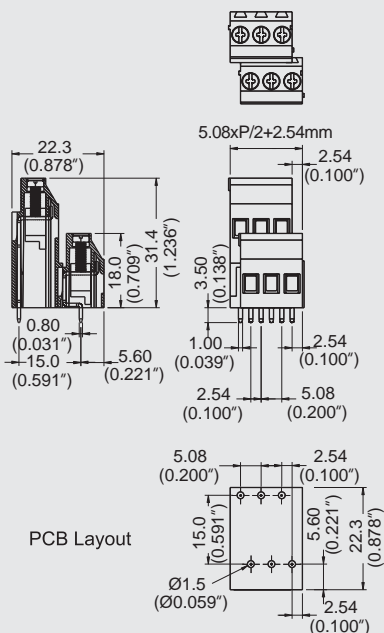


DIMENSIONS/POSITIONS

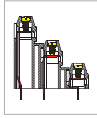
DIMENSIONS/POSITIONS		MB432-508MA	MB432-508MB
間距	Pitch	5.08mm	5.08mm
位數	Poles	4 ~ 6Poles	4 ~ 6Poles
塑膠本體	Housing Material	PA 66	PA 66
壓線圈	Cage Clamp	Brass, Ni Plated	Brass, Ni Plated
端子	Contact	Brass, Tin Plated	Brass, Tin Plated
螺紋	Screw Thread	M2.6, Steel, Zinc Plated	M2.6, Steel, Zinc Plated
電線線徑	Wire Size	10 ~ 24AWG	10 ~ 24AWG
剝線長度	Wire Strip Length	8mm	8mm
PCB孔徑	PCB Hole Diameter	1.5mm	1.5mm
最大緊固扭矩	Tightening Torque, Max.	6.0 Lb-in	6.0 Lb-in
環境作業溫度	Operating Temperature	-40°C to +105°C	-40°C to +105°C

TECHNICAL DATA

連接符合標準 Connection in acc. with standard EN-VDE			
額定電流 I_n	Nominal Current I_n	25A	25A
額定橫截面	Nominal Cross Section	4.0mm ²	4.0mm ²
最大負載電流	Maximum load current	25A	25A
絕緣材料	Insulating Material	PA	PA
阻燃等級,符合UL94 Inflammability class acc. to UL94		V0	V0
額定電壓,UL/CUL Nominal voltage, UL/CUL		300V	300V
額定電流,UL/CUL Nominal current, UL/CUL		25A	25A



MB522 PCB Terminal Block, Single Mold



MB

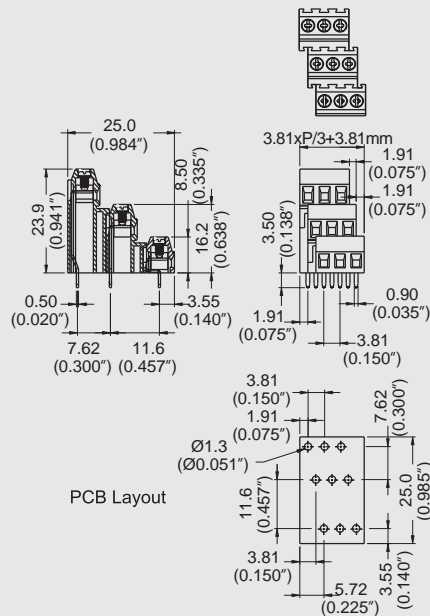
DIMENSIONS/POSITIONS

MB522-381A

間距	Pitch	3.81mm
位數	Poles	6 ~ 48Poles
塑膠本體	Housing Material	PA 66
壓線圈	Cage Clamp	Brass, Ni Plated
端子	Contact	Brass, Tin Plated
螺紋	Screw Thread	M2.0, Steel, Zinc Plated
電線線徑	Wire Size	16 ~ 26AWG
剝線長度	Wire Strip Length	4.5mm ~ 5.5mm
PCB孔徑	PCB Hole Diameter	1.3mm
最大緊固扭矩	Tightening Torque, Max.	2.0 Lb-in
環境作業溫度	Operating Temperature	-40°C to +105°C

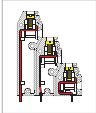
TECHNICAL DATA

連接符合標準	Connection in acc. with standard EN-VDE	
額定電流 I _n	Nominal Current I _n	10A
額定橫截面	Nominal Cross Section	1.5mm ²
最大負載電流	Maximum load current	10A
絕緣材料	Insulating Material	PA
阻燃等級,符合UL94	Inflammability class acc. to UL94	V0
額定電壓,UL/CUL	Nominal voltage, UL/CUL	300V
額定電流,UL/CUL	Nominal current, UL/CUL	10A



Note:
Screw Plating: Changes are available upon request

MB522 PCB Terminal Block, Single Mold

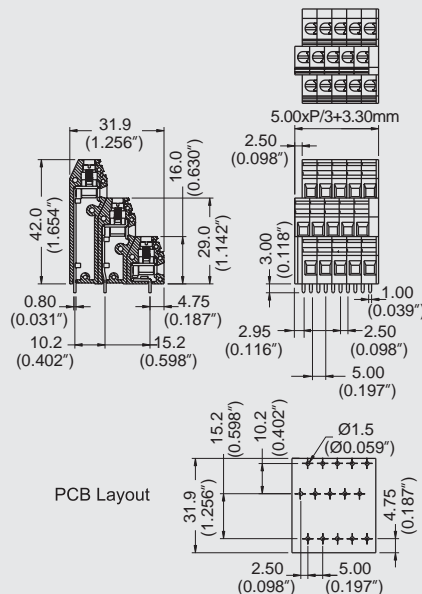


MB

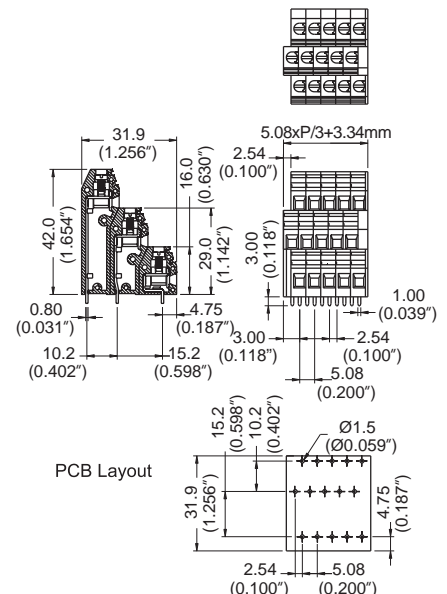
DIMENSIONS/POSITIONS		MB522-500	MB522-508
間距	Pitch	5.00mm	5.08mm
位數	Poles	6 ~ 72Poles	6 ~ 72Poles
塑膠本體	Housing Material	PA 66	PA 66
壓線圈	Cage Clamp	Brass, Ni Plated	Brass, Ni Plated
端子	Contact	Brass, Tin Plated	Brass, Tin Plated
螺紋	Screw Thread	M2.6, Steel, Zinc Plated	M2.6, Steel, Zinc Plated
電線線徑	Wire Size	14 ~ 22AWG	12 ~ 26AWG
剝線長度	Wire Strip Length	7mm ~ 8mm	7mm ~ 8mm
PCB孔徑	PCB Hole Diameter	1.5mm	1.5mm
最大緊固扭矩	Tightening Torque, Max.	5.0 Lb-in	5.0 Lb-in
環境作業溫度	Operating Temperature	-40°C to +105°C	-40°C to +105°C

TECHNICAL DATA

連接符合標準 Connection in acc. with standard EN-VDE			
額定電流 I _n	Nominal Current I _n	16A	16A
額定橫截面	Nominal Cross Section	2.5mm ²	2.5mm ²
最大負載電流	Maximum load current	16A	16A
絕緣材料	Insulating Material	PA	PA
阻燃等級,符合UL94 Inflammability class acc. to UL94		V0	V0
額定電壓,UL/CUL Nominal voltage, UL/CUL		300V	300V
額定電流,UL/CUL Nominal current, UL/CUL		16A	16A



Note:
 Screw Plating: Changes are available upon request
 Cage Clamp: MB 520: Steel



Note:
 Screw Plating: Changes are available upon request
 Cage Clamp: MB 520: Steel

MB532 PCB Terminal Block, Modular

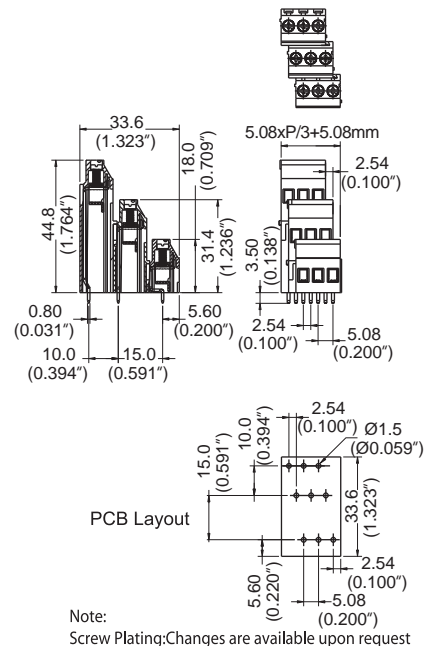
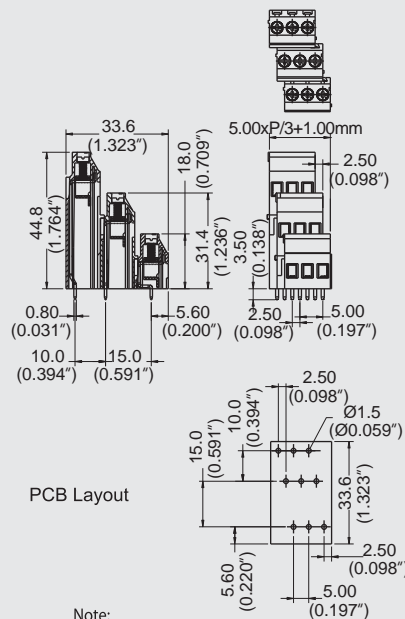


MB

DIMENSIONS/POSITIONS		MB532-500MA	MB532-508MA
間距	Pitch	5.00mm	5.08mm
位數	Poles	4 ~ 6Poles	4 ~ 6Poles
塑膠本體	Housing Material	PA 66	PA 66
壓線圈	Cage Clamp	Brass, Ni Plated	Brass, Ni Plated
端子	Contact	Brass, Tin Plated	Brass, Tin Plated
螺紋	Screw Thread	M2.6, Steel, Zinc Plated	M2.6, Steel, Zinc Plated
電線線徑	Wire Size	10 ~ 24AWG	10 ~ 24AWG
剝線長度	Wire Strip Length	8mm	8mm
PCB孔徑	PCB Hole Diameter	1.5mm	1.5mm
最大緊固扭矩	Tightening Torque, Max.	6.0 Lb-in	6.0 Lb-in
環境作業溫度	Operating Temperature	-40°C to +105°C	-40°C to +105°C

TECHNICAL DATA

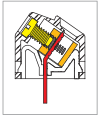
連接符合標準 Connection in acc. with standard EN-VDE			
額定電流 I _n	Nominal Current I _n	25A	25A
額定橫截面	Nominal Cross Section	4.0mm ²	4.0mm ²
最大負載電流	Maximum load current	25A	25A
絕緣材料	Insulating Material	PA	PA
阻燃等級,符合UL94 Inflammability class acc. to UL94		V0	V0
額定電壓,UL/CUL Nominal voltage, UL/CUL		300V	300V
額定電流,UL/CUL Nominal current, UL/CUL		25A	25A



MB552 PCB Terminal Block, Single Mold



MB



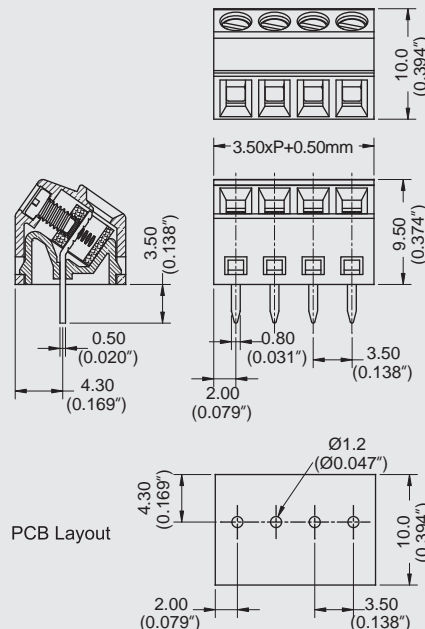
DIMENSIONS/POSITIONS

MB552-350

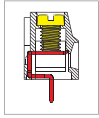
間距	Pitch	3.50mm
位數	Poles	2 ~ 24Poles
塑膠本體	Housing Material	PA 66
壓線圈	Cage Clamp	Brass, Ni Plated
端子	Contact	Brass, Tin Plated
螺紋	Screw Thread	M2.0, Steel, Zinc Plated
電線線徑	Wire Size	16 ~ 26AWG
剝線長度	Wire Strip Length	5mm
PCB孔徑	PCB Hole Diameter	1.2mm
最大緊固扭矩	Tightening Torque, Max.	2.2 Lb-in
環境作業溫度	Operating Temperature	-40°C to +105°C

TECHNICAL DATA

連接符合標準 Connection in acc. with standard EN-VDE		
額定電流 I_n	Nominal Current I_n	10A
額定橫截面	Nominal Cross Section	1.5mm ²
最大負載電流	Maximum load current	10A
絕緣材料	Insulating Material	PA
阻燃等級,符合UL94 Inflammability class acc. to UL94		V0
額定電壓,UL/CUL Nominal voltage, UL/CUL		300V
額定電流,UL/CUL Nominal current, UL/CUL		10A



MB612 PCB Terminal Block, Single Mold

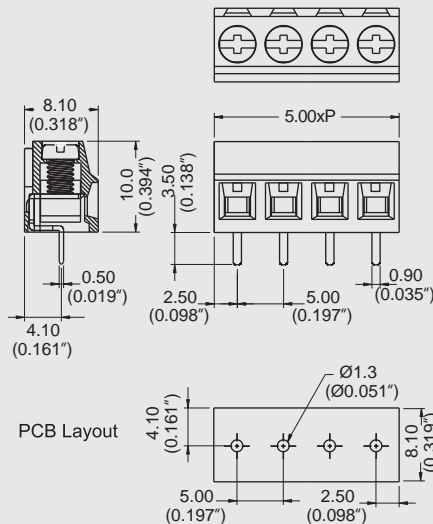


MB

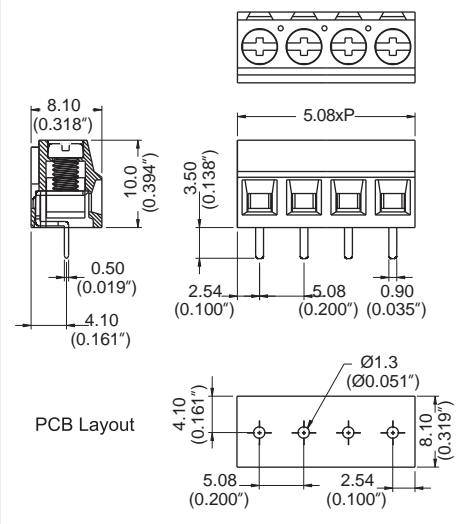
DIMENSIONS/POSITIONS		MB612-500	MB612-508
間距	Pitch	5.00mm	5.08mm
位數	Poles	2 ~ 16Poles	2 ~ 16Poles
塑膠本體	Housing Material	PA 66	PA 66
壓線圈	Cage Clamp	Brass, Ni Plated	Brass, Ni Plated
端子	Contact	Brass, Tin Plated	Brass, Tin Plated
螺紋	Screw Thread	M2.6, Steel, Zinc Plated	M2.6, Steel, Zinc Plated
電線線徑	Wire Size	14 ~ 26AWG	14 ~ 26AWG
剝線長度	Wire Strip Length	6mm	6mm
PCB孔徑	PCB Hole Diameter	1.3mm	1.3mm
最大緊固扭矩	Tightening Torque, Max.	4.5 Lb-in	4.5 Lb-in
環境作業溫度	Operating Temperature	-40°C to +105°C	-40°C to +105°C

TECHNICAL DATA

連接符合標準 Connection in acc. with standard EN-VDE			
額定電流 I _n	Nominal Current I _n	16A	16A
額定橫截面	Nominal Cross Section	1.5mm ²	1.5mm ²
最大負載電流	Maximum load current	16A	16A
絕緣材料	Insulating Material	PA	PA
阻燃等級,符合UL94 Inflammability class acc. to UL94		V0	V0
額定電壓,UL/CUL Nominal voltage, UL/CUL		300V	300V
額定電流,UL/CUL Nominal current, UL/CUL		16A	16A

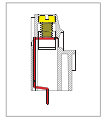


Note:
Screw Plating: Changes are available upon request



Note:
Screw Plating: Changes are available upon request

MB622 PCB Terminal Block, Single Mold

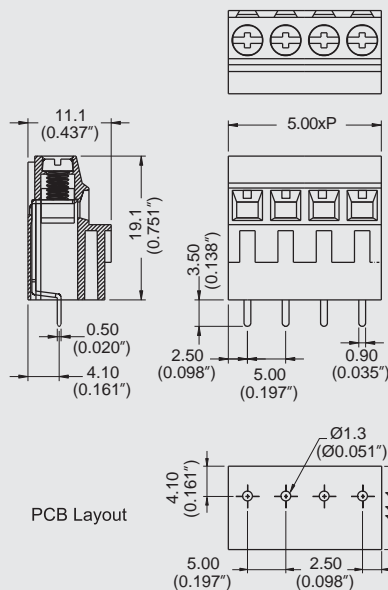


DIMENSIONS/POSITIONS

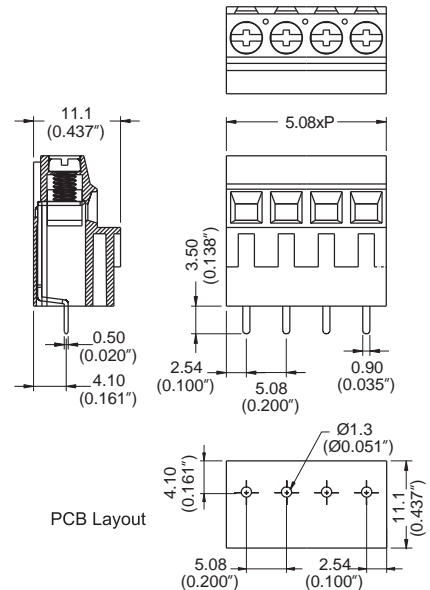
DIMENSIONS/POSITIONS		MB622-500	MB622-508
間距	Pitch	5.00mm	5.08mm
位數	Poles	2 ~ 16Poles	2 ~ 16Poles
塑膠本體	Housing Material	PA 66	PA 66
壓線圈	Cage Clamp	Brass, Ni Plated	Brass, Ni Plated
端子	Contact	Brass, Tin Plated	Brass, Tin Plated
螺紋	Screw Thread	M2.6, Steel, Zinc Plated	M2.6, Steel, Zinc Plated
電線線徑	Wire Size	14 ~ 26AWG	14 ~ 26AWG
剝線長度	Wire Strip Length	6mm	6mm
PCB孔徑	PCB Hole Diameter	1.3mm	1.3mm
最大緊固扭矩	Tightening Torque, Max.	4.5 Lb-in	4.5 Lb-in
環境作業溫度	Operating Temperature	-40°C to +105°C	-40°C to +105°C

TECHNICAL DATA

連接符合標準 Connection in acc. with standard EN-VDE			
額定電流 I _n	Nominal Current I _n	16A	16A
額定橫截面	Nominal Cross Section	1.5mm ²	1.5mm ²
最大負載電流	Maximum load current	16A	16A
絕緣材料	Insulating Material	PA	PA
阻燃等級,符合UL94 Inflammability class acc. to UL94		V0	V0
額定電壓,UL/CUL Nominal voltage, UL/CUL		300V	300V
額定電流,UL/CUL Nominal current, UL/CUL		16A	16A

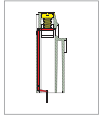


Note:
Screw Plating: Changes are available upon request



Note:
Screw Plating: Changes are available upon request

MB632 PCB Terminal Block, Single Mold

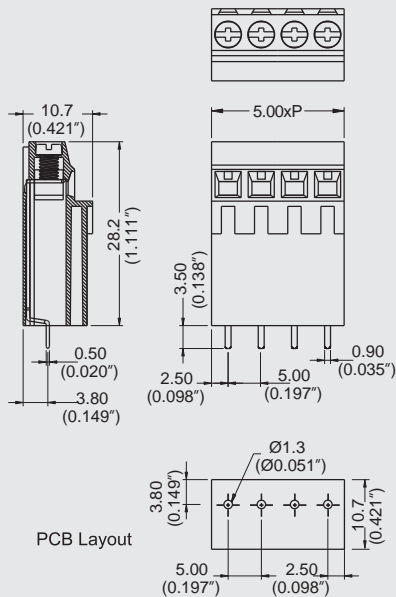


MB

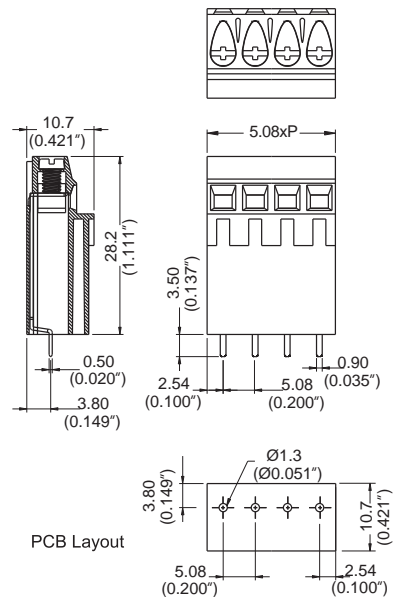
DIMENSIONS/POSITIONS		MB632-500	MB632-508
間距	Pitch	5.00mm	5.08mm
位數	Poles	2 ~ 16Poles	2 ~ 16Poles
塑膠本體	Housing Material	PA 66	PA 66
壓線圈	Cage Clamp	Brass, Ni Plated	Brass, Ni Plated
端子	Contact	Brass, Tin Plated	Brass, Tin Plated
螺紋	Screw Thread	M2.6, Steel, Zinc Plated	M2.6, Steel, Zinc Plated
電線線徑	Wire Size	14 ~ 26AWG	14 ~ 26AWG
剝線長度	Wire Strip Length	6mm	6mm
PCB孔徑	PCB Hole Diameter	1.3mm	1.3mm
最大緊固扭矩	Tightening Torque, Max.	4.5 Lb-in	4.5 Lb-in
環境作業溫度	Operating Temperature	-40°C to +105°C	-40°C to +105°C

TECHNICAL DATA

連接符合標準 Connection in acc. with standard EN-VDE			
額定電流 I _n	Nominal Current I _n	16A	16A
額定橫截面	Nominal Cross Section	1.5mm ²	1.5mm ²
最大負載電流	Maximum load current	16A	16A
絕緣材料	Insulating Material	PA	PA
阻燃等級,符合UL94 Inflammability class acc. to UL94		V0	V0
額定電壓,UL/CUL Nominal voltage, UL/CUL		300V	300V
額定電流,UL/CUL Nominal current, UL/CUL		16A	16A



Note:
Screw Plating: Changes are available upon request

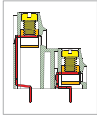


Note:
Screw Plating: Changes are available upon request

MB642 PCB Terminal Block, Single Mold



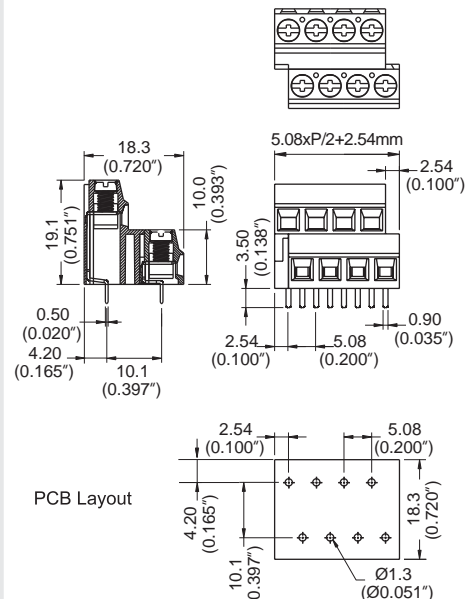
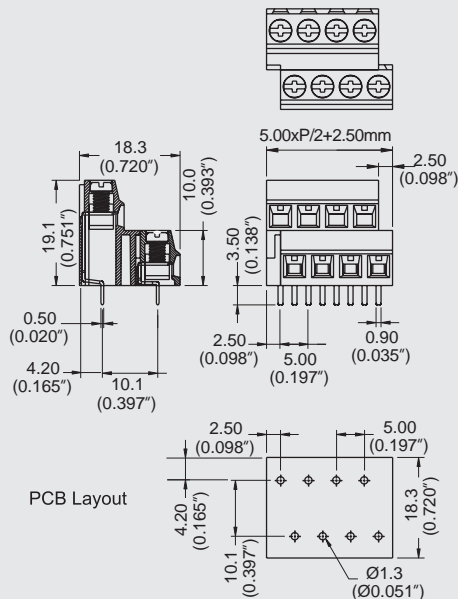
MB



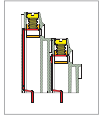
DIMENSIONS/POSITIONS		MB642-500	MB642-508
間距	Pitch	5.00mm	5.08mm
位數	Poles	4 ~ 32Poles	4 ~ 32Poles
塑膠本體	Housing Material	PA 66	PA 66
壓線圈	Cage Clamp	Brass, Ni Plated	Brass, Ni Plated
端子	Contact	Brass, Tin Plated	Brass, Tin Plated
螺紋	Screw Thread	M2.6, Steel, Zinc Plated	M2.6, Steel, Zinc Plated
電線線徑	Wire Size	14 ~ 26AWG	14 ~ 26AWG
剝線長度	Wire Strip Length	6mm	6mm
PCB孔徑	PCB Hole Diameter	1.3mm	1.3mm
最大緊固扭矩	Tightening Torque, Max.	4.5 Lb-in	4.5 Lb-in
環境作業溫度	Operating Temperature	-40°C to +105°C	-40°C to +105°C

TECHNICAL DATA

連接符合標準 Connection in acc. with standard EN-VDE			
額定電流 I _n	Nominal Current I _n	16A	16A
額定橫截面	Nominal Cross Section	1.5mm ²	1.5mm ²
最大負載電流	Maximum load current	16A	16A
絕緣材料	Insulating Material	PA	PA
阻燃等級,符合UL94 Inflammability class acc. to UL94		V0	V0
額定電壓,UL/CUL Nominal voltage, UL/CUL		300V	300V
額定電流,UL/CUL Nominal current, UL/CUL		16A	16A



MB652 PCB Terminal Block, Single Mold

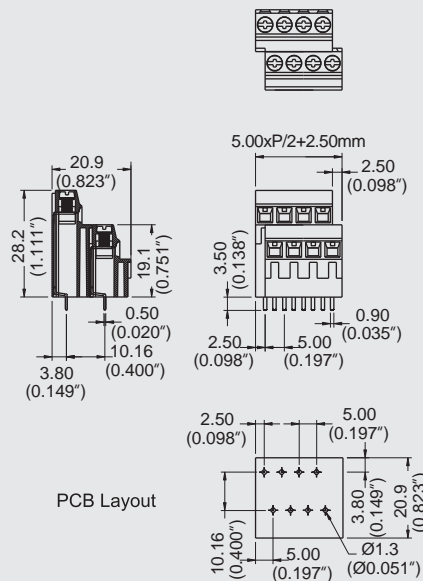


MB

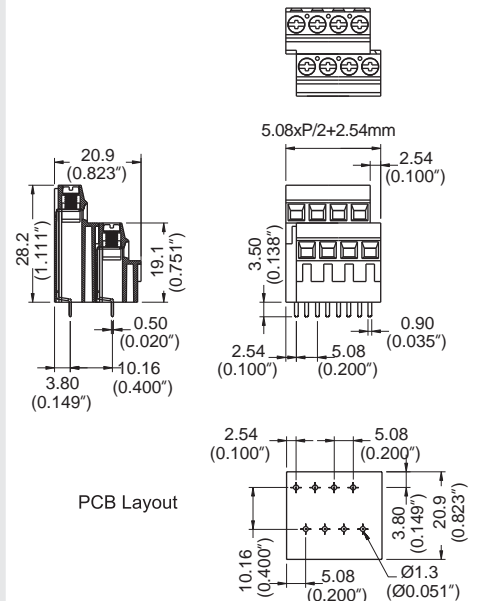
DIMENSIONS/POSITIONS		MB652-500	MB652-508
間距	Pitch	5.00mm	5.08mm
位數	Poles	4 ~ 32Poles	4 ~ 32Poles
塑膠本體	Housing Material	PA 66	PA 66
壓線圈	Cage Clamp	Brass, Ni Plated	Brass, Ni Plated
端子	Contact	Brass, Tin Plated	Brass, Tin Plated
螺紋	Screw Thread	M2.6, Steel, Zinc Plated	M2.6, Steel, Zinc Plated
電線線徑	Wire Size	14 ~ 26AWG	14 ~ 26AWG
剝線長度	Wire Strip Length	6mm	6mm
PCB孔徑	PCB Hole Diameter	1.3mm	1.3mm
最大緊固扭矩	Tightening Torque, Max.	4.5 Lb-in	4.5 Lb-in
環境作業溫度	Operating Temperature	-40°C to +105°C	-40°C to +105°C

TECHNICAL DATA

連接符合標準 Connection in acc. with standard EN-VDE			
額定電流 I _n	Nominal Current I _n	16A	16A
額定橫截面	Nominal Cross Section	1.5mm ²	1.5mm ²
最大負載電流	Maximum load current	16A	16A
絕緣材料	Insulating Material	PA	PA
阻燃等級,符合UL94 Inflammability class acc. to UL94		V0	V0
額定電壓,UL/CUL Nominal voltage, UL/CUL		300V	300V
額定電流,UL/CUL Nominal current, UL/CUL		16A	16A



Note:
Screw Plating: Changes are available upon request



Note:
Screw Plating: Changes are available upon request

MB662 PCB Terminal Block



MB

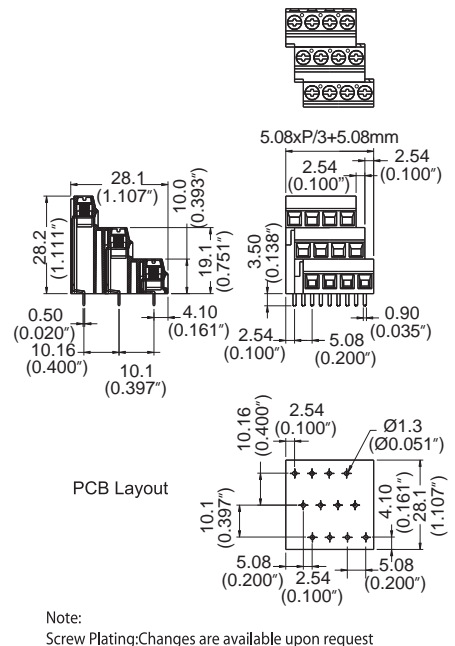
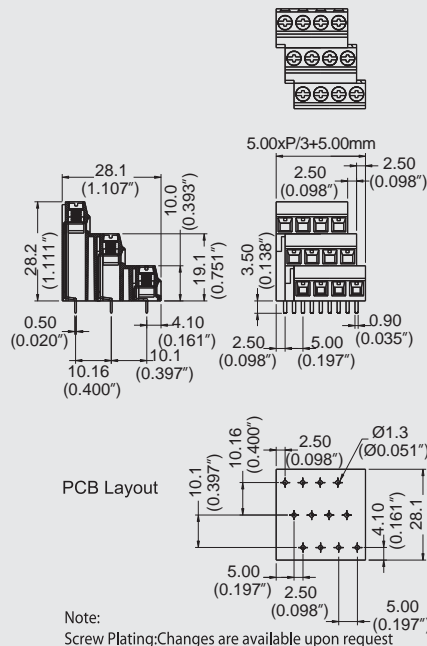


DIMENSIONS/POSITIONS

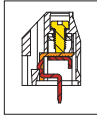
DIMENSIONS/POSITIONS		MB662-500	MB662-508
間距	Pitch	5.00mm	5.08mm
位數	Poles	6 ~ 48Poles	6 ~ 48Poles
塑膠本體	Housing Material	PA 66	PA 66
壓線圈	Cage Clamp	Brass, Ni Plated	Brass, Ni Plated
端子	Contact	Brass, Tin Plated	Brass, Tin Plated
螺紋	Screw Thread	M2.6, Steel, Zinc Plated	M2.6, Steel, Zinc Plated
電線線徑	Wire Size	14 ~ 26AWG	14 ~ 26AWG
剝線長度	Wire Strip Length	6mm	6mm
PCB孔徑	PCB Hole Diameter	1.3mm	1.3mm
最大緊固扭矩	Tightening Torque, Max.	4.5 Lb-in	4.5 Lb-in
環境作業溫度	Operating Temperature	-40°C to +105°C	-40°C to +105°C

TECHNICAL DATA

連接符合標準 Connection in acc. with standard EN-VDE			
額定電流 I _n	Nominal Current I _n	16A	16A
額定橫截面	Nominal Cross Section	1.5mm ²	1.5mm ²
最大負載電流	Maximum load current	16A	16A
絕緣材料	Insulating Material	PA	PA
阻燃等級,符合UL94 Inflammability class acc. to UL94		V0	V0
額定電壓,UL/CUL Nominal voltage, UL/CUL		300V	300V
額定電流,UL/CUL Nominal current, UL/CUL		16A	16A



MB710 PCB Terminal Block, Modular

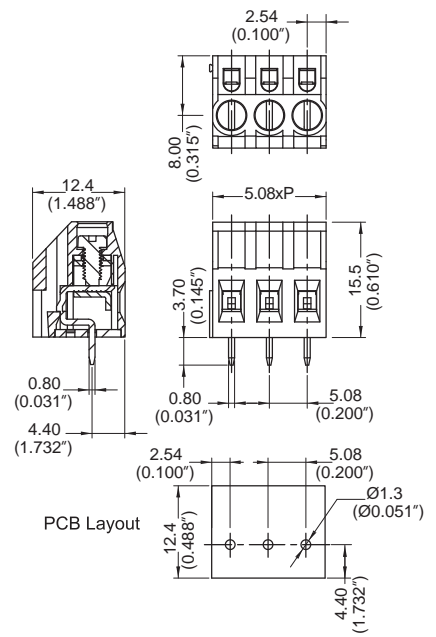
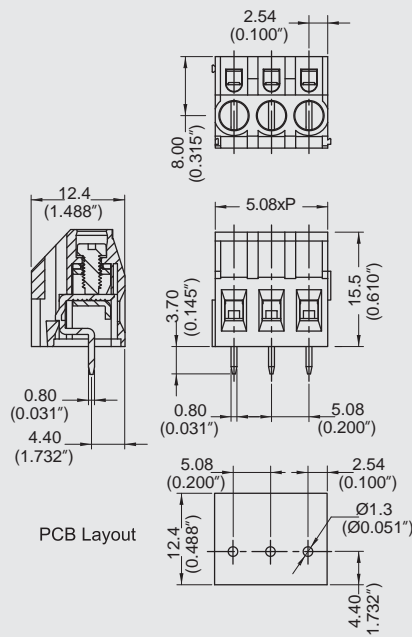


MB

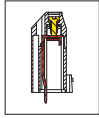
DIMENSIONS/POSITIONS		MB710-508M	MB710-508M..V
間距	Pitch	5.08mm	5.08mm
位數	Poles	2 ~ 3Poles	2 ~ 3Poles
塑膠本體	Housing Material	PA 66	PA 66
壓線圈	Cage Clamp	Steel, Zinc Plated	Steel, Zinc Plated
端子	Contact	Brass, Tin Plated	Brass, Tin Plated
螺紋	Screw Thread	M2.6, Steel, Zinc Plated	M2.6, Steel, Zinc Plated
電線線徑	Wire Size	14 ~ 22AWG	14 ~ 22AWG
剝線長度	Wire Strip Length	6mm ~ 7mm	6mm ~ 7mm
PCB孔徑	PCB Hole Diameter	1.3mm	1.3mm
最大緊固扭矩	Tightening Torque, Max.	3.5 Lb-in	3.5 Lb-in
環境作業溫度	Operating Temperature	-40°C to +105°C	-40°C to +105°C

TECHNICAL DATA

連接符合標準 Connection in acc. with standard EN-VDE			
額定電流 I_n	Nominal Current I_n	15A	15A
額定橫截面	Nominal Cross Section	1.5mm ²	1.5mm ²
最大負載電流	Maximum load current	15A	15A
絕緣材料	Insulating Material	PA	PA
阻燃等級,符合UL94 Inflammability class acc. to UL94		V0	V0
額定電壓,CSA/CSAUS Nominal voltage, CSA/CSAUS		300V	300V
額定電流,CSA/CSAUS Nominal current, CSA/CSAUS		15A	15A



MB720 PCB Terminal Block, Modular

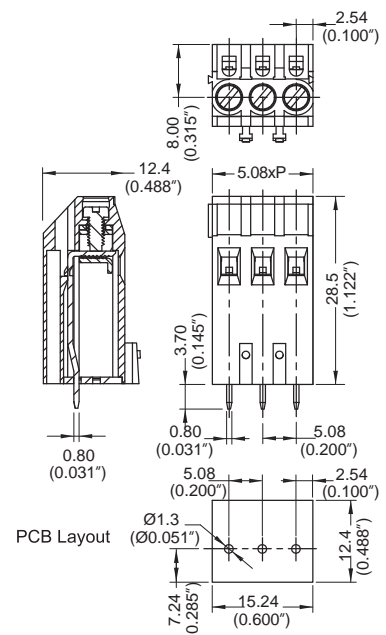
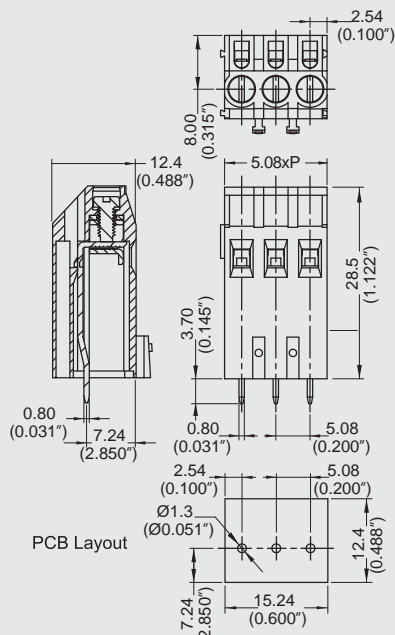


DIMENSIONS/POSITIONS

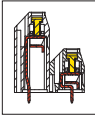
DIMENSIONS/POSITIONS		MB720-508M	MB720-508M..V
間距	Pitch	5.08mm	5.08mm
位數	Poles	2 ~ 3Poles	2 ~ 3Poles
塑膠本體	Housing Material	PA 66	PA 66
壓線圈	Cage Clamp	Steel, Zinc Plated	Steel, Zinc Plated
端子	Contact	Brass, Tin Plated	Brass, Tin Plated
螺紋	Screw Thread	M2.6, Steel, Zinc Plated	M2.6, Steel, Zinc Plated
電線線徑	Wire Size	14 ~ 22AWG	14 ~ 22AWG
剝線長度	Wire Strip Length	6mm ~ 7mm	6mm ~ 7mm
PCB孔徑	PCB Hole Diameter	1.3mm	1.3mm
最大緊固扭矩	Tightening Torque, Max.	3.5 Lb-in	3.5 Lb-in
環境作業溫度	Operating Temperature	-40°C to +105°C	-40°C to +105°C

TECHNICAL DATA

連接符合標準 Connection in acc. with standard EN-VDE			
額定電流 I _n	Nominal Current I _n	15A	15A
額定橫截面	Nominal Cross Section	1.5mm ²	1.5mm ²
最大負載電流	Maximum load current	15A	15A
絕緣材料	Insulating Material	PA	PA
阻燃等級,符合UL94 Inflammability class acc. to UL94		V0	V0
額定電壓,CSA/CSAUS Nominal voltage, CSA/CSAUS		300V	300V
額定電流,CSA/CSAUS Nominal current, CSA/CSAUS		15A	15A



MB740 PCB Terminal Block, Modular

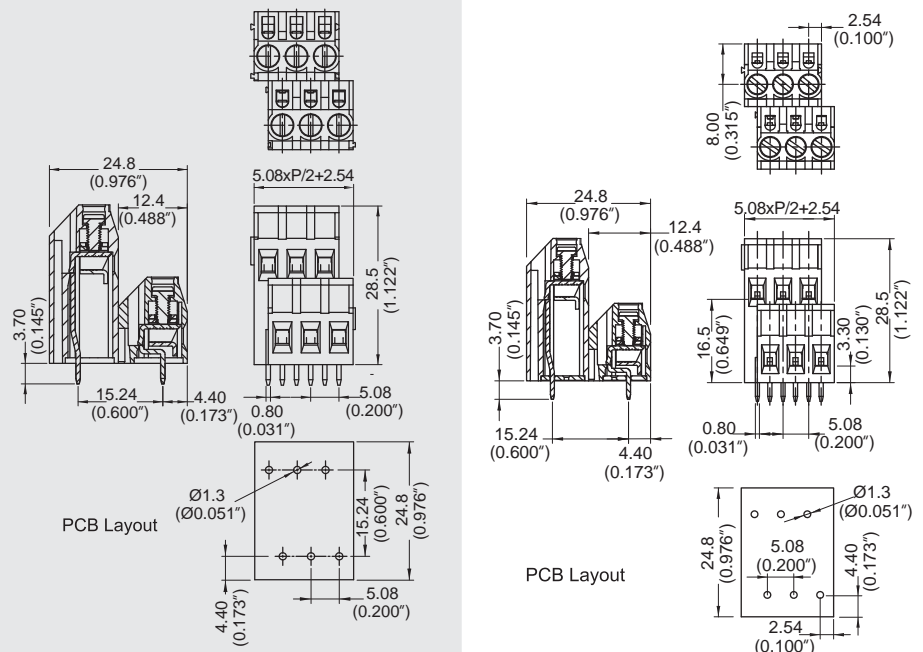


MB

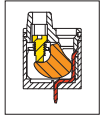
DIMENSIONS/POSITIONS		MB740-508M	MB740-508M..V
間距	Pitch	5.08mm	5.08mm
位數	Poles	4 / 6Poles	4 / 6Poles
塑膠本體	Housing Material	PA 66	PA 66
壓線圈	Cage Clamp	Steel, Zinc Plated	Steel, Zinc Plated
端子	Contact	Brass, Tin Plated	Brass, Tin Plated
螺紋	Screw Thread	M2.6, Steel, Zinc Plated	M2.6, Steel, Zinc Plated
電線線徑	Wire Size	14 ~ 22AWG	14 ~ 22AWG
剝線長度	Wire Strip Length	6mm ~ 7mm	6mm ~ 7mm
PCB孔徑	PCB Hole Diameter	1.3mm	1.3mm
最大緊固扭矩	Tightening Torque, Max.	3.5 Lb-in	3.5 Lb-in
環境作業溫度	Operating Temperature	-40°C to +105°C	-40°C to +105°C

TECHNICAL DATA

連接符合標準 Connection in acc. with standard EN-VDE			
額定電流 I _n	Nominal Current I _n	15A	15A
額定橫截面	Nominal Cross Section	1.5mm ²	1.5mm ²
最大負載電流	Maximum load current	15A	15A
絕緣材料	Insulating Material	PA	PA
阻燃等級,符合UL94 Inflammability class acc. to UL94		V0	V0
額定電壓,CSA/CSAUS Nominal voltage, CSA/CSAUS		300V	300V
額定電流,CSA/CSAUS Nominal current, CSA/CSAUS		15A	15A



MB800 PCB Terminal Block, Modular



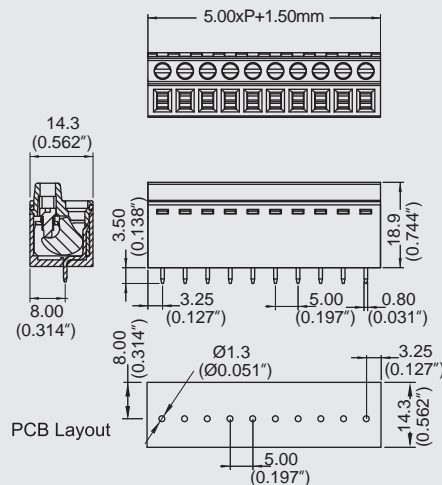
DIMENSIONS/POSITIONS

MB800-500

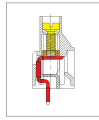
間距	Pitch	5.00mm
位數	Poles	3 ~ 24Poles
塑膠本體	Housing Material	PA 66
壓線圈	Cage Clamp	Steel, Zinc Plated
端子	Contact	Brass, Tin Plated
螺紋	Screw Thread	M2.6, Steel, Zinc Plated
電線線徑	Wire Size	14 ~ 28AWG
剝線長度	Wire Strip Length	8mm ~ 9mm
PCB孔徑	PCB Hole Diameter	1.3mm
最大緊固扭矩	Tightening Torque, Max.	5.3 Lb-in
環境作業溫度	Operating Temperature	-40°C to +105°C

TECHNICAL DATA

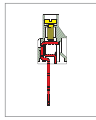
連接符合標準	Connection in acc. with standard EN-VDE	
額定電流 I _n	Nominal Current I _n	18A
額定橫截面	Nominal Cross Section	2.5mm ²
最大負載電流	Maximum load current	18A
絕緣材料	Insulating Material	PA
阻燃等級,符合UL94 Inflammability class acc. to UL94		V0
額定電壓,UL/CUL Nominal voltage, UL/CUL		300V
額定電流,UL/CUL Nominal current, UL/CUL		15A



MB910 PCB Terminal Block, Modular



MB910-635M



MB910-635M..L



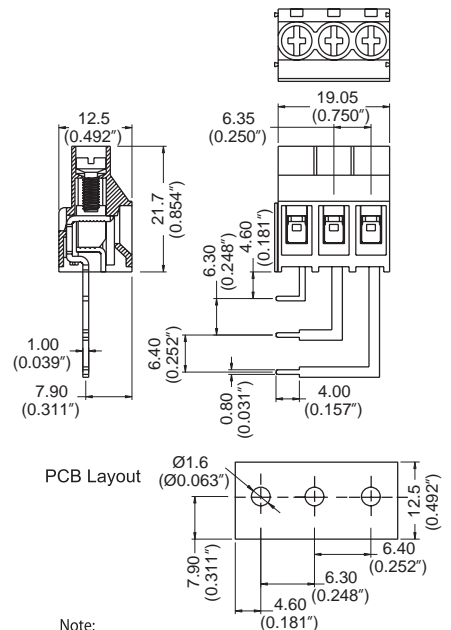
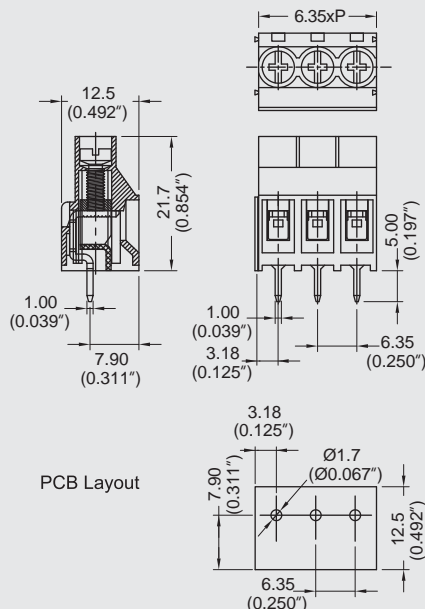
MB

DIMENSIONS/POSITIONS

DIMENSIONS/POSITIONS		MB910-635M	MB910-635M..L
間距	Pitch	6.35mm	6.35mm
位數	Poles	2 ~ 3Poles	2 ~ 3Poles
塑膠本體	Housing Material	PA 66	PA 66
壓線圈	Cage Clamp	Steel, Ni Plated	Steel, Ni Plated
端子	Contact	Brass, Tin Plated	Brass, Tin Plated
螺紋	Screw Thread	M3.0, Steel, Zinc Plated	M3.0, Steel, Zinc Plated
電線線徑	Wire Size	10 ~ 24AWG	10 ~ 24AWG
剝線長度	Wire Strip Length	6mm ~ 7mm	6mm ~ 7mm
PCB孔徑	PCB Hole Diameter	1.7mm	1.6mm
最大緊固扭矩	Tightening Torque, Max.	9.0 Lb-in	9.0 Lb-in
環境作業溫度	Operating Temperature	-40°C to +105°C	-40°C to +105°C

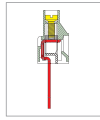
TECHNICAL DATA

連接符合標準 Connection in acc. with standard EN-VDE			
額定電流 I _n	Nominal Current I _n	30A	30A
額定橫截面	Nominal Cross Section	6.0mm ²	6.0mm ²
最大負載電流	Maximum load current	30A	30A
絕緣材料	Insulating Material	PA	PA
阻燃等級,符合UL94 Inflammability class acc. to UL94		V0	V0
額定電壓,UL/CUL Nominal voltage, UL/CUL		300V	300V
額定電流,UL/CUL Nominal current, UL/CUL		30A	28A

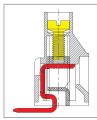


Note:
Screw Plating: Changes are available upon request

MB910 PCB Terminal Block, Modular



MB910-635M..R



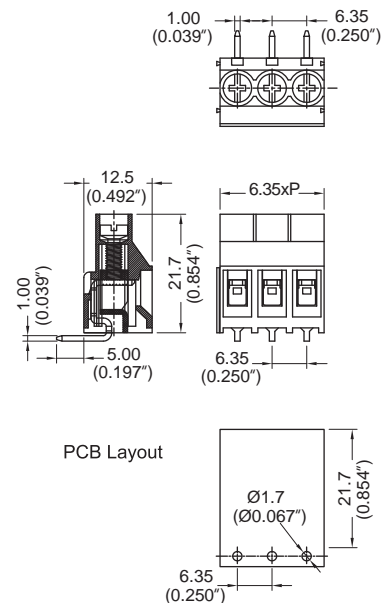
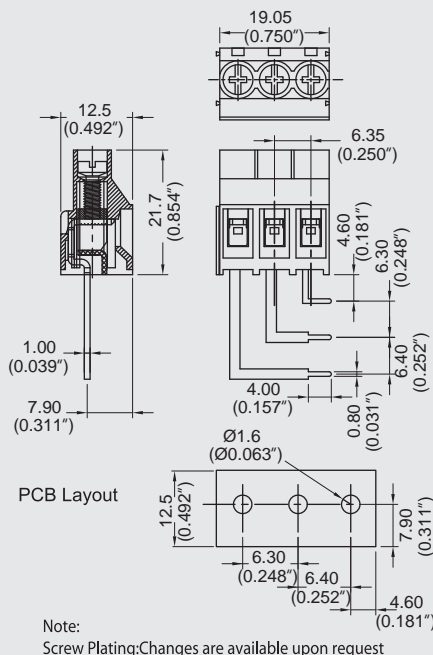
MB910-635M..W

DIMENSIONS/POSITIONS

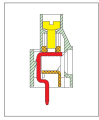
DIMENSIONS/POSITIONS		MB910-635M..R	MB910-635M..W
間距	Pitch	6.35mm	6.35mm
位數	Poles	2 ~ 3Poles	2 ~ 3Poles
塑膠本體	Housing Material	PA 66	PA 66
壓線圈	Cage Clamp	Steel, Ni Plated	Steel, Ni Plated
端子	Contact	Brass, Tin Plated	Brass, Tin Plated
螺紋	Screw Thread	M3.0, Steel, Zinc Plated	M3.0, Steel, Zinc Plated
電線線徑	Wire Size	10 ~ 24AWG	10 ~ 24AWG
PCB孔徑	PCB Hole Diameter	1.6mm	1.7mm
最大緊固扭矩	Tightening Torque, Max.	9.0 Lb-in	9.0 Lb-in
環境作業溫度	Operating Temperature	-40°C to +105°C	-40°C to +105°C

TECHNICAL DATA

連接符合標準 Connection in acc. with standard EN-VDE			
額定電流 I _n	Nominal Current I _n	30A	30A
額定橫截面	Nominal Cross Section	6.0mm ²	6.0mm ²
最大負載電流	Maximum load current	30A	30A
絕緣材料	Insulating Material	PA	PA
阻燃等級,符合UL94 Inflammability class acc. to UL94		V0	V0
額定電壓,UL/CUL Nominal voltage, UL/CUL		300V	300V
額定電流,UL/CUL Nominal current, UL/CUL		28A	30A



MB910 PCB Terminal Block, Modular



MB

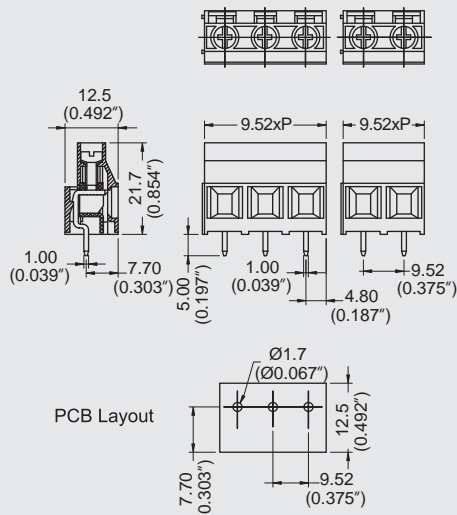
DIMENSIONS/POSITIONS

MB910-952M

間距	Pitch	9.52mm
位數	Poles	2 ~ 3Poles
塑膠本體	Housing Material	PA 66
壓線圈	Cage Clamp	Steel, Ni Plated
端子	Contact	Brass, Tin Plated
螺紋	Screw Thread	M3.0, Steel, Zinc Plated
電線線徑	Wire Size	10 ~ 24AWG
剝線長度	Wire Strip Length	8mm
PCB孔徑	PCB Hole Diameter	1.7mm
最大緊固扭矩	Tightening Torque, Max.	9.0 Lb-in
環境作業溫度	Operating Temperature	-40°C to +105°C

TECHNICAL DATA

連接符合標準	Connection in acc. with standard EN-VDE	
額定電流 I _n	Nominal Current I _n	25A
額定橫截面	Nominal Cross Section	6.0mm ²
最大負載電流	Maximum load current	25A
絕緣材料	Insulating Material	PA
阻燃等級,符合UL94	Inflammability class acc. to UL94	V0
額定電壓,UL/CUL	Nominal voltage, UL/CUL	300V
額定電流,UL/CUL	Nominal current, UL/CUL	30A

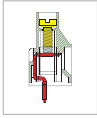


Note:
 Screw Plating: Changes are available upon request
 Cage Clamp: MB912: Brass

MB912 PCB Terminal Block, Modular



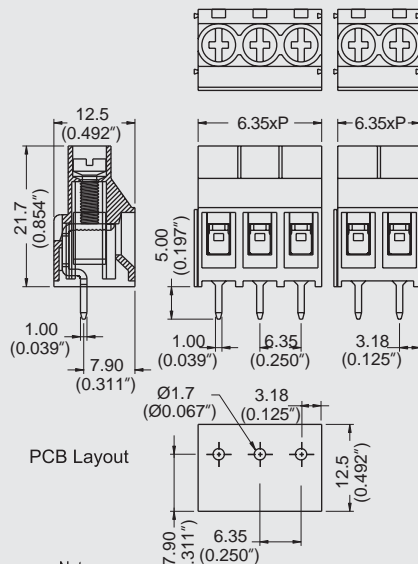
MB



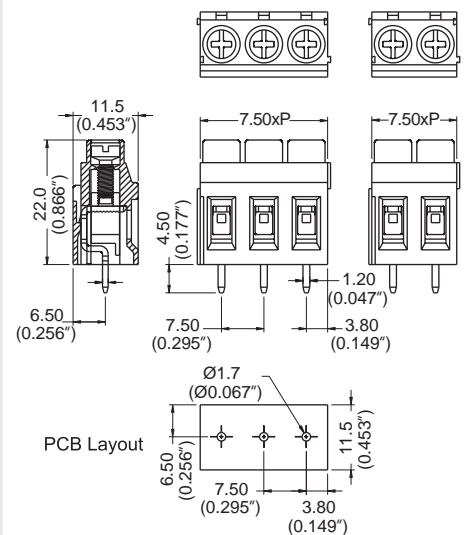
DIMENSIONS/POSITIONS		MB912-635M	MB912-750M
間距	Pitch	6.35mm	7.50mm
位數	Poles	2 ~ 3Poles	2 ~ 3Poles
塑膠本體	Housing Material	PA 66	PA 66
壓線圈	Cage Clamp	Brass, Ni Plated	Brass, Ni Plated
端子	Contact	Brass, Tin Plated	Brass, Tin Plated
螺紋	Screw Thread	M3.0, Steel, Zinc Plated	M3.5, Steel, Zinc Plated
電線線徑	Wire Size	10 ~ 24AWG	10 ~ 24AWG
剝線長度	Wire Strip Length	8mm	8mm
PCB孔徑	PCB Hole Diameter	1.7mm	1.7mm
最大緊固扭矩	Tightening Torque, Max.	5.5 Lb-in	5.5 Lb-in
環境作業溫度	Operating Temperature	-40°C to +105°C	-40°C to +105°C

TECHNICAL DATA

連接符合標準 Connection in acc. with standard EN-VDE			
額定電流 I _n	Nominal Current I _n	30A	30A
額定橫截面	Nominal Cross Section	6.0mm ²	6.0mm ²
最大負載電流	Maximum load current	30A	30A
絕緣材料	Insulating Material	PA	PA
阻燃等級,符合UL94 Inflammability class acc. to UL94		V0	V0
額定電壓,UL/CUL Nominal voltage, UL/CUL		300V	300V
額定電流,UL/CUL Nominal current, UL/CUL		30A	30A

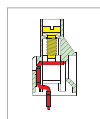


Note:
 Screw Plating: Changes are available upon request
 Cage Clamp: MB910: Steel



Note:
 Screw Plating: Changes are available upon request
 Cage Clamp: MB910: Steel

MB912 PCB Terminal Block, Modular



MB

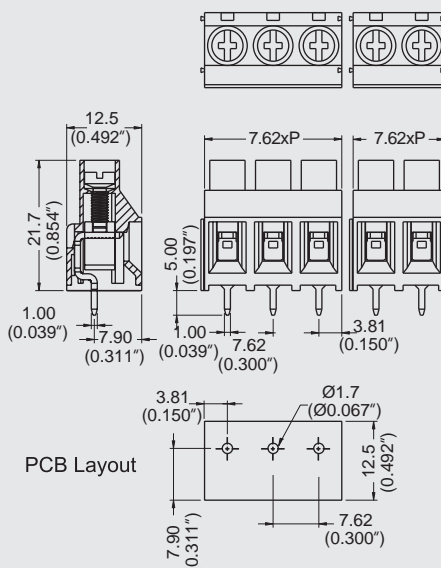
DIMENSIONS/POSITIONS

MB912-762M

間距	Pitch	7.62mm
位數	Poles	2 ~ 3Poles
塑膠本體	Housing Material	PA 66
壓線圈	Cage Clamp	Brass, Ni Plated
端子	Contact	Brass, Tin Plated
螺紋	Screw Thread	M3.0, Steel, Zinc Plated
電線線徑	Wire Size	10 ~ 24AWG
剝線長度	Wire Strip Length	8mm
PCB孔徑	PCB Hole Diameter	1.7mm
最大緊固扭矩	Tightening Torque, Max.	5.5 Lb-in
環境作業溫度	Operating Temperature	-40°C to +105°C

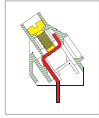
TECHNICAL DATA

連接符合標準	Connection in acc. with standard EN-VDE	
額定電流 I _n	Nominal Current I _n	30A
額定橫截面	Nominal Cross Section	6.0mm ²
最大負載電流	Maximum load current	30A
絕緣材料	Insulating Material	PA
阻燃等級,符合UL94	Inflammability class acc. to UL94	V0
額定電壓,UL/CUL	Nominal voltage, UL/CUL	300V
額定電流,UL/CUL	Nominal current, UL/CUL	30A



Note:
 Screw Plating: Changes are available upon request
 Cage Clamp: MB910: Steel

MB920 PCB Terminal Block, Modular



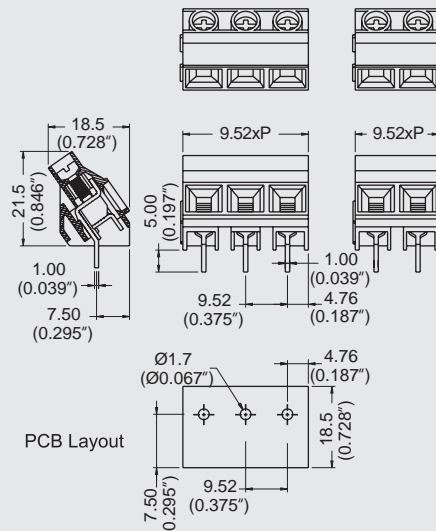
DIMENSIONS/POSITIONS

MB920-952M

間距	Pitch	9.52mm
位數	Poles	2 ~ 3Poles
塑膠本體	Housing Material	PA 66
壓線圈	Cage Clamp	Steel, Ni Plated
端子	Contact	Brass, Tin Plated
螺紋	Screw Thread	M3.0, Steel, Zinc Plated
電線線徑	Wire Size	10 ~ 24AWG
剝線長度	Wire Strip Length	8mm
PCB孔徑	PCB Hole Diameter	1.7mm
最大緊固扭矩	Tightening Torque, Max.	9.0 Lb-in
環境作業溫度	Operating Temperature	-40°C to +105°C

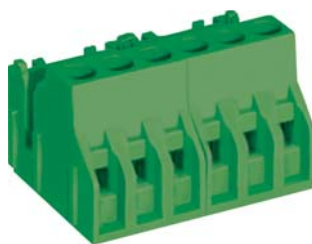
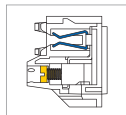
TECHNICAL DATA

連接符合標準	Connection in acc. with standard EN-VDE	
額定電流 I _n	Nominal Current I _n	25A
額定橫截面	Nominal Cross Section	6.0mm ²
最大負載電流	Maximum load current	25A
絕緣材料	Insulating Material	PA
阻燃等級,符合UL94	Inflammability class acc. to UL94	V0
額定電壓,UL/CUL	Nominal voltage, UL/CUL	600V
額定電流,UL/CUL	Nominal current, UL/CUL	30A



Note:
Screw Plating: Changes are available upon request
Cage Clamp: MB922: Brass

MC030 Pluggable PCB Connectors



MC

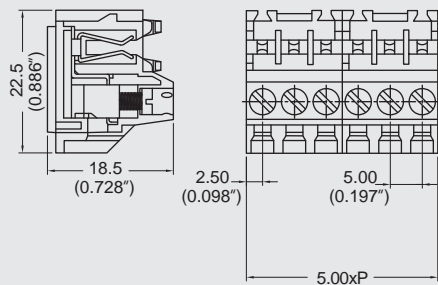
DIMENSIONS/POSITIONS

MC030-500

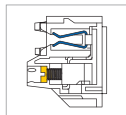
間距	Pitch	5.00mm
位數	Poles	3Poles
塑膠本體	Housing Material	PA 66
壓線圈	Cage Clamp	Brass, Ni Plated
導電夾片	Contact	Phosphor Bronze, Tin Plated
螺紋	Screw Thread	M2.5, Steel, Zinc Plated
電線線徑	Wire Size	12 ~ 28AWG
最大緊固扭矩	Tightening Torque, Max.	4.34 Lb-in
環境作業溫度	Operating Temperature	-40° C to +105° C

TECHNICAL DATA

連接符合標準 Connection in acc. with standard EN-VDE		
額定電流 I _n	Nominal Current I _n	6A
額定橫截面	Nominal Cross Section	-
最大負載電流	Maximum load current	6A
絕緣材料	Insulating Material	PA
阻燃等級,符合UL94 Inflammability class acc. to UL94		V0
額定電壓,UL/CUL Nominal voltage, UL/CUL		300V
額定電流,UL/CUL Nominal current, UL/CUL		6A



MC031 Pluggable PCB Connectors with Flanges



MC

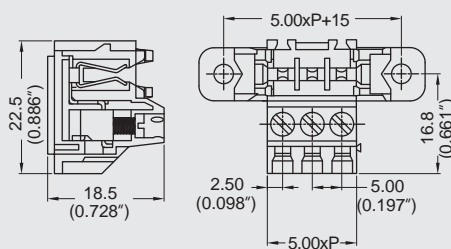
DIMENSIONS/POSITIONS

MC031-500

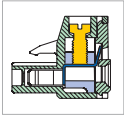
間距	Pitch	5.00mm
位數	Poles	3Poles
塑膠本體	Housing Material	PA 66
壓線圈	Cage Clamp	Brass, Ni Plated
導電夾片	Contact	Phosphor Bronze, Tin Plated
螺紋	Screw Thread	M2.5, Steel, Zinc Plated
電線線徑	Wire Size	12 ~ 28AWG
最大緊固扭矩	Tightening Torque, Max.	4.34 Lb-in
環境作業溫度	Operating Temperature	-40°C to +105°C

TECHNICAL DATA

連接符合標準 Connection in acc. with standard EN-VDE		
額定電流 I _n	Nominal Current I _n	6A
額定橫截面	Nominal Cross Section	-
最大負載電流	Maximum load current	6A
絕緣材料	Insulating Material	PA
阻燃等級,符合UL94 Inflammability class acc. to UL94		V0
額定電壓,UL/CUL Nominal voltage, UL/CUL		300V
額定電流,UL/CUL Nominal current, UL/CUL		6A



MC100 Connector, Pluggable Terminal Blocks

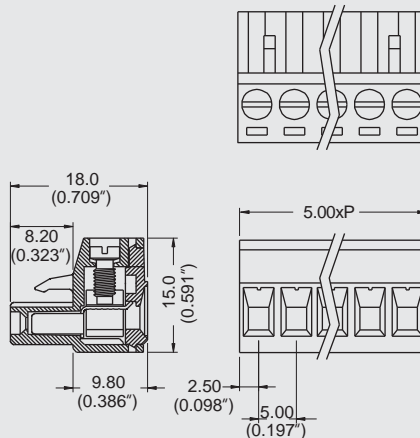


MC

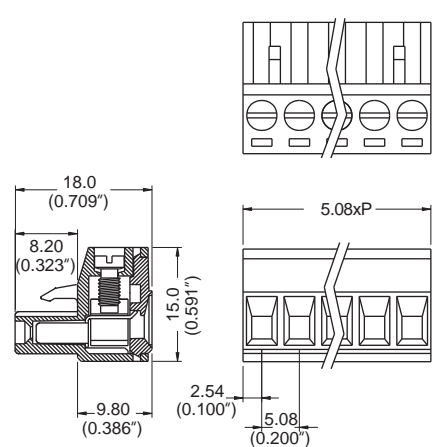
DIMENSIONS/POSITIONS		MC100-500	MC100-508
間距	Pitch	5.00mm	5.08mm
位數	Poles	2 ~ 24Poles	2 ~ 24Poles
塑膠本體	Housing Material	PA 66	PA 66
壓線圈	Cage Clamp	Brass, Ni Plated	Brass, Ni Plated
導電夾片	Contact	Phosphor Bronze, Tin Plated	Phosphor Bronze, Tin Plated
螺紋	Screw Thread	M3.0, Steel, Zinc Plated	M3.0, Steel, Zinc Plated
電線線徑	Wire Size	12 ~ 24AWG	12 ~ 24AWG
剝線長度	Wire Strip Length	7mm	7mm
最大緊固扭矩	Tightening Torque, Max.	7.0 Lb-in	7.0 Lb-in
環境作業溫度	Operating Temperature	-40°C to +105°C	-40°C to +105°C

TECHNICAL DATA

連接符合標準 Connection in acc. with standard EN-VDE			
額定電流 I _n	Nominal Current I _n	16A	16A
額定橫截面	Nominal Cross Section	2.5mm ²	2.5mm ²
最大負載電流	Maximum load current	16A	16A
絕緣材料	Insulating Material	PA	PA
阻燃等級,符合UL94 Inflammability class acc. to UL94		V0	V0
額定電壓,UL/CUL Nominal voltage, UL/CUL		300V	300V
額定電流,UL/CUL Nominal current, UL/CUL		16A	16A

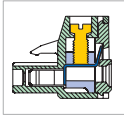


Note:
Screw Plating: Changes are available upon request
Cage Clamp: MC 100 # : Steel



Note:
Screw Plating: Changes are available upon request
Cage Clamp: MC 100 # : Steel

MC100 Connector, Pluggable Terminal Blocks



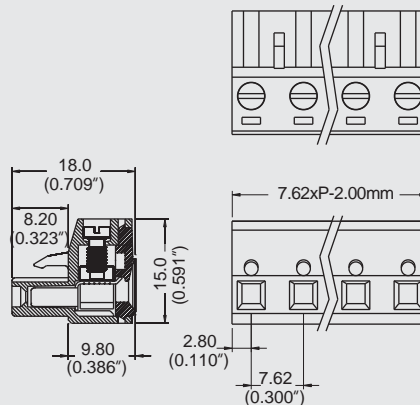
DIMENSIONS/POSITIONS

MC100-762

間距	Pitch	7.62mm
位數	Poles	2 ~ 16Poles
塑膠本體	Housing Material	PA 66
壓線圈	Cage Clamp	Brass, Ni Plated
導電夾片	Contact	Phosphor Bronze, Tin Plated
螺紋	Screw Thread	M3.0, Steel, Zinc Plated
電線線徑	Wire Size	12 ~ 24AWG
剝線長度	Wire Strip Length	7mm
最大緊固扭矩	Tightening Torque, Max.	4.5 Lb-in
環境作業溫度	Operating Temperature	-40°C to +105°C

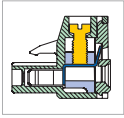
TECHNICAL DATA

連接符合標準 Connection in acc. with standard EN-VDE		
額定電流 I _n	Nominal Current I _n	16A
額定橫截面	Nominal Cross Section	2.5mm ²
最大負載電流	Maximum load current	16A
絕緣材料	Insulating Material	PA
阻燃等級,符合UL94 Inflammability class acc. to UL94		V0
額定電壓,UL/CUL Nominal voltage, UL/CUL		300V
額定電流,UL/CUL Nominal current, UL/CUL		15A



Note:
Screw Plating: Changes are available upon request
Cage Clamp: MC 100 # : Steel

MC101 Pluggable PCB Connector, Plug with Flanges

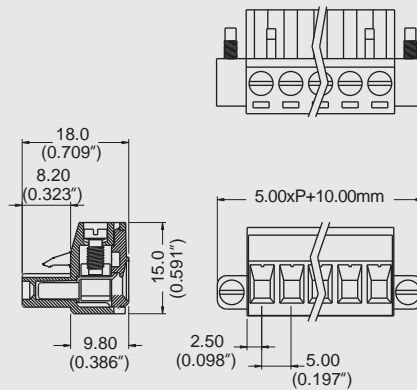


MC

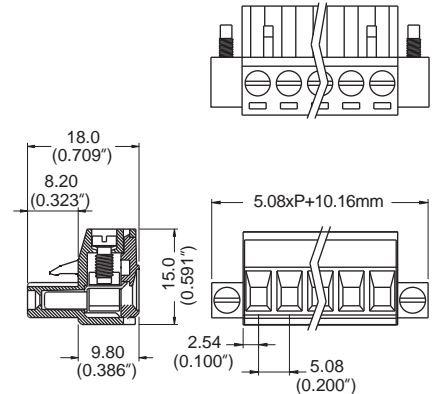
DIMENSIONS/POSITIONS		MC101-500	MC101-508
間距	Pitch	5.00mm	5.08mm
位數	Poles	2 ~ 22Poles	2 ~ 22Poles
塑膠本體	Housing Material	PA 66	PA 66
壓線圈	Cage Clamp	Brass, Ni Plated	Brass, Ni Plated
導電夾片	Contact	Phosphor Bronze, Tin Plated	Phosphor Bronze, Tin Plated
螺紋	Screw Thread	M3.0, Steel, Zinc Plated	M3.0, Steel, Zinc Plated
電線線徑	Wire Size	12 ~ 24AWG	12 ~ 24AWG
剝線長度	Wire Strip Length	7mm	7mm
最大緊固扭矩	Tightening Torque, Max.	7.0 Lb-in	7.0 Lb-in
環境作業溫度	Operating Temperature	-40°C to +105°C	-40°C to +105°C

TECHNICAL DATA

連接符合標準 Connection in acc. with standard EN-VDE			
額定電流 I _n	Nominal Current I _n	16A	16A
額定橫截面	Nominal Cross Section	2.5mm ²	2.5mm ²
最大負載電流	Maximum load current	16A	16A
絕緣材料	Insulating Material	PA	PA
阻燃等級,符合UL94 Inflammability class acc. to UL94		V0	V0
額定電壓,UL/CUL Nominal voltage, UL/CUL		300V	300V
額定電流,UL/CUL Nominal current, UL/CUL		16A	16A

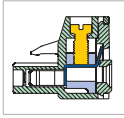


Note:
 Screw Plating: Changes are available upon request
 Cage Clamp: MC 101# : Steel



Note:
 Screw Plating: Changes are available upon request
 Cage Clamp: MC 101# : Steel

MC101 Pluggable PCB Connector, Plug with Flanges



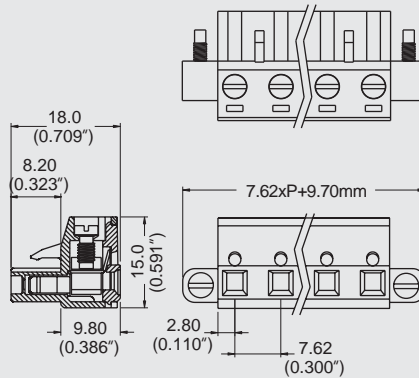
DIMENSIONS/POSITIONS

MC101-762

間距	Pitch	7.62mm
位數	Poles	2 ~ 16Poles
塑膠本體	Housing Material	PA 66
壓線圈	Cage Clamp	Brass, Ni Plated
導電夾片	Contact	Phosphor Bronze, Tin Plated
螺紋	Screw Thread	M3.0, Steel, Zinc Plated
電線線徑	Wire Size	12 ~ 24AWG
剝線長度	Wire Strip Length	7mm
最大緊固扭矩	Tightening Torque, Max.	4.5 Lb-in
環境作業溫度	Operating Temperature	-40°C to +105°C

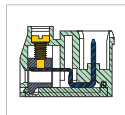
TECHNICAL DATA

連接符合標準 Connection in acc. with standard EN-VDE		
額定電流 I _n	Nominal Current I _n	16A
額定橫截面	Nominal Cross Section	2.5mm ²
最大負載電流	Maximum load current	16A
絕緣材料	Insulating Material	PA
阻燃等級,符合UL94 Inflammability class acc. to UL94		V0
額定電壓,UL/CUL Nominal voltage, UL/CUL		300V
額定電流,UL/CUL Nominal current, UL/CUL		15A



Note:
Screw Plating: Changes are available upon request
Cage Clamp: MC 101 # : Steel

MC122 Pluggable PCB Connector, Plug with Flanges



MC

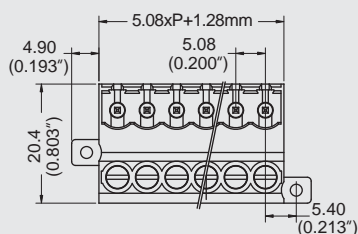
DIMENSIONS/POSITIONS

MC122-508

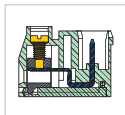
間距	Pitch	5.08mm
位數	Poles	2 ~ 20Poles
塑膠本體	Housing Material	PA 66
壓線圈	Cage Clamp	Brass, Tin Plated
端子通	Contact	Brass, Tin Plated
螺紋	Screw Thread	M3.0, Steel, Zinc Plated
電線線徑	Wire Size	14 ~ 24AWG
最大緊固扭矩	Tightening Torque, Max.	4.5 Lb-in
環境作業溫度	Operating Temperature	-40° C to +105° C

TECHNICAL DATA

連接符合標準 Connection in acc. with standard EN-VDE		
額定電流 I _n	Nominal Current I _n	10A
額定橫截面	Nominal Cross Section	1.5mm ²
最大負載電流	Maximum load current	10A
絕緣材料	Insulating Material	PA
阻燃等級,符合UL94 Inflammability class acc. to UL94		V0
額定電壓,UL/CUL Nominal voltage, UL/CUL		250V
額定電流,UL/CUL Nominal current, UL/CUL		10A



MC123 Pluggable PCB Connector, Plug with Flanges



MC

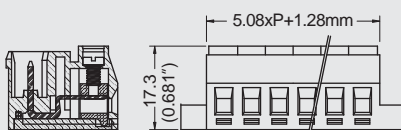
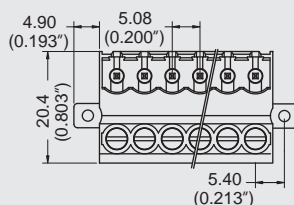
DIMENSIONS/POSITIONS

MC123-508

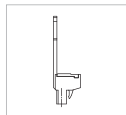
間距	Pitch	5.08mm
位數	Poles	2 ~ 20Poles
塑膠本體	Housing Material	PA 66
壓線圈	Cage Clamp	Brass, Tin Plated
端子	Contact	Brass, Tin Plated
螺紋	Screw Thread	M3.0, Steel, Zinc Plated
電線線徑	Wire Size	12 ~ 24AWG
最大緊固扭矩	Tightening Torque, Max.	4.5 Lb-in
環境作業溫度	Operating Temperature	-40°C to +105°C

TECHNICAL DATA

連接符合標準 Connection in acc. with standard EN-VDE		
額定電流 I _n	Nominal Current I _n	10A
額定橫截面	Nominal Cross Section	2.5mm ²
最大負載電流	Maximum load current	10A
絕緣材料	Insulating Material	PA
阻燃等級,符合UL94 Inflammability class acc. to UL94		V0
額定電壓,UL/CUL Nominal voltage, UL/CUL		300V
額定電流,UL/CUL Nominal current, UL/CUL		10A



MC170 Pluggable PCB Connectors



MC

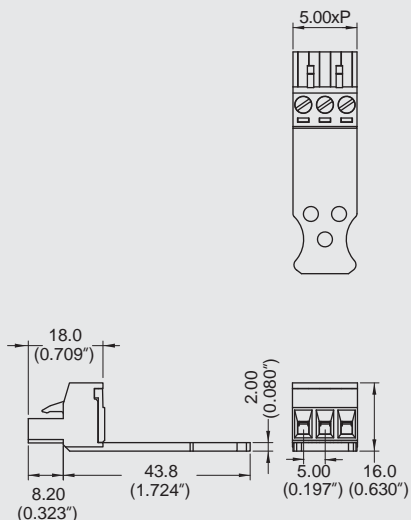
DIMENSIONS/POSITIONS

MC170-500

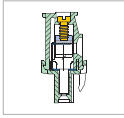
間距	Pitch	5.00mm
位數	Poles	3Poles
塑膠本體	Housing Material	PA 66
壓線圈	Cage Clamp	Brass, Tin Plated
端子	Contact	Phosphor Bronze, Tin Plated
螺紋	Screw Thread	M3.0, Steel, Zinc Plated
電線線徑	Wire Size	12 ~ 24AWG
剝線長度	Wire Strip Length	7mm
最大緊固扭矩	Tightening Torque, Max.	7.0 Lb-in
環境作業溫度	Operating Temperature	-40°C to +105°C

TECHNICAL DATA

連接符合標準 Connection in acc. with standard EN-VDE		
額定電流 I _n Nominal Current I _n		16A
額定橫截面 Nominal Cross Section		2.5mm ²
最大負載電流 Maximum load current		16A
絕緣材料 Insulating Material		PA
阻燃等級,符合UL94 Inflammability class acc. to UL94		V0
額定電壓,UL/CUL Nominal voltage, UL/CUL		300V
額定電流,UL/CUL Nominal current, UL/CUL		16A



MC200 Pluggable PCB Connector

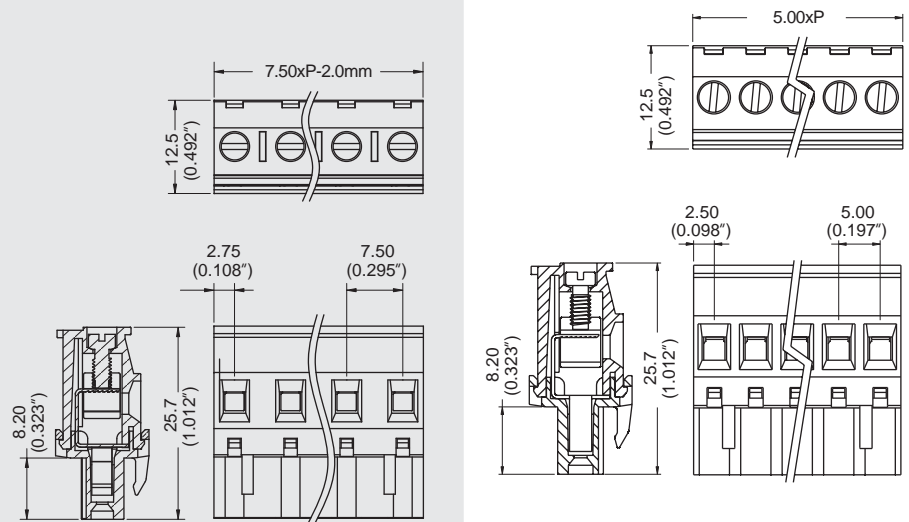


DIMENSIONS/POSITIONS

DIMENSIONS/POSITIONS		MC200-750	MC200-E1
間距	Pitch	7.50mm	5.00mm
位數	Poles	2 ~ 18Poles	2 ~ 24Poles
塑膠本體	Housing Material	PA 66	PA 66
壓線圈	Cage Clamp	Brass, Tin Plated	Brass, Tin Plated
導電夾片	Contact	Phosphor Bronze, Tin Plated	Phosphor Bronze, Tin Plated
螺紋	Screw Thread	M2.6, Steel, Ni Plated	M2.6, Steel, Ni Plated
電線線徑	Wire Size	12 ~ 24AWG	12 ~ 24AWG
剝線長度	Wire Strip Length	7mm	7mm
最大緊固扭矩	Tightening Torque, Max.	6.0 Lb-in	7.0 Lb-in
環境作業溫度	Operating Temperature	-40°C to +105°C	-40°C to +105°C

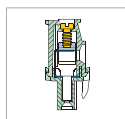
TECHNICAL DATA

連接符合標準 Connection in acc. with standard EN-VDE			
額定電流 I _n	Nominal Current I _n	16A	16A
額定橫截面	Nominal Cross Section	2.5mm ²	2.5mm ²
最大負載電流	Maximum load current	16A	16A
絕緣材料	Insulating Material	PA	PA
阻燃等級,符合UL94 Inflammability class acc. to UL94		V0	V0
額定電壓,UL/CUL Nominal voltage, UL/CUL		300V	300V
額定電流,UL/CUL Nominal current, UL/CUL		16A	16A



Note:
Screw Plating:Changes are available upon request

MC200 Pluggable PCB Connector, Plug



MC

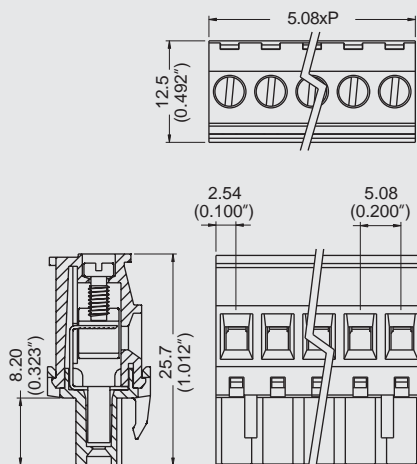
DIMENSIONS/POSITIONS

MC200-F1

間距	Pitch	5.08mm
位數	Poles	2 ~ 24Poles
塑膠本體	Housing Material	PA 66
壓線圈	Cage Clamp	Brass, Tin Plated
導電夾片	Contact	Phosphor Bronze, Tin Plated
螺紋	Screw Thread	M2.6, Steel, Ni Plated
電線線徑	Wire Size	12 ~ 24AWG
剝線長度	Wire Strip Length	7mm
最大緊固扭矩	Tightening Torque, Max.	7.0 Lb-in
環境作業溫度	Operating Temperature	-40°C to +105°C

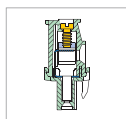
TECHNICAL DATA

連接符合標準 Connection in acc. with standard EN-VDE		
額定電流 I _n	Nominal Current I _n	16A
額定橫截面	Nominal Cross Section	2.5mm ²
最大負載電流	Maximum load current	16A
絕緣材料	Insulating Material	PA
阻燃等級,符合UL94 Inflammability class acc. to UL94		V0
額定電壓,UL/CUL Nominal voltage, UL/CUL		300V
額定電流,UL/CUL Nominal current, UL/CUL		16A



Note:
Screw Plating: Changes are available upon request

MC201 Pluggable PCB Connector, Plug with Flanges

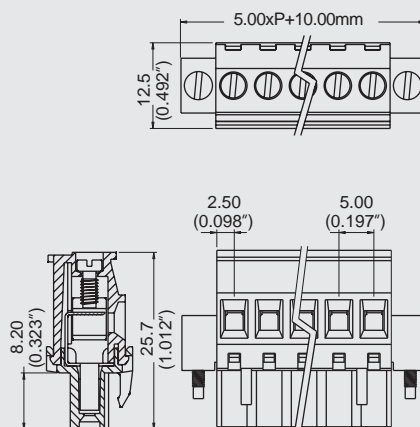


DIMENSIONS/POSITIONS

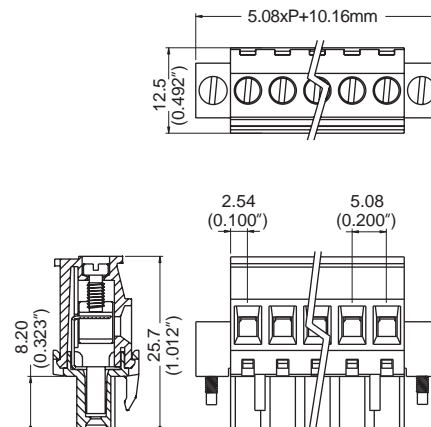
DIMENSIONS/POSITIONS		MC201-E1	MC201-F1
間距	Pitch	5.00mm	5.08mm
位數	Poles	2 ~ 22Poles	2 ~ 22Poles
塑膠本體	Housing Material	PA 66	PA 66
壓線圈	Cage Clamp	Brass, Tin Plated	Brass, Tin Plated
導電夾片	Contact	Phosphor Bronze, Tin Plated	Phosphor Bronze, Tin Plated
螺紋	Screw Thread	M2.6, Steel, Ni Plated	M2.6, Steel, Ni Plated
電線線徑	Wire Size	12 ~ 24AWG	12 ~ 24AWG
剝線長度	Wire Strip Length	7mm	7mm
最大緊固扭矩	Tightening Torque, Max.	7.0 Lb-in	7.0 Lb-in
環境作業溫度	Operating Temperature	-40°C to +105°C	-40°C to +105°C

TECHNICAL DATA

連接符合標準 Connection in acc. with standard EN-VDE			
額定電流 I _n	Nominal Current I _n	16A	16A
額定橫截面	Nominal Cross Section	2.5mm ²	2.5mm ²
最大負載電流	Maximum load current	16A	16A
絕緣材料	Insulating Material	PA	PA
阻燃等級,符合UL94 Inflammability class acc. to UL94		V0	V0
額定電壓,UL/CUL Nominal voltage, UL/CUL		300V	300V
額定電流,UL/CUL Nominal current, UL/CUL		16A	16A

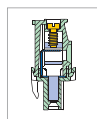


Note:
Screw Plating: Changes are available upon request



Note:
Screw Plating: Changes are available upon request

MC210 Pluggable PCB Connector



MC

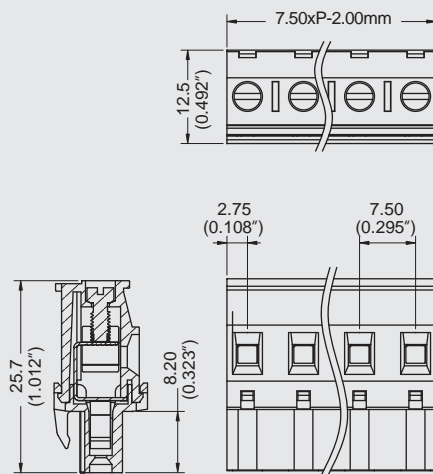
DIMENSIONS/POSITIONS

MC210-750

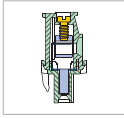
間距	Pitch	7.50mm
位數	Poles	2 ~ 18Poles
塑膠本體	Housing Material	PA 66
壓線圈	Cage Clamp	Brass, Tin Plated
導電夾片	Contact	Phosphor Bronze, Tin Plated
螺紋	Screw Thread	M2.6, Steel, Ni Plated
電線線徑	Wire Size	12 ~ 24AWG
剝線長度	Wire Strip Length	7mm
最大緊固扭矩	Tightening Torque, Max.	6.0 Lb-in
環境作業溫度	Operating Temperature	-40°C to +105°C

TECHNICAL DATA

連接符合標準 Connection in acc. with standard EN-VDE		
額定電流 I _n	Nominal Current I _n	16A
額定橫截面	Nominal Cross Section	2.5mm ²
最大負載電流	Maximum load current	16A
絕緣材料	Insulating Material	PA
阻燃等級,符合UL94 Inflammability class acc. to UL94		V0
額定電壓,UL/CUL Nominal voltage, UL/CUL		300V
額定電流,UL/CUL Nominal current, UL/CUL		16A



MC210 Pluggable PCB Connector

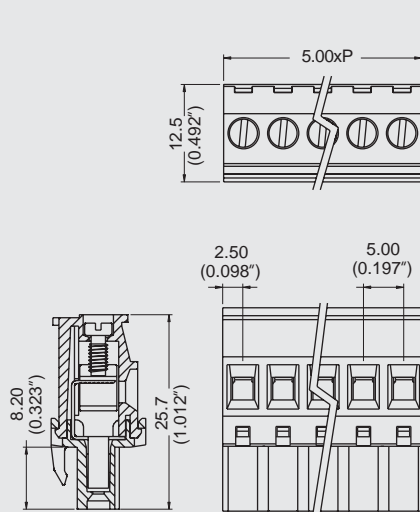


DIMENSIONS/POSITIONS

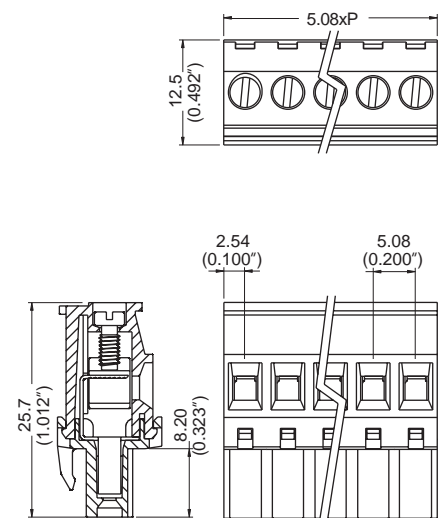
DIMENSIONS/POSITIONS		MC210-E1	MC210-F1
間距	Pitch	5.00mm	5.08mm
位數	Poles	2 ~ 22Poles	2 ~ 24Poles
塑膠本體	Housing Material	PA 66	PA 66
壓線圈	Cage Clamp	Brass, Tin Plated	Brass, Tin Plated
導電夾片	Contact	Phosphor Bronze, Tin Plated	Phosphor Bronze, Tin Plated
螺紋	Screw Thread	M2.6, Steel, Ni Plated	M2.6, Steel, Ni Plated
電線線徑	Wire Size	12 ~ 24AWG	12 ~ 24AWG
剝線長度	Wire Strip Length	7mm	7mm
最大緊固扭矩	Tightening Torque, Max.	7.0 Lb-in	7.0 Lb-in
環境作業溫度	Operating Temperature	-40°C to +105°C	-40°C to +105°C

TECHNICAL DATA

連接符合標準 Connection in acc. with standard EN-VDE			
額定電流 I _n	Nominal Current I _n	16A	16A
額定橫截面	Nominal Cross Section	2.5mm ²	2.5mm ²
最大負載電流	Maximum load current	16A	16A
絕緣材料	Insulating Material	PA	PA
阻燃等級,符合UL94 Inflammability class acc. to UL94		V0	V0
額定電壓,UL/CUL Nominal voltage, UL/CUL		300V	300V
額定電流,UL/CUL Nominal current, UL/CUL		16A	16A

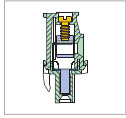


Note:
Screw Plating: Changes are available upon request



Note:
Screw Plating: Changes are available upon request

MC211 Pluggable PCB Connector, Plug with Flanges

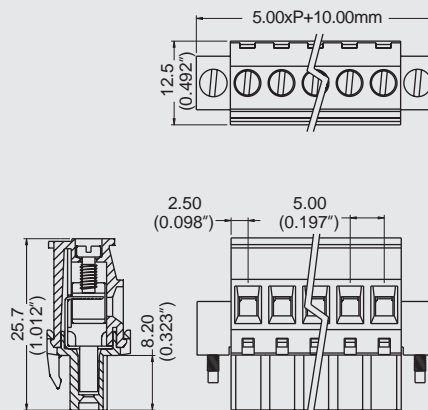


MC

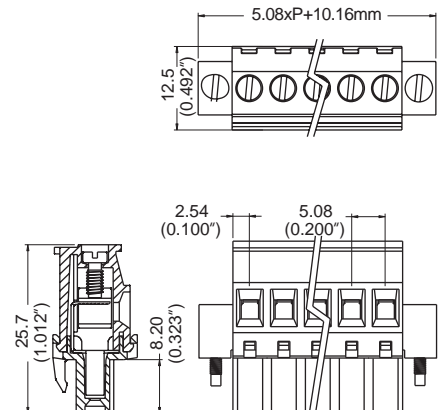
DIMENSIONS/POSITIONS		MC211-E1	MC211-F1
間距	Pitch	5.00mm	5.08mm
位數	Poles	2 ~ 22Poles	2 ~ 22Poles
塑膠本體	Housing Material	PA 66	PA 66
壓線圈	Cage Clamp	Brass, Tin Plated	Brass, Tin Plated
導電夾片	Contact	Phosphor Bronze, Tin Plated	Phosphor Bronze, Tin Plated
螺紋	Screw Thread	M2.6, Steel, Ni Plated	M2.6, Steel, Ni Plated
電線線徑	Wire Size	12 ~ 24AWG	12 ~ 24AWG
剝線長度	Wire Strip Length	7mm	7mm
最大緊固扭矩	Tightening Torque, Max.	7.0 Lb-in	7.0 Lb-in
環境作業溫度	Operating Temperature	-40°C to +105°C	-40°C to +105°C

TECHNICAL DATA

連接符合標準 Connection in acc. with standard EN-VDE			
額定電流 I _n	Nominal Current I _n	16A	16A
額定橫截面	Nominal Cross Section	2.5mm ²	2.5mm ²
最大負載電流	Maximum load current	16A	16A
絕緣材料	Insulating Material	PA	PA
阻燃等級,符合UL94 Inflammability class acc. to UL94		V0	V0
額定電壓,UL/CUL Nominal voltage, UL/CUL		300V	300V
額定電流,UL/CUL Nominal current, UL/CUL		16A	16A

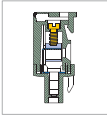


Note:
Screw Plating: Changes are available upon request



Note:
Screw Plating: Changes are available upon request

MC230 Pluggable PCB Connector, Plug

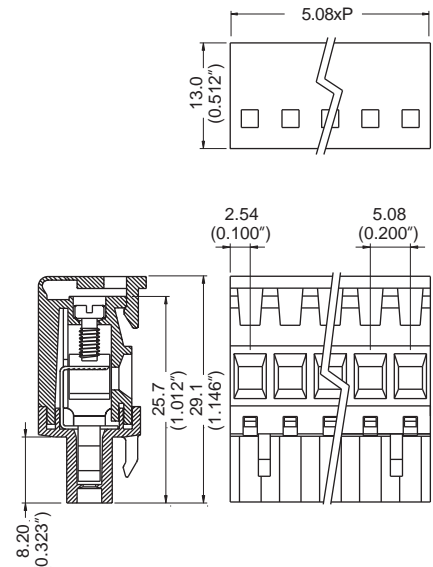
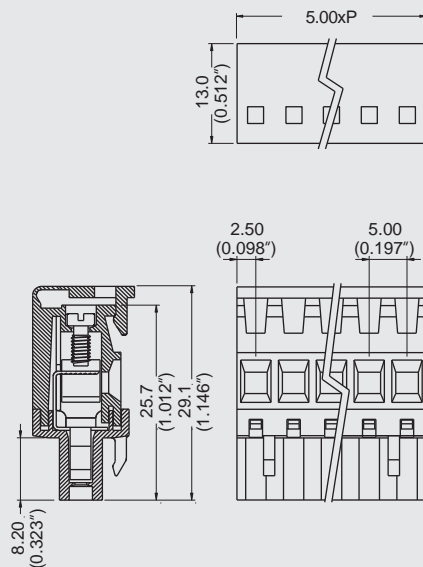


DIMENSIONS/POSITIONS

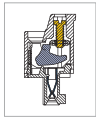
DIMENSIONS/POSITIONS		MC230-500	MC230-508
間距	Pitch	5.00mm	5.08mm
位數	Poles	2 ~ 8Poles	2 ~ 8Poles
塑膠本體	Housing Material	PA 66	PA 66
壓線圈	Cage Clamp	Brass, Tin Plated	Brass, Tin Plated
導電夾片	Contact	Phosphor Bronze, Tin Plated	Phosphor Bronze, Tin Plated
螺紋	Screw Thread	M2.6, Steel, Zinc Plated	M2.6, Steel, Zinc Plated
電線線徑	Wire Size	14 ~ 24AWG	14 ~ 24AWG
最大緊固扭矩	Tightening Torque, Max.	4.5 Lb-in	4.5 Lb-in
環境作業溫度	Operating Temperature	-40°C to +105°C	-40°C to +105°C

TECHNICAL DATA

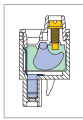
連接符合標準 Connection in acc. with standard EN-VDE			
額定電流 I _n	Nominal Current I _n	16A	16A
額定橫截面	Nominal Cross Section	1.5mm ²	1.5mm ²
最大負載電流	Maximum load current	16A	16A
絕緣材料	Insulating Material	PA	PA
阻燃等級,符合UL94 Inflammability class acc. to UL94		V0	V0
額定電壓,UL/CUL Nominal voltage, UL/CUL		300V	300V
額定電流,UL/CUL Nominal current, UL/CUL		16A	16A



MC310 Pluggable PCB Connector, Plug



MC310-381



MC310-500



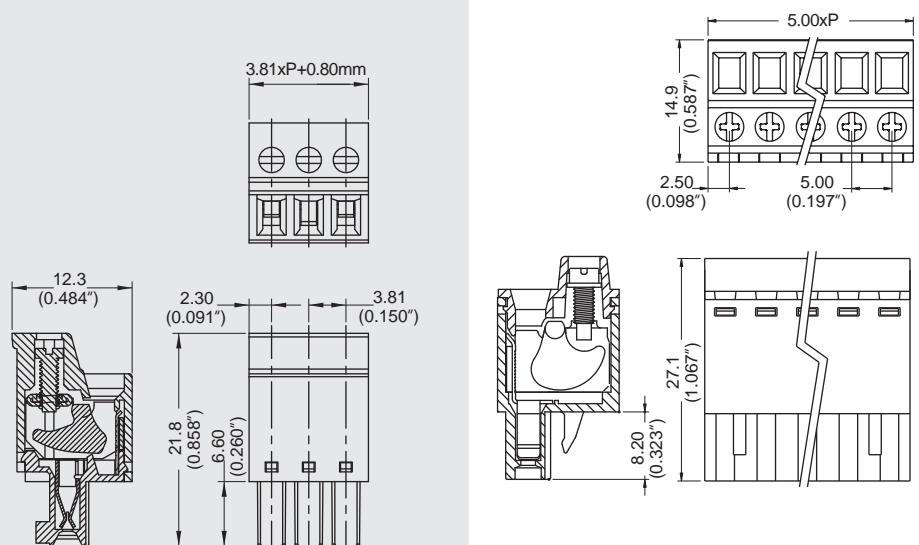
MC

DIMENSIONS/POSITIONS

DIMENSIONS/POSITIONS		MC310-381	MC310-500
間距	Pitch	3.81mm	5.00mm
位數	Poles	2 ~ 20Poles	2 ~ 18Poles
塑膠本體	Housing Material	PA 66	PA 66
壓線圈	Cage Clamp	Steel, Zinc Plated	Brass, Zinc Plated
導電夾片	Contact	Phosphor Bronze, Tin Plated	Phosphor Bronze, Tin Plated
螺紋	Screw Thread	M2.0, Steel, Zinc Plated	M2.6, Steel, Zinc Plated
電線線徑	Wire Size	16 ~ 30AWG	12 ~ 24AWG
剝線長度	Wire Strip Length	9mm	9mm ~ 10mm
最大緊固扭矩	Tightening Torque, Max.	2.5 Lb-in	4.5 Lb-in
環境作業溫度	Operating Temperature	-40°C to +105°C	-40°C to +105°C

TECHNICAL DATA

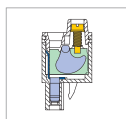
連接符合標準 Connection in acc. with standard EN-VDE			
額定電流 I _n	Nominal Current I _n	8A	16A
額定橫截面	Nominal Cross Section	1.5mm ²	4.0mm ²
最大負載電流	Maximum load current	8A	16A
絕緣材料	Insulating Material	PA	PA
阻燃等級,符合UL94 Inflammability class acc. to UL94		V0	V0
額定電壓,UL/CUL Nominal voltage, UL/CUL		300V	300V
額定電流,UL/CUL Nominal current, UL/CUL		8A	16A



Note:
Screw Plating: Changes are available upon request

MC310 Pluggable PCB Connector, Plug

DECA®



MC

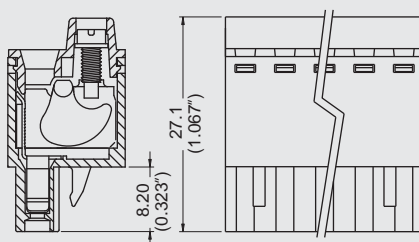
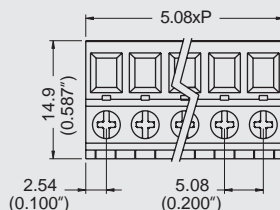
DIMENSIONS/POSITIONS

MC310-508

間距	Pitch	5.08mm
位數	Poles	2 ~ 24Poles
塑膠本體	Housing Material	PA 66
壓線圈	Cage Clamp	Brass, Zinc Plated
導電夾片	Contact	Phosphor Bronze, Tin Plated
螺紋	Screw Thread	M2.6, Steel, Zinc Plated
電線線徑	Wire Size	12 ~ 24AWG
剝線長度	Wire Strip Length	9mm ~ 10mm
最大緊固扭矩	Tightening Torque, Max.	4.5 Lb-in
環境作業溫度	Operating Temperature	-40°C to +105°C

TECHNICAL DATA

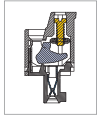
連接符合標準 Connection in acc. with standard EN-VDE		
額定電流 I _n	Nominal Current I _n	16A
額定橫截面	Nominal Cross Section	4.0mm ²
最大負載電流	Maximum load current	16A
絕緣材料	Insulating Material	PA
阻燃等級,符合UL94 Inflammability class acc. to UL94		V0
額定電壓,UL/CUL Nominal voltage, UL/CUL		300V
額定電流,UL/CUL Nominal current, UL/CUL		16A



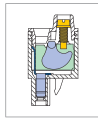
Note:
Screw Plating: Changes are available upon request

MC311 Pluggable PCB Connector, Plug with Flanges

DECA®



MC311-381



MC311-500



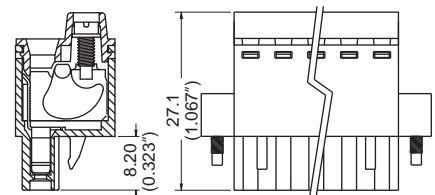
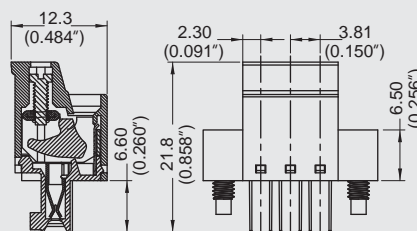
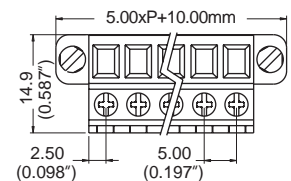
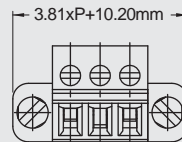
MC

DIMENSIONS/POSITIONS

DIMENSIONS/POSITIONS		MC311-381	MC311-500
間距	Pitch	3.81mm	5.00mm
位數	Poles	2 ~ 20Poles	2 ~ 24Poles
塑膠本體	Housing Material	PA 66	PA 66
壓線圈	Cage Clamp	Steel, Zinc Plated	Steel, Zinc Plated
導電夾片	Contact	Phosphor Bronze, Tin Plated	Phosphor Bronze, Tin Plated
螺紋	Screw Thread	M2.0, Steel, Zinc Plated	M2.6, Steel, Zinc Plated
電線線徑	Wire Size	16 ~ 30AWG	12 ~ 24AWG
剝線長度	Wire Strip Length	9mm	10mm
最大緊固扭矩	Tightening Torque, Max.	2.5 Lb-in	4.5 Lb-in
環境作業溫度	Operating Temperature	-40°C to +105°C	-40°C to +105°C

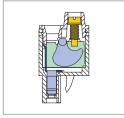
TECHNICAL DATA

連接符合標準 Connection in acc. with standard EN-VDE			
額定電流 I _n	Nominal Current I _n	8A	16A
額定橫截面	Nominal Cross Section	1.5mm ²	4.0mm ²
最大負載電流	Maximum load current	8A	16A
絕緣材料	Insulating Material	PA	PA
阻燃等級,符合UL94 Inflammability class acc. to UL94		V0	V0
額定電壓,UL/CUL Nominal voltage, UL/CUL		300V	300V
額定電流,UL/CUL Nominal current, UL/CUL		8A	16A



Note:
Screw Plating: Changes are available upon request

MC311 Pluggable PCB Connector, Plug with Flanges



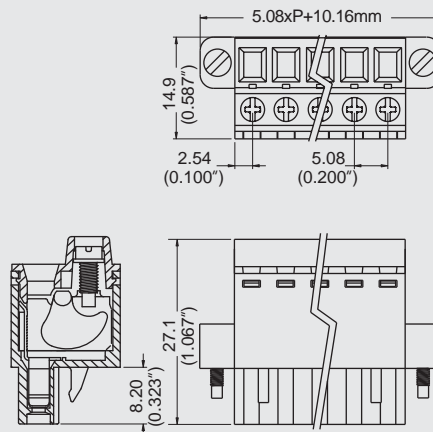
DIMENSIONS/POSITIONS

MC311-508

間距	Pitch	5.08mm
位數	Poles	2 ~ 24Poles
塑膠本體	Housing Material	PA 66
壓線圈	Cage Clamp	Steel, Zinc Plated
導電夾片	Contact	Phosphor Bronze, Tin Plated
螺紋	Screw Thread	M2.6, Steel, Zinc Plated
電線線徑	Wire Size	12 ~ 24AWG
剝線長度	Wire Strip Length	10mm
最大緊固扭矩	Tightening Torque, Max.	4.5 Lb-in
環境作業溫度	Operating Temperature	-40°C to +105°C

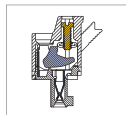
TECHNICAL DATA

連接符合標準 Connection in acc. with standard EN-VDE		
額定電流 I _n	Nominal Current I _n	16A
額定橫截面	Nominal Cross Section	4.0mm ²
最大負載電流	Maximum load current	16A
絕緣材料	Insulating Material	PA
阻燃等級,符合UL94 Inflammability class acc. to UL94		V0
額定電壓,UL/CUL Nominal voltage, UL/CUL		300V
額定電流,UL/CUL Nominal current, UL/CUL		16A



Note:
Screw Plating: Changes are available upon request

MC312 Pluggable PCB Connector, Plug



MC

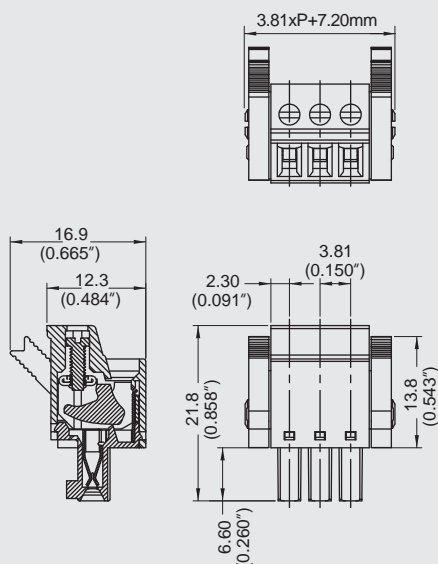
DIMENSIONS/POSITIONS

MC312-381

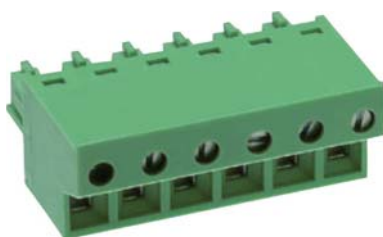
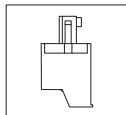
間距	Pitch	3.81mm
位數	Poles	2 ~ 20Poles
塑膠本體	Housing Material	PA 66
壓線圈	Cage Clamp	Steel, Zinc Plated
導電夾片	Contact	Phosphor Bronze, Tin Plated
螺紋	Screw Thread	M2.0, Steel, Zinc Plated
電線線徑	Wire Size	16 ~ 30AWG
剝線長度	Wire Strip Length	9mm
最大緊固扭矩	Tightening Torque, Max.	2.5 Lb-in
環境作業溫度	Operating Temperature	-40°C to +105°C

TECHNICAL DATA

連接符合標準 Connection in acc. with standard EN-VDE		
額定電流 I _n	Nominal Current I _n	8A
額定橫截面	Nominal Cross Section	-
最大負載電流	Maximum load current	8A
絕緣材料	Insulating Material	PA
阻燃等級,符合UL94 Inflammability class acc. to UL94		V0
額定電壓,UL/CUL Nominal voltage, UL/CUL		300V
額定電流,UL/CUL Nominal current, UL/CUL		8A



MC320 Pluggable PCB Connectors



MC

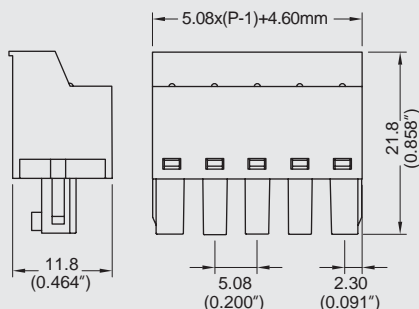
DIMENSIONS/POSITIONS

MC320-508

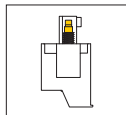
間距	Pitch	5.08mm
位數	Poles	2 ~ 24Poles
塑膠本體	Housing Material	PA 66
壓線圈	Cage Clamp	Brass, Ni Plated
導電夾片	Contact	Phosphor Bronze, Tin Plated
螺紋	Screw Thread	M2.0, Steel, Zinc Plated
電線線徑	Wire Size	14 ~ 28AWG
最大緊固扭矩	Tightening Torque, Max.	2.57 Lb-in
環境作業溫度	Operating Temperature	-40°C to +105°C

TECHNICAL DATA

連接符合標準 Connection in acc. with standard EN-VDE		
額定電流 I _n	Nominal Current I _n	12A
額定橫截面	Nominal Cross Section	-
最大負載電流	Maximum load current	12A
絕緣材料	Insulating Material	PA
阻燃等級,符合UL94 Inflammability class acc. to UL94		V0
額定電壓,UL/CUL Nominal voltage, UL/CUL		300V
額定電流,UL/CUL Nominal current, UL/CUL		12A



MC321 Pluggable PCB Connectors, Plug with Flanges



MC

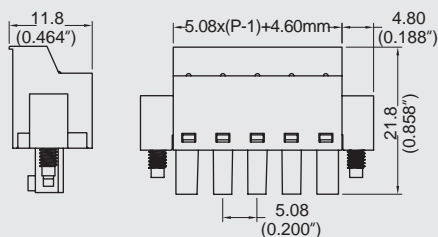
DIMENSIONS/POSITIONS

MC321-508

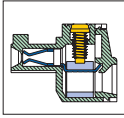
間距	Pitch	5.08mm
位數	Poles	2 ~ 24Poles
塑膠本體	Housing Material	PA 66
壓線圈	Cage Clamp	Brass, Ni Plated
導電夾片	Contact	Phosphor Bronze, Tin Plated
螺紋	Screw Thread	M2.0, Steel, Zinc Plated
電線線徑	Wire Size	14 ~ 28AWG
最大緊固扭矩	Tightening Torque, Max.	2.57 Lb-in
環境作業溫度	Operating Temperature	-40°C to +105°C

TECHNICAL DATA

連接符合標準 Connection in acc. with standard EN-VDE		
額定電流 I _n	Nominal Current I _n	12A
額定橫截面	Nominal Cross Section	-
最大負載電流	Maximum load current	12A
絕緣材料	Insulating Material	PA
阻燃等級,符合UL94 Inflammability class acc. to UL94		V0
額定電壓,UL/CUL Nominal voltage, UL/CUL		300V
額定電流,UL/CUL Nominal current, UL/CUL		12A



MC420 Pluggable PCB Connector, Plug

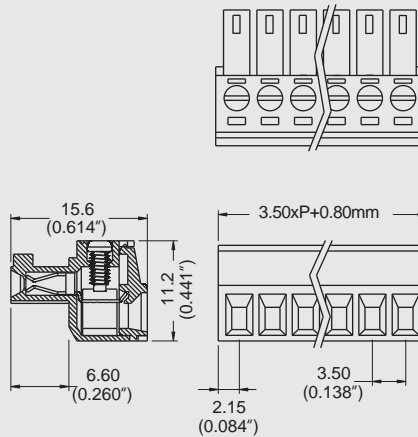


DIMENSIONS/POSITIONS

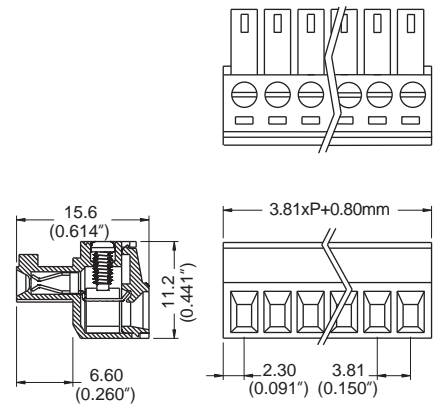
DIMENSIONS/POSITIONS		MC420-350	MC420-381
間距	Pitch	3.50mm	3.81mm
位數	Poles	2 ~ 24Poles	2 ~ 24Poles
塑膠本體	Housing Material	PA 66	PA 66
壓線圈	Cage Clamp	Brass, Ni Plated	Brass, Ni Plated
導電夾片	Contact	Phosphor Bronze, Tin Plated	Phosphor Bronze, Tin Plated
螺紋	Screw Thread	M2.0, Steel, Zinc Plated	M2.0, Steel, Zinc Plated
電線線徑	Wire Size	16 ~ 26AWG	16 ~ 26AWG
剝線長度	Wire Strip Length	5mm ~ 6mm	5mm ~ 6mm
最大緊固扭矩	Tightening Torque, Max.	3.0 Lb-in	3.0 Lb-in
環境作業溫度	Operating Temperature	-40°C to +105°C	-40°C to +105°C

TECHNICAL DATA

連接符合標準 Connection in acc. with standard EN-VDE			
額定電流 I _n	Nominal Current I _n	8A	8A
額定橫截面	Nominal Cross Section	1.5mm ²	1.5mm ²
最大負載電流	Maximum load current	8A	8A
絕緣材料	Insulating Material	PA	PA
阻燃等級,符合UL94 Inflammability class acc. to UL94		V0	V0
額定電壓,UL/CUL Nominal voltage, UL/CUL		300V	300V
額定電流,UL/CUL Nominal current, UL/CUL		10A	10A

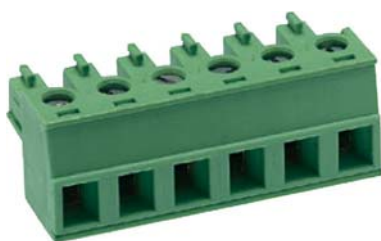
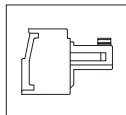


Note:
Screw Plating: Changes are available upon request



Note:
Screw Plating: Changes are available upon request

MC420 Pluggable PCB Connector, Plug



MC

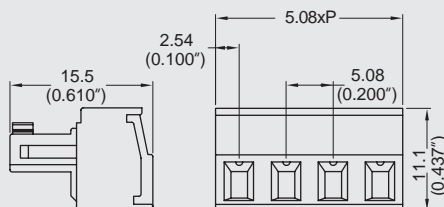
DIMENSIONS/POSITIONS

MC420-508

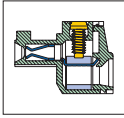
間距	Pitch	5.08mm
位數	Poles	2 ~ 24Poles
塑膠本體	Housing Material	PA 66
壓線圈	Cage Clamp	Brass, Ni Plated
導電夾片	Contact	Phosphor Bronze, Tin Plated
螺紋	Screw Thread	M2.0, Steel, Zinc Plated
電線線徑	Wire Size	14 ~ 30AWG
最大緊固扭矩	Tightening Torque, Max.	4.5 Lb-in
環境作業溫度	Operating Temperature	-40° C to +105° C

TECHNICAL DATA

連接符合標準 Connection in acc. with standard EN-VDE		
額定電流 I _n	Nominal Current I _n	12A
額定橫截面	Nominal Cross Section	-
最大負載電流	Maximum load current	12A
絕緣材料	Insulating Material	PA
阻燃等級,符合UL94 Inflammability class acc. to UL94		V0
額定電壓,UL/CUL Nominal voltage, UL/CUL		300V
額定電流,UL/CUL Nominal current, UL/CUL		12A



MC421 Pluggable PCB Connector, Plug with Flanges

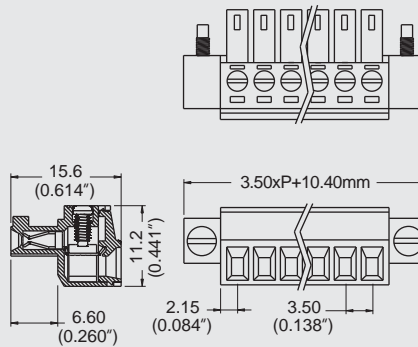


DIMENSIONS/POSITIONS

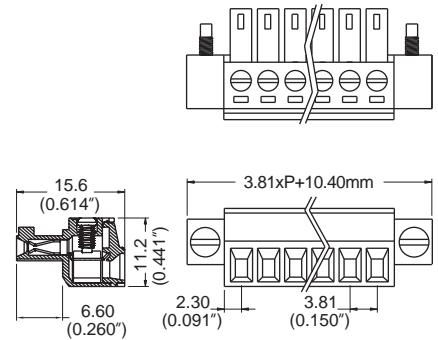
DIMENSIONS/POSITIONS		MC421-350	MC421-381
間距	Pitch	3.50mm	3.81mm
位數	Poles	2 ~ 24Poles	2 ~ 24Poles
塑膠本體	Housing Material	PA 66	PA 66
壓線圈	Cage Clamp	Brass, Ni Plated	Brass, Ni Plated
導電夾片	Contact	Phosphor Bronze, Tin Plated	Phosphor Bronze, Tin Plated
螺紋	Screw Thread	M2.0, Steel, Zinc Plated	M2.0, Steel, Zinc Plated
電線線徑	Wire Size	16 ~ 26AWG	16 ~ 26AWG
剝線長度	Wire Strip Length	5mm ~ 6mm	5mm ~ 6mm
最大緊固扭矩	Tightening Torque, Max.	3.0 Lb-in	3.0 Lb-in
環境作業溫度	Operating Temperature	-40°C to +105°C	-40°C to +105°C

TECHNICAL DATA

連接符合標準 Connection in acc. with standard EN-VDE			
額定電流 I _n	Nominal Current I _n	8A	8A
額定橫截面	Nominal Cross Section	1.5mm ²	1.5mm ²
最大負載電流	Maximum load current	8A	8A
絕緣材料	Insulating Material	PA	PA
阻燃等級,符合UL94 Inflammability class acc. to UL94		V0	V0
額定電壓,UL/CUL Nominal voltage, UL/CUL		300V	300V
額定電流,UL/CUL Nominal current, UL/CUL		10A	10A

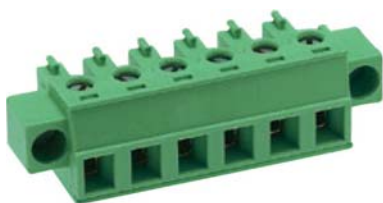
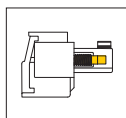


Note:
Screw Plating: Changes are available upon request



Note:
Screw Plating: Changes are available upon request

MC421 Pluggable PCB Connector, Plug with Flanges



MC

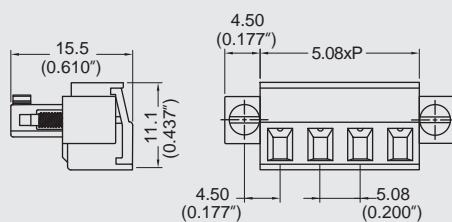
DIMENSIONS/POSITIONS

MC421-508

間距	Pitch	5.08mm
位數	Poles	2 ~ 24Poles
塑膠本體	Housing Material	PA 66
壓線圈	Cage Clamp	Brass, Ni Plated
導電夾片	Contact	Phosphor Bronze, Tin Plated
螺紋	Screw Thread	M2.0, Steel, Zinc Plated
電線線徑	Wire Size	14 ~ 30AWG
最大緊固扭矩	Tightening Torque, Max.	1.77 Lb-in
環境作業溫度	Operating Temperature	-40°C to +105°C

TECHNICAL DATA

連接符合標準 Connection in acc. with standard EN-VDE		
額定電流 I _n	Nominal Current I _n	12A
額定橫截面	Nominal Cross Section	-
最大負載電流	Maximum load current	12A
絕緣材料	Insulating Material	PA
阻燃等級,符合UL94 Inflammability class acc. to UL94		V0
額定電壓,UL/CUL Nominal voltage, UL/CUL		300V
額定電流,UL/CUL Nominal current, UL/CUL		12A



MC422 Pluggable PCB Connector, Plug



MC

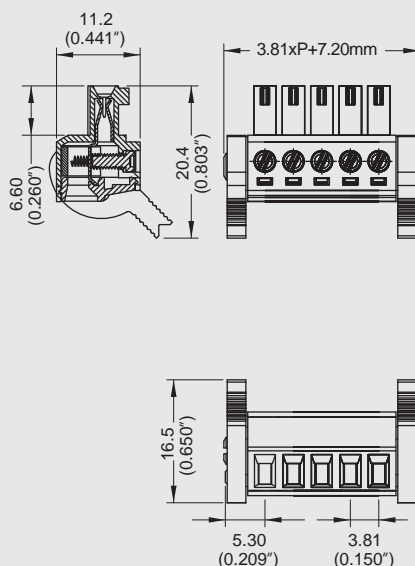
DIMENSIONS/POSITIONS

MC422-381

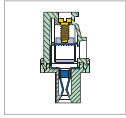
間距	Pitch	3.81mm
位數	Poles	2 ~ 24Poles
塑膠本體	Housing Material	PA 66
壓線圈	Cage Clamp	Brass, Ni Plated
導電夾片	Contact	Phosphor Bronze, Tin Plated
螺紋	Screw Thread	M2.0, Steel, Zinc Plated
電線線徑	Wire Size	16 ~ 26AWG
剝線長度	Wire Strip Length	5mm ~ 6mm
最大緊固扭矩	Tightening Torque, Max.	3.0 Lb-in
環境作業溫度	Operating Temperature	-40°C to +105°C

TECHNICAL DATA

連接符合標準 Connection in acc. with standard EN-VDE		
額定電流 I _n	Nominal Current I _n	8A
額定橫截面	Nominal Cross Section	1.5mm ²
最大負載電流	Maximum load current	8A
絕緣材料	Insulating Material	PA
阻燃等級,符合UL94 Inflammability class acc. to UL94		V0
額定電壓,UL/CUL Nominal voltage, UL/CUL		300V
額定電流,UL/CUL Nominal current, UL/CUL		10A



MC520 Pluggable PCB Connector, Plug

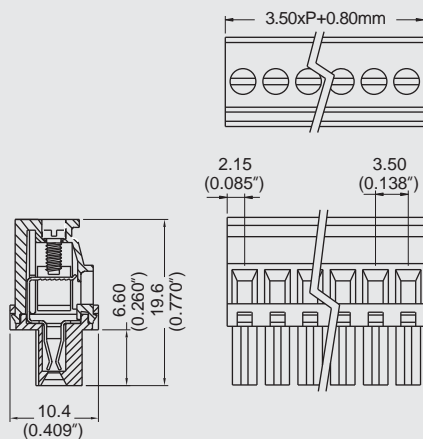


MC

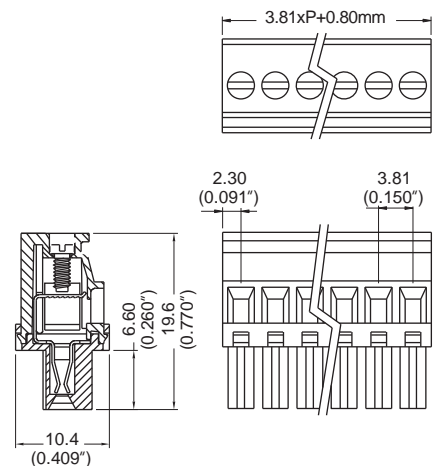
DIMENSIONS/POSITIONS		MC520-350	MC520-381
間距	Pitch	3.50mm	3.81mm
位數	Poles	2 ~ 24Poles	2 ~ 20Poles
塑膠本體	Housing Material	PA 66	PA 66
壓線圈	Cage Clamp	Brass, Ni Plated	Brass, Tin Plated
導電夾片	Contact	Phosphor Bronze, Tin Plated	Phosphor Bronze, Tin Plated
螺紋	Screw Thread	M2.0, Steel, Ni Plated	M2.0, Steel, Ni Plated
電線線徑	Wire Size	16 ~ 24AWG	16 ~ 24AWG
剝線長度	Wire Strip Length	5mm ~ 6mm	5mm ~ 6mm
最大緊固扭矩	Tightening Torque, Max.	3.0 Lb-in	3.0 Lb-in
環境作業溫度	Operating Temperature	-40°C to +105°C	-40°C to +105°C

TECHNICAL DATA

連接符合標準 Connection in acc. with standard EN-VDE			
額定電流 I _n	Nominal Current I _n	8A	8A
額定橫截面	Nominal Cross Section	1.5mm ²	1.5mm ²
最大負載電流	Maximum load current	8A	8A
絕緣材料	Insulating Material	PA	PA
阻燃等級,符合UL94 Inflammability class acc. to UL94		V0	V0
額定電壓,UL/CUL Nominal voltage, UL/CUL		300V	300V
額定電流,UL/CUL Nominal current, UL/CUL		8A	10A

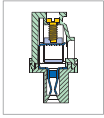


Note:
Screw Plating: Changes are available upon request



Note:
Screw Plating: Changes are available upon request

MC521 Pluggable PCB Connector, Plug with Flanges

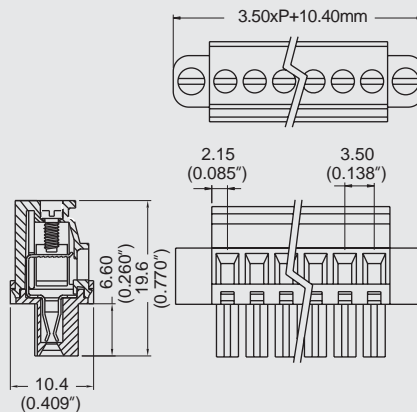


DIMENSIONS/POSITIONS

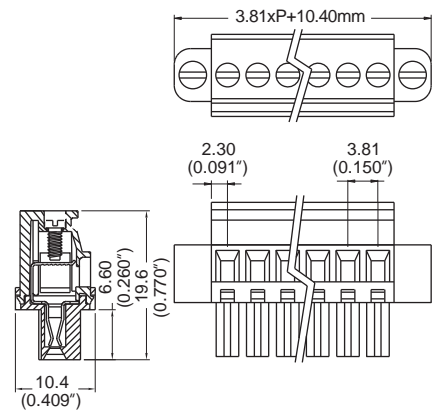
DIMENSIONS/POSITIONS		MC521-350	MC521-381
間距	Pitch	3.50mm	3.81mm
位數	Poles	2 ~ 24Poles	2 ~ 20Poles
塑膠本體	Housing Material	PA 66	PA 66
壓線圈	Cage Clamp	Brass, Ni Plated	Brass, Ni Plated
導電夾片	Contact	Phosphor Bronze, Tin Plated	Phosphor Bronze, Tin Plated
螺紋	Screw Thread	M2.0, Steel, Ni Plated	M2.0, Steel, Ni Plated
電線線徑	Wire Size	16 ~ 24AWG	16 ~ 24AWG
剝線長度	Wire Strip Length	5mm ~ 6mm	5mm ~ 6mm
最大緊固扭矩	Tightening Torque, Max.	3.0 Lb-in	3.0 Lb-in
環境作業溫度	Operating Temperature	-40°C to +105°C	-40°C to +105°C

TECHNICAL DATA

連接符合標準 Connection in acc. with standard EN-VDE			
額定電流 I _n	Nominal Current I _n	8A	8A
額定橫截面	Nominal Cross Section	1.5mm ²	1.5mm ²
最大負載電流	Maximum load current	8A	8A
絕緣材料	Insulating Material	PA	PA
阻燃等級,符合UL94 Inflammability class acc. to UL94		V0	V0
額定電壓,UL/CUL Nominal voltage, UL/CUL		300V	300V
額定電流,UL/CUL Nominal current, UL/CUL		8A	10A

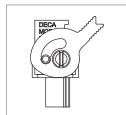


Note:
Screw Plating: Changes are available upon request



Note:
Screw Plating: Changes are available upon request

MC522 Pluggable PCB Connector

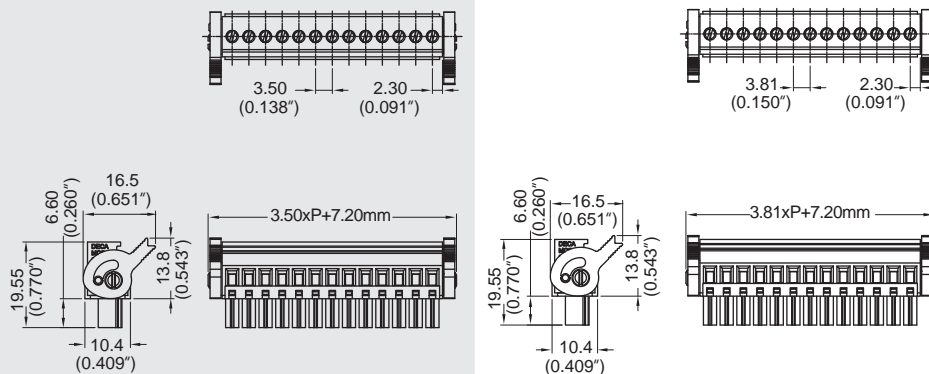


MC

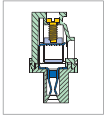
DIMENSIONS/POSITIONS		MC522-350	MC522-381
間距	Pitch	3.50mm	3.81mm
位數	Poles	2 ~ 24Poles	2 ~ 20Poles
塑膠本體	Housing Material	PA 66	PA 66
壓線圈	Cage Clamp	Brass, Ni Plated	Brass, Ni Plated
導電夾片	Contact	Phosphor Bronze, Tin Plated	Phosphor Bronze, Tin Plated
螺紋	Screw Thread	M2.0, Steel, Ni Plated	M2.0, Steel, Ni Plated
電線線徑	Wire Size	16 ~ 24AWG	16 ~ 24AWG
剝線長度	Wire Strip Length	-	5mm ~ 6mm
最大緊固扭矩	Tightening Torque, Max.	3.0 Lb-in	3.0 Lb-in
環境作業溫度	Operating Temperature	-40°C to +105°C	-40°C to +105°C

TECHNICAL DATA

連接符合標準 Connection in acc. with standard EN-VDE			
額定電流 I _n	Nominal Current I _n	8A	8A
額定橫截面	Nominal Cross Section	1.5mm ²	1.5mm ²
最大負載電流	Maximum load current	8A	8A
絕緣材料	Insulating Material	PA	PA
阻燃等級,符合UL94 Inflammability class acc. to UL94		V0	V0
額定電壓,UL/CUL Nominal voltage, UL/CUL		300V	300V
額定電流,UL/CUL Nominal current, UL/CUL		8A	10A



MC560 Pluggable PCB Connector, Plug

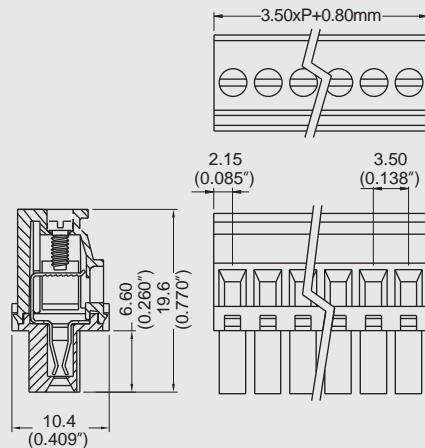


DIMENSIONS/POSITIONS

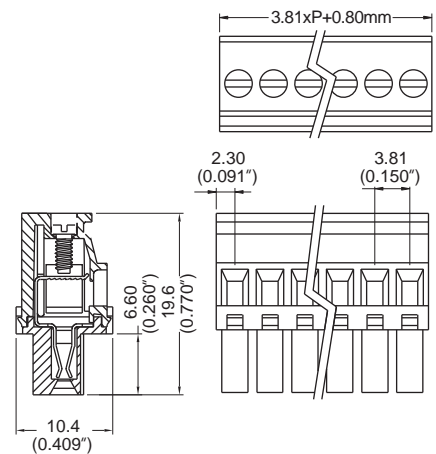
DIMENSIONS/POSITIONS		MC560-350	MC560-381
間距	Pitch	3.50mm	3.81mm
位數	Poles	2 ~ 24Poles	2 ~ 20Poles
塑膠本體	Housing Material	PA 66	PA 66
壓線圈	Cage Clamp	Brass, Ni Plated	Brass, Ni Plated
導電夾片	Contact	Phosphor Bronze, Tin Plated	Phosphor Bronze, Tin Plated
螺紋	Screw Thread	M2.0, Steel, Ni Plated	M2.0, Steel, Ni Plated
電線線徑	Wire Size	16 ~ 24AWG	16 ~ 24AWG
剝線長度	Wire Strip Length	5mm ~ 6mm	5mm ~ 6mm
最大緊固扭矩	Tightening Torque, Max.	3.0 Lb-in	3.0 Lb-in
環境作業溫度	Operating Temperature	-40°C to +105°C	-40°C to +105°C

TECHNICAL DATA

連接符合標準 Connection in acc. with standard EN-VDE			
額定電流 I _n	Nominal Current I _n	8A	8A
額定橫截面	Nominal Cross Section	1.5mm ²	1.5mm ²
最大負載電流	Maximum load current	8A	8A
絕緣材料	Insulating Material	PA	PA
阻燃等級,符合UL94 Inflammability class acc. to UL94		V0	V0
額定電壓,UL/CUL Nominal voltage, UL/CUL		300V	300V
額定電流,UL/CUL Nominal current, UL/CUL		8A	10A

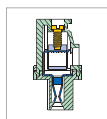


Note:
Screw Plating: Changes are available upon request



Note:
Screw Plating: Changes are available upon request

MC561 Pluggable PCB Connector, Plug with Flanges



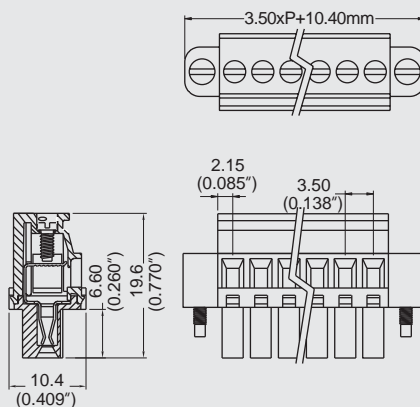
MC

DIMENSIONS/POSITIONS

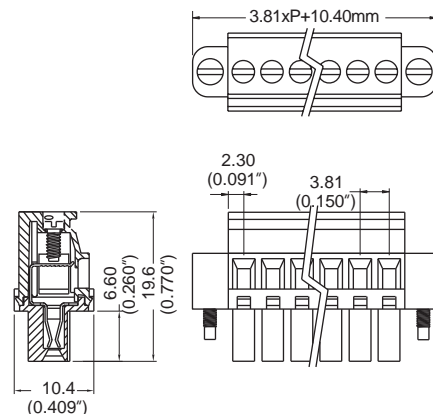
DIMENSIONS/POSITIONS		MC561-350	MC561-381
間距	Pitch	3.50mm	3.81mm
位數	Poles	2 ~ 24Poles	2 ~ 20Poles
塑膠本體	Housing Material	PA 66	PA 66
壓線圈	Cage Clamp	Brass, Ni Plated	Brass, Ni Plated
導電夾片	Contact	Phosphor Bronze, Tin Plated	Phosphor Bronze, Tin Plated
螺紋	Screw Thread	M2.0, Steel, Ni Plated	M2.0, Steel, Ni Plated
電線線徑	Wire Size	16 ~ 24AWG	16 ~ 24AWG
剝線長度	Wire Strip Length	5mm ~ 6mm	5mm ~ 6mm
最大緊固扭矩	Tightening Torque, Max.	3.0 Lb-in	3.0 Lb-in
環境作業溫度	Operating Temperature	-40°C to +105°C	-40°C to +105°C

TECHNICAL DATA

連接符合標準 Connection in acc. with standard EN-VDE			
額定電流 I _n	Nominal Current I _n	8A	8A
額定橫截面	Nominal Cross Section	1.5mm ²	1.5mm ²
最大負載電流	Maximum load current	8A	8A
絕緣材料	Insulating Material	PA	PA
阻燃等級,符合UL94 Inflammability class acc. to UL94		V0	V0
額定電壓,UL/CUL Nominal voltage, UL/CUL		300V	300V
額定電流,UL/CUL Nominal current, UL/CUL		8A	10A

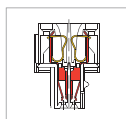


Note:
Screw Plating: Changes are available upon request



Note:
Screw Plating: Changes are available upon request

MC600 Pluggable PCB Connector, Plug



MC

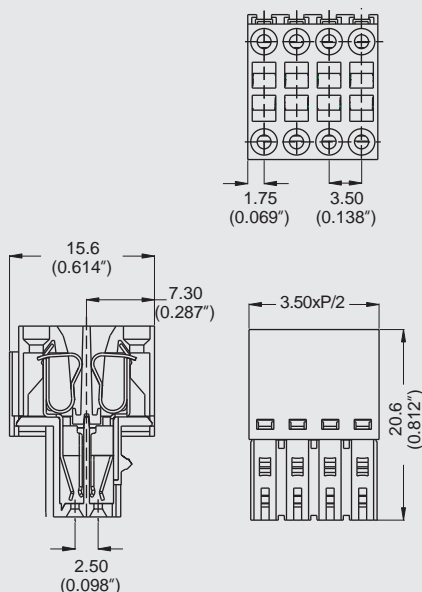
DIMENSIONS/POSITIONS

MC600-350

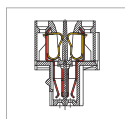
間距	Pitch	3.50mm
位數	Poles	4 ~ 40Poles
塑膠本體	Housing Material	PA 66
彈片	Spring	Stainless Strip Steel
導電夾片	Contact	Phosphor Bronze, Tin Plated
電線線徑	Wire Size	18 ~ 22AWG
剝線長度	Wire Strip Length	7mm
環境作業溫度	Operating Temperature	-40°C to +105°C

TECHNICAL DATA

連接符合標準	Connection in acc. with standard EN-VDE	
額定電流 I _n	Nominal Current I _n	5A
額定橫截面	Nominal Cross Section	0.75mm ²
最大負載電流	Maximum load current	5A
絕緣材料	Insulating Material	PA
阻燃等級,符合UL94 Inflammability class acc. to UL94		V0
額定電壓,UL/CUL Nominal voltage, UL/CUL		150V
額定電流,UL/CUL Nominal current, UL/CUL		5A



MC601 Pluggable PCB Connector, Plug with Flanges



MC

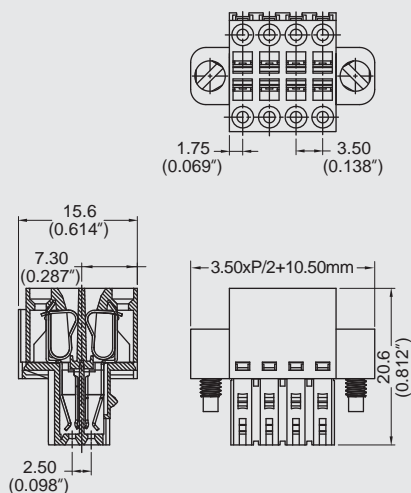
DIMENSIONS/POSITIONS

MC601-350

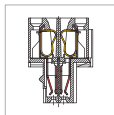
間距	Pitch	3.50mm
位數	Poles	4 ~ 40Poles
塑膠本體	Housing Material	PA 66
彈片	Spring	Stainless Strip Steel
導電夾片	Contact	Phosphor Bronze, Tin Plated
電線線徑	Wire Size	18 ~ 22AWG
剝線長度	Wire Strip Length	7mm
環境作業溫度	Operating Temperature	-40°C to +105°C

TECHNICAL DATA

連接符合標準	Connection in acc. with standard EN-VDE	
額定電流 I _n	Nominal Current I _n	5A
額定橫截面	Nominal Cross Section	0.75mm ²
最大負載電流	Maximum load current	5A
絕緣材料	Insulating Material	PA
阻燃等級,符合UL94	Inflammability class acc. to UL94	
額定電壓,UL/CUL	Nominal voltage, UL/CUL	
額定電流,UL/CUL	Nominal current, UL/CUL	



MC602 Pluggable PCB Connector, Plug



MC

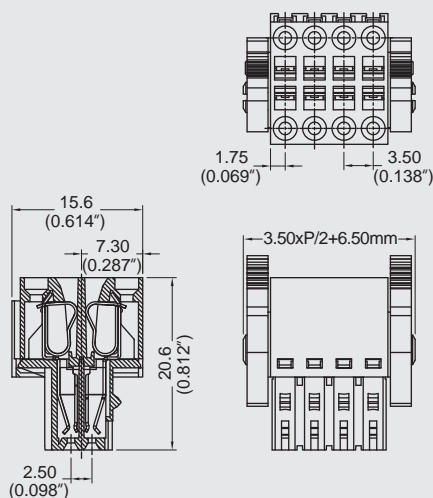
DIMENSIONS/POSITIONS

MC602-350

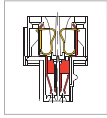
間距	Pitch	3.50mm
位數	Poles	4 ~ 40Poles
塑膠本體	Housing Material	PA 66
彈片	Spring	Stainless Strip Steel
導電夾片	Contact	Phosphor Bronze, Tin Plated
電線線徑	Wire Size	18 ~ 22AWG
環境作業溫度	Operating Temperature	-40°C to +105°C

TECHNICAL DATA

連接符合標準 Connection in acc. with standard EN-VDE		
額定電流 I _n	Nominal Current I _n	5A
額定橫截面	Nominal Cross Section	0.75mm ²
最大負載電流	Maximum load current	5A
絕緣材料	Insulating Material	PA
阻燃等級,符合UL94 Inflammability class acc. to UL94		V0
額定電壓,UL/CUL Nominal voltage, UL/CUL		150V
額定電流,UL/CUL Nominal current, UL/CUL		5A



MC605 Pluggable PCB Connector, Plug



MC

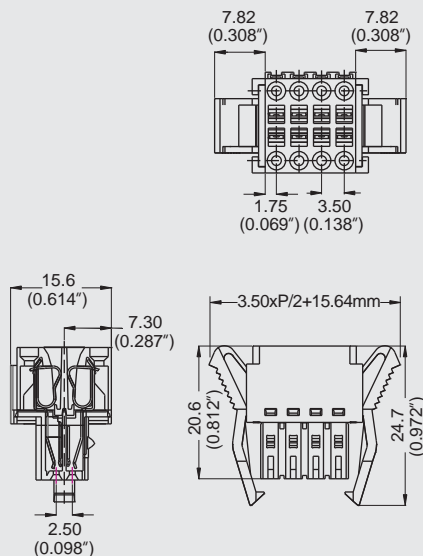
DIMENSIONS/POSITIONS

MC605-350

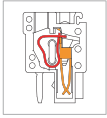
間距	Pitch	3.50mm
位數	Poles	4 ~ 40Poles
塑膠本體	Housing Material	PA 66
彈片	Spring	Stainless Strip Steel
導電夾片	Contact	Phosphor Bronze, Tin Plated
電線線徑	Wire Size	18 ~ 22AWG
剝線長度	Wire Strip Length	7mm
環境作業溫度	Operating Temperature	-40°C to +105°C

TECHNICAL DATA

連接符合標準 Connection in acc. with standard EN-VDE		
額定電流 I _n Nominal Current I _n	5A	
額定橫截面 Nominal Cross Section	0.75mm ²	
最大負載電流 Maximum load current	5A	
絕緣材料 Insulating Material	PA	
阻燃等級,符合UL94 Inflammability class acc. to UL94	V0	
額定電壓,UL/CUL Nominal voltage, UL/CUL	150V	
額定電流,UL/CUL Nominal current, UL/CUL	5A	



MC700 Pluggable PCB Connector, Plug

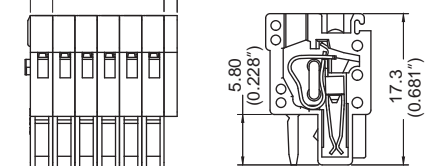
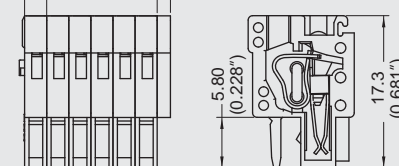
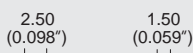
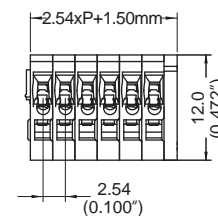
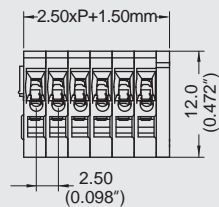


MC

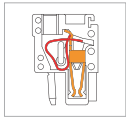
DIMENSIONS/POSITIONS		MC700-250..C	MC700-254..C
間距	Pitch	2.50mm	2.54mm
位數	Poles	2 ~ 24Poles	2 ~ 24Poles
塑膠本體	Housing Material	PA 66	PA 66
彈片	Spring	Stainless Strip Steel	Stainless Strip Steel
導電夾片	Contact	Phosphor Bronze, Tin Plated	Phosphor Bronze, Tin Plated
電線線徑	Wire Size	20 ~ 28AWG	20 ~ 28AWG
剝線長度	Wire Strip Length	5mm ~ 6mm	5mm ~ 6mm
環境作業溫度	Operating Temperature	-40°C to +105°C	-40°C to +105°C

TECHNICAL DATA

連接符合標準 Connection in acc. with standard EN-VDE			
額定電流 I _n	Nominal Current I _n	4A	4A
額定橫截面	Nominal Cross Section	0.5mm ²	0.5mm ²
最大負載電流	Maximum load current	4A	4A
絕緣材料	Insulating Material	PA	PA
阻燃等級,符合UL94 Inflammability class acc. to UL94		V0	V0
額定電壓,UL/CUL Nominal voltage, UL/CUL		150V	150V
額定電流,UL/CUL Nominal current, UL/CUL		4A	4A



MC700 Pluggable PCB Connector, Plug



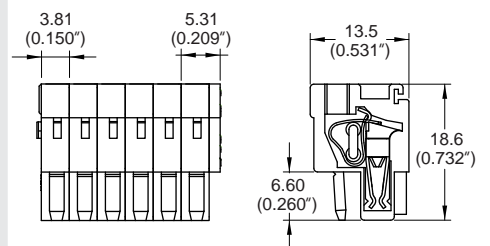
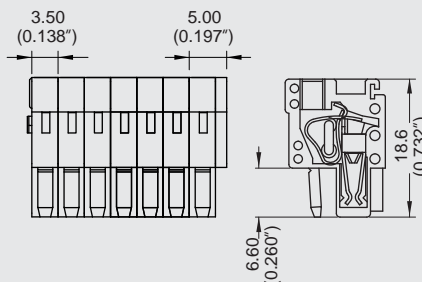
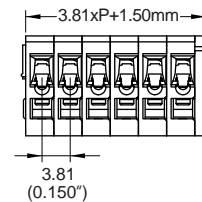
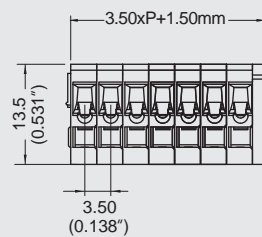
MC

DIMENSIONS/POSITIONS

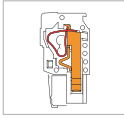
DIMENSIONS/POSITIONS		MC700-350..D	MC700-381..D
間距	Pitch	3.50mm	3.81mm
位數	Poles	2 ~ 26Poles	2 ~ 26Poles
塑膠本體	Housing Material	PA 66	PA 66
彈片	Spring	Stainless Strip Steel	Stainless Strip Steel
導電夾片	Contact	Phosphor Bronze, Tin Plated	Phosphor Bronze, Tin Plated
電線線徑	Wire Size	14 ~ 28AWG	14 ~ 28AWG
剝線長度	Wire Strip Length	6mm ~ 7mm	6mm ~ 7mm
環境作業溫度	Operating Temperature	-40°C to +105°C	-40°C to +105°C

TECHNICAL DATA

連接符合標準 Connection in acc. with standard EN-VDE			
額定電流 I _n	Nominal Current I _n	10A	10A
額定橫截面	Nominal Cross Section	1.5mm ²	1.5mm ²
最大負載電流	Maximum load current	10A	10A
絕緣材料	Insulating Material	PA	PA
阻燃等級,符合UL94 Inflammability class acc. to UL94		V0	V0
額定電壓,UL/CUL Nominal voltage, UL/CUL		300V	300V
額定電流,UL/CUL Nominal current, UL/CUL		10A	10A



MC700 Pluggable PCB Connector, Plug

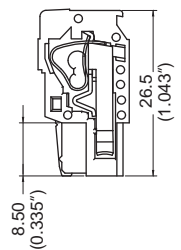
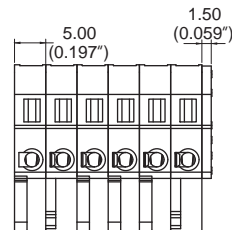
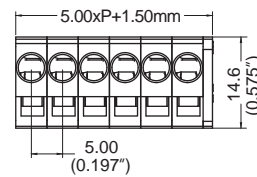
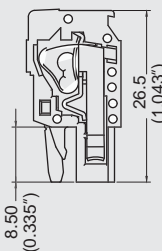
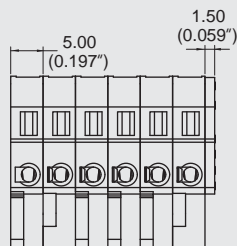
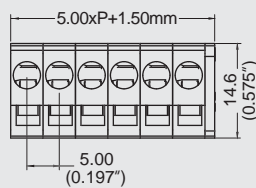


DIMENSIONS/POSITIONS

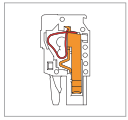
DIMENSIONS/POSITIONS		MC700-500..A	MC700-500..B
間距	Pitch	5.00mm	5.00mm
位數	Poles	2 ~ 22Poles	2 ~ 22Poles
塑膠本體	Housing Material	PA 66	PA 66
彈片	Spring	Stainless Strip Steel	Stainless Strip Steel
導電夾片	Contact	Phosphor Bronze, Tin Plated	Phosphor Bronze, Tin Plated
電線線徑	Wire Size	12 ~ 28AWG	12 ~ 28AWG
剝線長度	Wire Strip Length	8mm ~ 9mm	8mm ~ 9mm
環境作業溫度	Operating Temperature	-40°C to +105°C	-40°C to +105°C

TECHNICAL DATA

連接符合標準 Connection in acc. with standard EN-VDE			
額定電流 I _n	Nominal Current I _n	16A	16A
額定橫截面	Nominal Cross Section	1.5mm ²	1.5mm ²
最大負載電流	Maximum load current	16A	16A
絕緣材料	Insulating Material	PA	PA
阻燃等級,符合UL94 Inflammability class acc. to UL94		V0	V0
額定電壓,UL/CUL Nominal voltage, UL/CUL		300V	300V
額定電流,UL/CUL Nominal current, UL/CUL		16A	16A



MC700 Pluggable PCB Connector, Plug



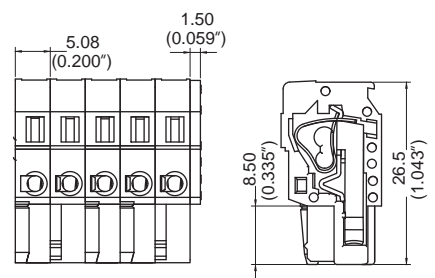
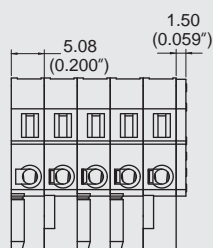
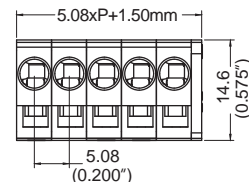
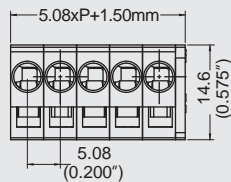
MC

DIMENSIONS/POSITIONS

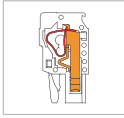
DIMENSIONS/POSITIONS		MC700-508..A	MC700-508..B
間距	Pitch	5.08mm	5.08mm
位數	Poles	2 ~ 24Poles	2 ~ 24Poles
塑膠本體	Housing Material	PA 66	PA 66
彈片	Spring	Stainless Strip Steel	Stainless Strip Steel
導電夾片	Contact	Phosphor Bronze, Tin Plated	Phosphor Bronze, Tin Plated
電線線徑	Wire Size	12 ~ 28AWG	12 ~ 28AWG
剝線長度	Wire Strip Length	8mm ~ 9mm	8mm ~ 9mm
環境作業溫度	Operating Temperature	-40°C to +105°C	-40°C to +105°C

TECHNICAL DATA

連接符合標準 Connection in acc. with standard EN-VDE			
額定電流 I _n	Nominal Current I _n	16A	16A
額定橫截面	Nominal Cross Section	2.5mm ²	2.5mm ²
最大負載電流	Maximum load current	16A	16A
絕緣材料	Insulating Material	PA	PA
阻燃等級,符合UL94 Inflammability class acc. to UL94		V0	V0
額定電壓,UL/CUL Nominal voltage, UL/CUL		300V	300V
額定電流,UL/CUL Nominal current, UL/CUL		16A	16A



MC700 Pluggable PCB Connector, Plug

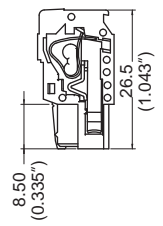
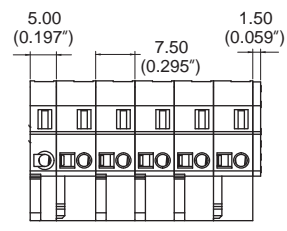
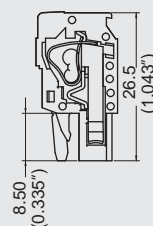
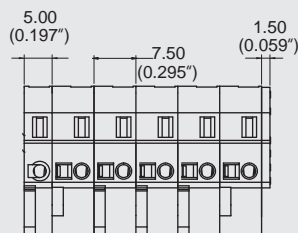
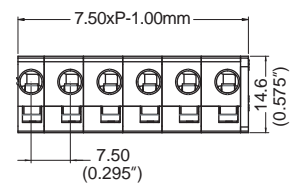
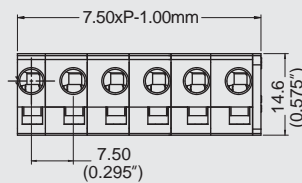


DIMENSIONS/POSITIONS

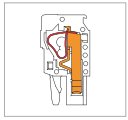
DIMENSIONS/POSITIONS		MC700-750..A	MC700-750..B
間距	Pitch	7.50mm	7.50mm
位數	Poles	2 ~ 24Poles	2 ~ 24Poles
塑膠本體	Housing Material	PA 66	PA 66
彈片	Spring	Stainless Strip Steel	Stainless Strip Steel
導電夾片	Contact	Phosphor Bronze, Tin Plated	Phosphor Bronze, Tin Plated
電線線徑	Wire Size	12 ~ 28AWG	12 ~ 28AWG
剝線長度	Wire Strip Length	8mm ~ 9mm	8mm ~ 9mm
環境作業溫度	Operating Temperature	-40°C to +105°C	-40°C to +105°C

TECHNICAL DATA

連接符合標準 Connection in acc. with standard EN-VDE			
額定電流 I _n	Nominal Current I _n	16A	16A
額定橫截面	Nominal Cross Section	2.5mm ²	v
最大負載電流	Maximum load current	16A	16A
絕緣材料	Insulating Material	PA	PA
阻燃等級,符合UL94 Inflammability class acc. to UL94		V0	V0
額定電壓,UL/CUL Nominal voltage, UL/CUL		300V	300V
額定電流,UL/CUL Nominal current, UL/CUL		16A	16A



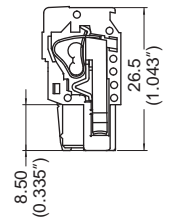
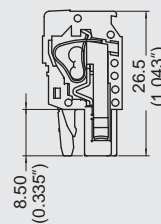
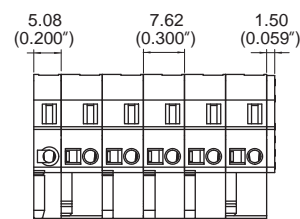
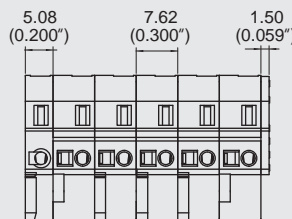
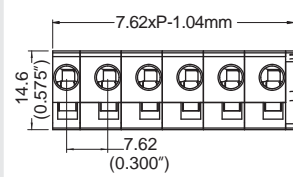
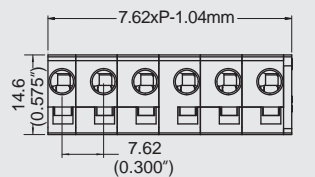
MC700 Pluggable PCB Connector, Plug



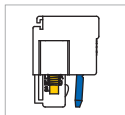
MC

DIMENSIONS/POSITIONS		MC700-762..A	MC700-762..B
間距	Pitch	7.62mm	7.62mm
位數	Poles	2 ~ 24Poles	2 ~ 24Poles
塑膠本體	Housing Material	PA 66	PA 66
彈片	Spring	Stainless Strip Steel	Stainless Strip Steel
導電夾片	Contact	Phosphor Bronze, Tin Plated	Phosphor Bronze, Tin Plated
電線線徑	Wire Size	12 ~ 28AWG	12 ~ 28AWG
剝線長度	Wire Strip Length	8mm ~ 9mm	8mm ~ 9mm
環境作業溫度	Operating Temperature	-40°C to +105°C	-40°C to +105°C

TECHNICAL DATA			
連接符合標準 Connection in acc. with standard EN-VDE			
額定電流 I _n	Nominal Current I _n	16A	16A
額定橫截面	Nominal Cross Section	2.5mm ²	2.5mm ²
最大負載電流	Maximum load current	16A	16A
絕緣材料	Insulating Material	PA	PA
阻燃等級,符合UL94 Inflammability class acc. to UL94		V0	V0
額定電壓,UL/CUL Nominal voltage, UL/CUL		300V	300V
額定電流,UL/CUL Nominal current, UL/CUL		16A	16A



MC701 Pluggable PCB Connector, Plug with Flanges



MC

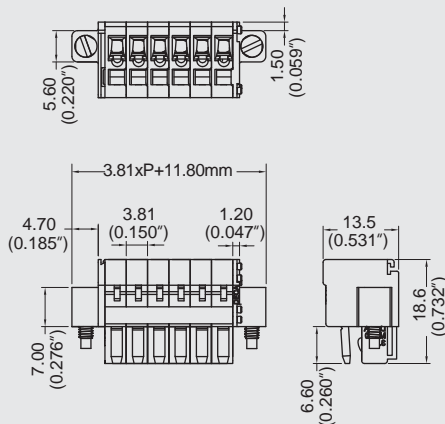
DIMENSIONS/POSITIONS

MC701-381

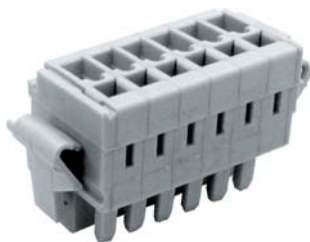
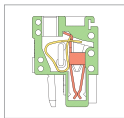
間距	Pitch	3.81mm
位數	Poles	2 ~ 24Poles
塑膠本體	Housing Material	PA 66
彈片	Spring	Stainless Strip Steel
導電夾片	Contact	Phosphor Bronze, Tin Plated
電線線徑	Wire Size	14 ~ 28AWG
剝線長度	Wire Strip Length	7mm ~ 8mm
環境作業溫度	Operating Temperature	-40°C to +105°C

TECHNICAL DATA

連接符合標準 Connection in acc. with standard EN-VDE		
額定電流 I _N Nominal Current I _N	10A	
額定橫截面 Nominal Cross Section	1.5mm ²	
最大負載電流 Maximum load current	10A	
絕緣材料 Insulating Material	PA	
阻燃等級,符合UL94 Inflammability class acc. to UL94	V0	
額定電壓,UL/CUL Nominal voltage, UL/CUL	300V	
額定電流,UL/CUL Nominal current, UL/CUL	10A	



MC705 Pluggable PCB Connector, Plug



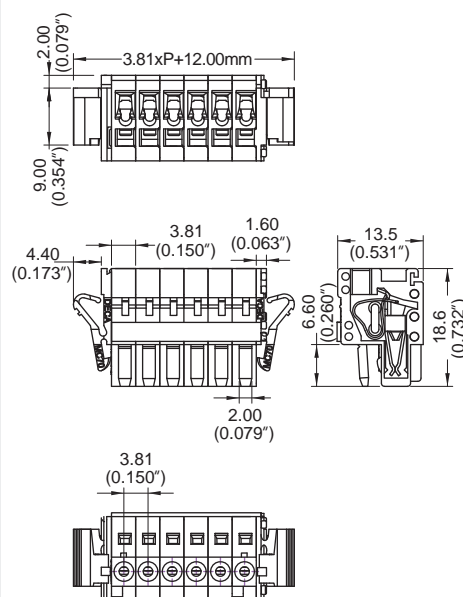
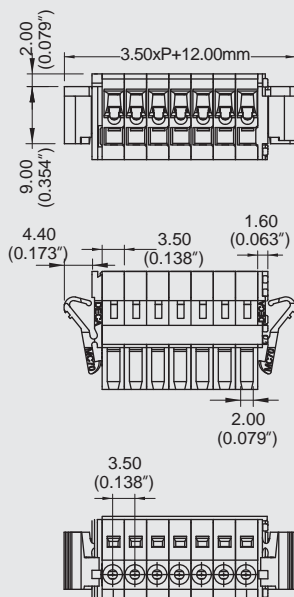
MC

DIMENSIONS/POSITIONS

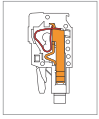
DIMENSIONS/POSITIONS		MC705-350..D	MC705-381..D
間距	Pitch	3.50mm	3.81mm
位數	Poles	2 ~ 26Poles	2 ~ 26Poles
塑膠本體	Housing Material	PA 66	PA 66
彈片	Spring	Stainless Strip Steel	Stainless Strip Steel
導電夾片	Contact	Phosphor Bronze, Tin Plated	Phosphor Bronze, Tin Plated
電線線徑	Wire Size	14 ~ 28AWG	14 ~ 28AWG
剝線長度	Wire Strip Length	7mm ~ 8mm	7mm ~ 8mm
環境作業溫度	Operating Temperature	-40°C to +105°C	-40°C to +105°C

TECHNICAL DATA

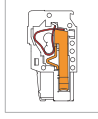
連接符合標準 Connection in acc. with standard EN-VDE			
額定電流 I _n	Nominal Current I _n	10A	10A
額定橫截面	Nominal Cross Section	1.5mm ²	1.5mm ²
最大負載電流	Maximum load current	10A	10A
絕緣材料	Insulating Material	PA	PA
阻燃等級,符合UL94 Inflammability class acc. to UL94		V0	V0
額定電壓,UL/CUL Nominal voltage, UL/CUL		300V	300V
額定電流,UL/CUL Nominal current, UL/CUL		10A	10A



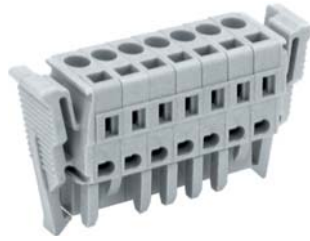
MC705 Pluggable PCB Connector, Plug



MC705-500..A



MC705-500..B

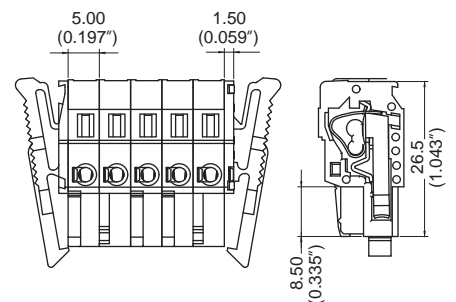
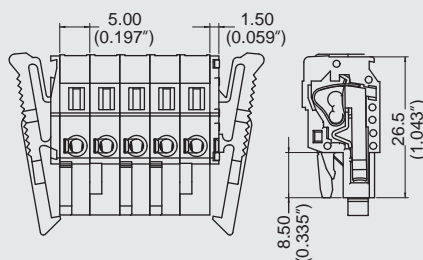
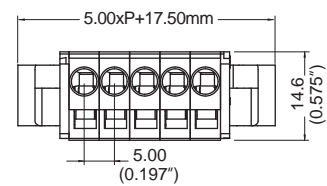
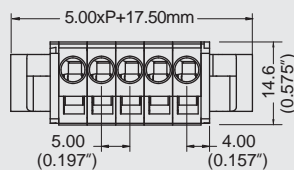


DIMENSIONS/POSITIONS

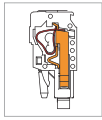
DIMENSIONS/POSITIONS		MC705-500..A	MC705-500..B
間距	Pitch	5.00mm	5.00mm
位數	Poles	2 ~ 22Poles	2 ~ 22Poles
塑膠本體	Housing Material	PA 66	PA 66
彈片	Spring	Stainless Strip Steel	Stainless Strip Steel
導電夾片	Contact	Phosphor Bronze, Tin Plated	Phosphor Bronze, Tin Plated
電線線徑	Wire Size	12 ~ 28AWG	12 ~ 28AWG
剝線長度	Wire Strip Length	8mm ~ 9mm	8mm ~ 9mm
環境作業溫度	Operating Temperature	-40°C to +105°C	-40°C to +105°C

TECHNICAL DATA

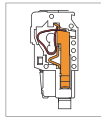
連接符合標準 Connection in acc. with standard EN-VDE			
額定電流 I _n	Nominal Current I _n	16A	16A
額定橫截面	Nominal Cross Section	2.5mm ²	2.5mm ²
最大負載電流	Maximum load current	16A	16A
絕緣材料	Insulating Material	PA	PA
阻燃等級,符合UL94 Inflammability class acc. to UL94		V0	V0
額定電壓,UL/CUL Nominal voltage, UL/CUL		300V	300V
額定電流,UL/CUL Nominal current, UL/CUL		16A	16A



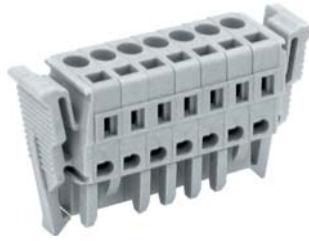
MC705 Pluggable PCB Connector, Plug



MC705-508..A



MC705-508..B



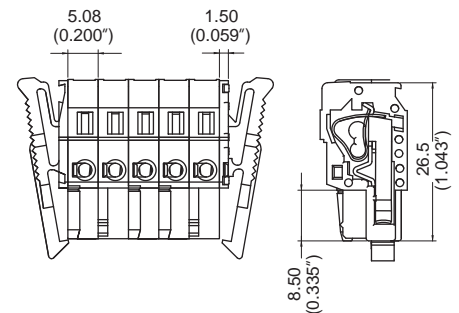
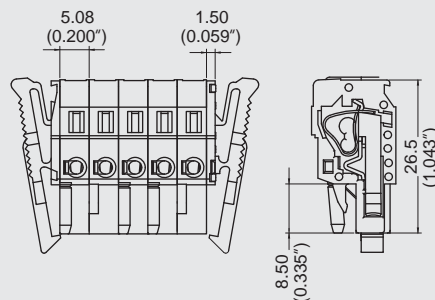
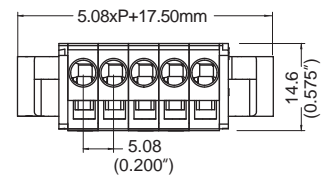
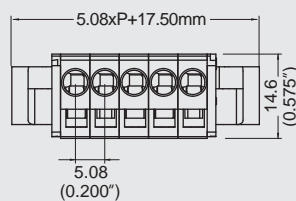
MC

DIMENSIONS/POSITIONS

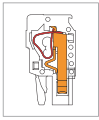
DIMENSIONS/POSITIONS		MC705-508..A	MC705-508..B
間距	Pitch	5.08mm	5.08mm
位數	Poles	2 ~ 24Poles	2 ~ 24Poles
塑膠本體	Housing Material	PA 66	PA 66
彈片	Spring	Stainless Strip Steel	Stainless Strip Steel
導電夾片	Contact	Phosphor Bronze, Tin Plated	Phosphor Bronze, Tin Plated
電線線徑	Wire Size	12 ~ 28AWG	12 ~ 28AWG
剝線長度	Wire Strip Length	8mm ~ 9mm	8mm ~ 9mm
環境作業溫度	Operating Temperature	-40°C to +105°C	-40°C to +105°C

TECHNICAL DATA

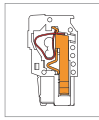
連接符合標準 Connection in acc. with standard EN-VDE			
額定電流 I _n	Nominal Current I _n	16A	16A
額定橫截面	Nominal Cross Section	2.5mm ²	2.5mm ²
最大負載電流	Maximum load current	16A	16A
絕緣材料	Insulating Material	PA	PA
阻燃等級,符合UL94 Inflammability class acc. to UL94		V0	V0
額定電壓,UL/CUL Nominal voltage, UL/CUL		300V	300V
額定電流,UL/CUL Nominal current, UL/CUL		16A	16A



MC705 Pluggable PCB Connector, Plug



MC705-750..A



MC705-750..B

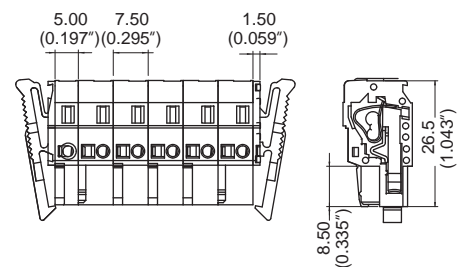
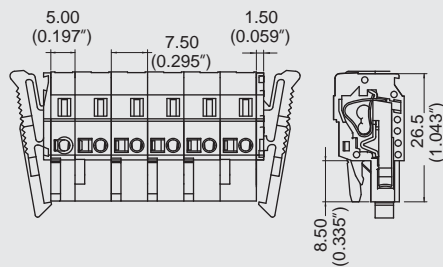
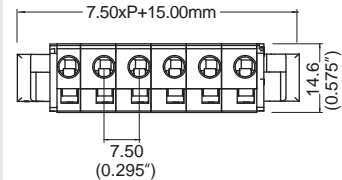
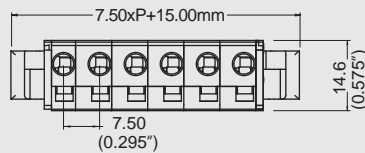


DIMENSIONS/POSITIONS

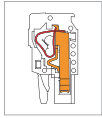
DIMENSIONS/POSITIONS		MC705-750..A	MC705-750..B
間距	Pitch	7.50mm	7.50mm
位數	Poles	2 ~ 24Poles	2 ~ 24Poles
塑膠本體	Housing Material	PA 66	PA 66
彈片	Spring	Stainless Strip Steel	Stainless Strip Steel
導電夾片	Contact	Phosphor Bronze, Tin Plated	Phosphor Bronze, Tin Plated
電線線徑	Wire Size	12 ~ 28AWG	12 ~ 28AWG
剝線長度	Wire Strip Length	8mm ~ 9mm	8mm ~ 9mm
環境作業溫度	Operating Temperature	-40°C to +105°C	-40°C to +105°C

TECHNICAL DATA

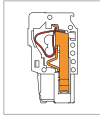
連接符合標準 Connection in acc. with standard EN-VDE			
額定電流 I _n	Nominal Current I _n	16A	16A
額定橫截面	Nominal Cross Section	2.5mm ²	2.5mm ²
最大負載電流	Maximum load current	16A	16A
絕緣材料	Insulating Material	PA	PA
阻燃等級,符合UL94 Inflammability class acc. to UL94		V0	V0
額定電壓,UL/CUL Nominal voltage, UL/CUL		300V	300V
額定電流,UL/CUL Nominal current, UL/CUL		16A	16A



MC705 Pluggable PCB Connector, Plug



MC705-762..A



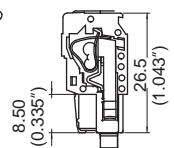
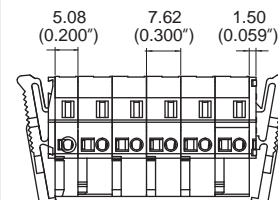
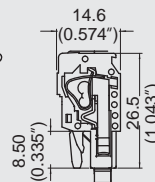
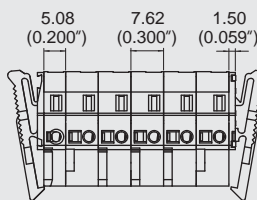
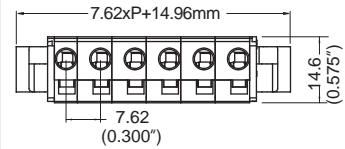
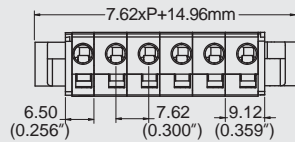
MC705-762..B



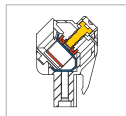
MC

DIMENSIONS/POSITIONS		MC705-762..A	MC705-762..B
間距	Pitch	7.62mm	7.62mm
位數	Poles	2 ~ 24Poles	2 ~ 24Poles
塑膠本體	Housing Material	PA 66	PA 66
彈片	Spring	Stainless Strip Steel	Stainless Strip Steel
導電夾片	Contact	Phosphor Bronze, Tin Plated	Phosphor Bronze, Tin Plated
電線線徑	Wire Size	12 ~ 28AWG	12 ~ 28AWG
剝線長度	Wire Strip Length	8mm ~ 9mm	8mm ~ 9mm
環境作業溫度	Operating Temperature	-40°C to +105°C	-40°C to +105°C

TECHNICAL DATA		MC705-762..A	MC705-762..B
連接符合標準 Connection in acc. with standard EN-VDE			
額定電流 I _n	Nominal Current I _n	16A	16A
額定橫截面	Nominal Cross Section	2.5mm ²	2.5mm ²
最大負載電流	Maximum load current	16A	16A
絕緣材料	Insulating Material	PA	PA
阻燃等級,符合UL94 Inflammability class acc. to UL94		V0	V0
額定電壓,UL/CUL Nominal voltage, UL/CUL		300V	300V
額定電流,UL/CUL Nominal current, UL/CUL		16A	16A



MC800 Pluggable PCB Connector, Plug



MC

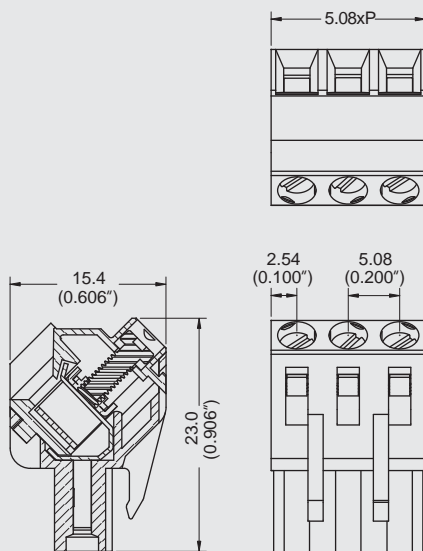
DIMENSIONS/POSITIONS

MC800-508

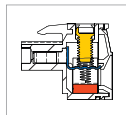
間距	Pitch	5.08mm
位數	Poles	2 ~ 24Poles
塑膠本體	Housing Material	PA 66
壓線圈	Cage Clamp	Steel, Ni Plated
導電夾片	Contact	Phosphor Bronze, Tin Plated
螺紋	Screw Thread	M2.6, Steel, Ni Plated
電線線徑	Wire Size	12 ~ 26AWG
剝線長度	Wire Strip Length	7mm
最大緊固扭矩	Tightening Torque, Max.	4.5 Lb-in
環境作業溫度	Operating Temperature	-40°C to +105°C

TECHNICAL DATA

連接符合標準 Connection in acc. with standard EN-VDE		
額定電流 I _n	Nominal Current I _n	16A
額定橫截面	Nominal Cross Section	2.5mm ²
最大負載電流	Maximum load current	16A
絕緣材料	Insulating Material	PBT
阻燃等級,符合UL94 Inflammability class acc. to UL94		V0
額定電壓,UL/CUL Nominal voltage, UL/CUL		300V
額定電流,UL/CUL Nominal current, UL/CUL		16A



MC900 Pluggable PCB Connector, Plug



MC

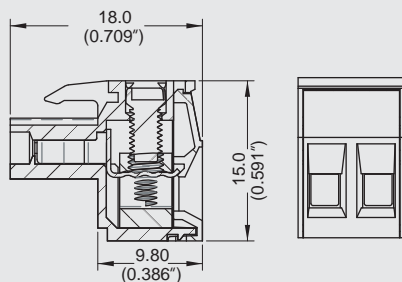
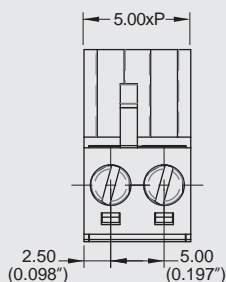
DIMENSIONS/POSITIONS

MC900-500

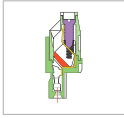
間距	Pitch	5.00mm
位數	Poles	2 ~ 24Poles
塑膠本體	Housing Material	PA 66
壓線圈	Cage Clamp	Brass, Tin Plated
導電夾片	Contact	Phosphor Bronze, Tin Plated
螺紋	Screw Thread	M3.0, Steel, Ni Plated
電線線徑	Wire Size	12 ~ 24AWG
剝線長度	Wire Strip Length	7mm
最大緊固扭矩	Tightening Torque, Max.	7.0 Lb-in
環境作業溫度	Operating Temperature	-40°C to +105°C

TECHNICAL DATA

連接符合標準 Connection in acc. with standard EN-VDE		
額定電流 I _n	Nominal Current I _n	16A
額定橫截面	Nominal Cross Section	2.5mm ²
最大負載電流	Maximum load current	16A
絕緣材料	Insulating Material	PA
阻燃等級,符合UL94 Inflammability class acc. to UL94		V0
額定電壓,UL/CUL Nominal voltage, UL/CUL		300V
額定電流,UL/CUL Nominal current, UL/CUL		16A



MCLM010 Pluggable PCB Connector, Plug



MC

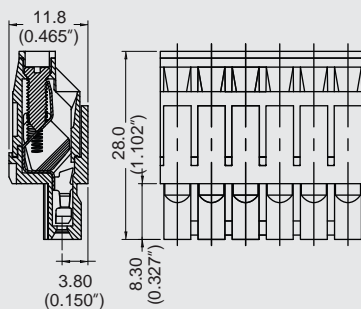
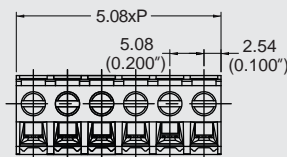
DIMENSIONS/POSITIONS

MCLM010-508

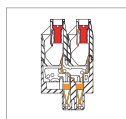
間距	Pitch	5.08mm
位數	Poles	2 ~ 16Poles
塑膠本體	Housing Material	PA 66
壓線圈	Cage Clamp	Brass, Ni Plated
導電夾片	Contact	Phosphor Bronze, Tin Plated
電線線徑	Wire Size	14 ~ 22AWG
剝線長度	Wire Strip Length	7mm ~ 8mm
最大緊固扭矩	Tightening Torque, Max.	5.22 Lb-in
環境作業溫度	Operating Temperature	-40°C to +105°C

TECHNICAL DATA

連接符合標準 Connection in acc. with standard EN-VDE		
額定電流 I _n	Nominal Current I _n	10A
額定橫截面	Nominal Cross Section	1.5mm ²
最大負載電流	Maximum load current	10A
絕緣材料	Insulating Material	PA
阻燃等級,符合UL94 Inflammability class acc. to UL94		V0
額定電壓,UL/CUL Nominal voltage, UL/CUL		300V
額定電流,UL/CUL Nominal current, UL/CUL		10A



MCLM020 Pluggable PCB Connector, Plug



MC

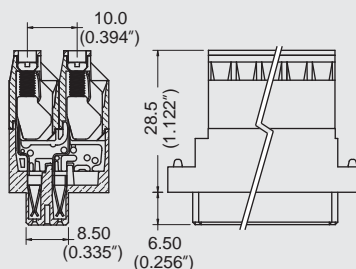
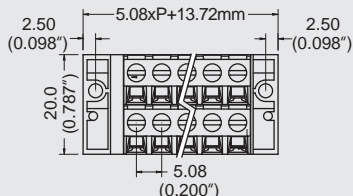
DIMENSIONS/POSITIONS

MCLM020-508

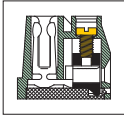
間距	Pitch	5.08mm
位數	Poles	32Poles
塑膠本體	Housing Material	PA 66
壓線圈	Cage Clamp	Brass, Ni Plated
導電夾片	Contact	Phosphor Bronze, Tin Plated
螺紋	Screw Thread	M3.0, Steel, Zinc Plated
電線線徑	Wire Size	14 ~ 22AWG
剝線長度	Wire Strip Length	7mm ~ 8mm
最大緊固扭矩	Tightening Torque, Max.	5.22 Lb-in
環境作業溫度	Operating Temperature	-40°C to +105°C

TECHNICAL DATA

連接符合標準 Connection in acc. with standard EN-VDE		
額定電流 I _n Nominal Current I _n		5A
額定橫截面 Nominal Cross Section		1.5mm ²
最大負載電流 Maximum load current		5A
絕緣材料 Insulating Material		PA
阻燃等級,符合UL94 Inflammability class acc. to UL94		V0
額定電壓,UL/CUL Nominal voltage, UL/CUL		300V
額定電流,UL/CUL Nominal current, UL/CUL		5A



OMC021 Pluggable PCB Connector, Plug



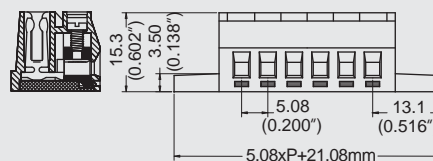
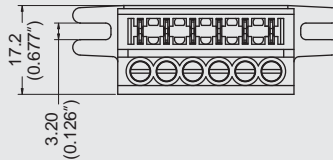
DIMENSIONS/POSITIONS

OMC021-508

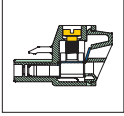
間距	Pitch	5.08mm
位數	Poles	6 / 12 / 24Poles
塑膠本體	Housing Material	PA 66
壓線圈	Cage Clamp	Brass, Ni Plated
導電夾片	Contact	Phosphor Bronze, Tin Plated
螺紋	Screw Thread	M2.6, Steel, Zinc Plated
電線線徑	Wire Size	14 ~ 24AWG
剝線長度	Wire Strip Length	5mm ~ 6mm
最大緊固扭矩	Tightening Torque, Max.	4.5 Lb-in
環境作業溫度	Operating Temperature	-40°C to +105°C

TECHNICAL DATA

連接符合標準 Connection in acc. with standard EN-VDE		
額定電流 I _n	Nominal Current I _n	10A
額定橫截面	Nominal Cross Section	2.5mm ²
最大負載電流	Maximum load current	10A
絕緣材料	Insulating Material	PA
阻燃等級,符合UL94 Inflammability class acc. to UL94		V0
額定電壓,UL/CUL Nominal voltage, UL/CUL		250V
額定電流,UL/CUL Nominal current, UL/CUL		10A



OMC101 Pluggable PCB Connector, Plug with Flanges



MC

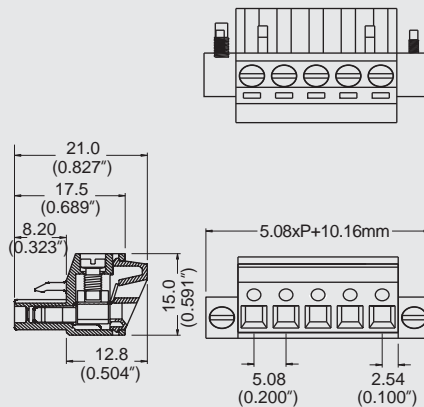
DIMENSIONS/POSITIONS

OMC101-508

間距	Pitch	5.08mm
位數	Poles	2 ~ 22Poles
塑膠本體	Housing Material	PA 66
壓線圈	Cage Clamp	Brass, Ni Plated
導電夾片	Contact	Phosphor Bronze, Tin Plated
螺紋	Screw Thread	M3.0, Steel, Zinc Plated
電線線徑	Wire Size	12 ~ 24AWG
剝線長度	Wire Strip Length	7mm
最大緊固扭矩	Tightening Torque, Max.	7.0 Lb-in
環境作業溫度	Operating Temperature	-40°C to +105°C

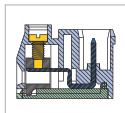
TECHNICAL DATA

連接符合標準 Connection in acc. with standard EN-VDE		
額定電流 I _n	Nominal Current I _n	16A
額定橫截面	Nominal Cross Section	2.5mm ²
最大負載電流	Maximum load current	16A
絕緣材料	Insulating Material	PA
阻燃等級,符合UL94 Inflammability class acc. to UL94		V0
額定電壓,UL/CUL Nominal voltage, UL/CUL		300V
額定電流,UL/CUL Nominal current, UL/CUL		16A



Note:
Screw Plating: Changes are available upon request
Cage Clamp: OMC 100#: Steel

OMC120 Pluggable PCB Connector, Plug



MC

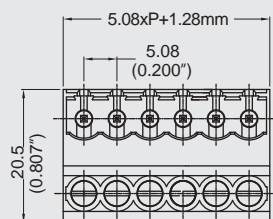
DIMENSIONS/POSITIONS

OMC120-508

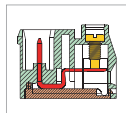
間距	Pitch	5.08mm
位數	Poles	2 ~ 20Poles
塑膠本體	Housing Material	PA 66
壓線圈	Cage Clamp	Brass, Ni Plated
導電夾片	Contact	Phosphor Bronze, Tin Plated
螺紋	Screw Thread	M2.6, Steel, Zinc Plated
電線線徑	Wire Size	12 ~ 24AWG
剝線長度	Wire Strip Length	8mm ~ 9mm
最大緊固扭矩	Tightening Torque, Max.	4.5 Lb-in
環境作業溫度	Operating Temperature	-40°C to +105°C

TECHNICAL DATA

連接符合標準 Connection in acc. with standard EN-VDE		
額定電流 I _n	Nominal Current I _n	10A
額定橫截面	Nominal Cross Section	2.5mm ²
最大負載電流	Maximum load current	10A
絕緣材料	Insulating Material	PA
阻燃等級,符合UL94 Inflammability class acc. to UL94		V0
額定電壓,UL/CUL Nominal voltage, UL/CUL		300V
額定電流,UL/CUL Nominal current, UL/CUL		10A



OMC121 Pluggable PCB Connector, Plug with Flanges



MC

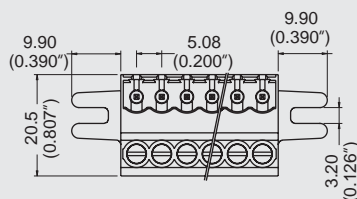
DIMENSIONS/POSITIONS

OMC121-508

間距	Pitch	5.08mm
位數	Poles	2 ~ 20Poles
塑膠本體	Housing Material	PA 66
壓線圈	Cage Clamp	Brass, Ni Plated
端子	Contact	Brass, Tin Plated
螺紋	Screw Thread	M2.6, Steel, Zinc Plated
電線線徑	Wire Size	12 ~ 24AWG
剝線長度	Wire Strip Length	8mm ~ 9mm
最大緊固扭矩	Tightening Torque, Max.	4.5 Lb-in
環境作業溫度	Operating Temperature	-40°C to +105°C

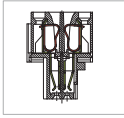
TECHNICAL DATA

連接符合標準 Connection in acc. with standard EN-VDE		
額定電流 I _n	Nominal Current I _n	10A
額定橫截面	Nominal Cross Section	2.5mm ²
最大負載電流	Maximum load current	10A
絕緣材料	Insulating Material	PA
阻燃等級,符合UL94 Inflammability class acc. to UL94		V0
額定電壓,UL/CUL Nominal voltage, UL/CUL		300V
額定電流,UL/CUL Nominal current, UL/CUL		10A



Note:
Screw Plating: Changes are available upon request
Cage Clamp: OMC 100#: Steel

OMC600 Pluggable PCB Connector, Plug



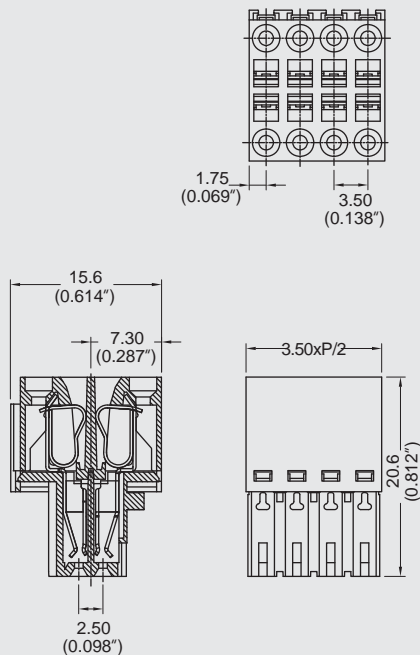
DIMENSIONS/POSITIONS

OMC600-350

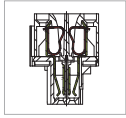
間距	Pitch	3.50mm
位數	Poles	4 ~ 40Poles
塑膠本體	Housing Material	PA 66
彈片	Spring	Stainless Strip Steel
導電夾片	Contact	Phosphor Bronze, Tin Plated
電線線徑	Wire Size	18 ~ 22AWG
剝線長度	Wire Strip Length	7mm
環境作業溫度	Operating Temperature	-40°C to +105°C

TECHNICAL DATA

連接符合標準 Connection in acc. with standard EN-VDE		
額定電流 I_n	Nominal Current I_n	5A
額定橫截面	Nominal Cross Section	0.75mm ²
最大負載電流	Maximum load current	5A
絕緣材料	Insulating Material	PA
阻燃等級,符合UL94 Inflammability class acc. to UL94		V0
額定電壓,UL/CUL Nominal voltage, UL/CUL		150V
額定電流,UL/CUL Nominal current, UL/CUL		5A



OMC601 Pluggable PCB Connector, Plug with Flanges



MC

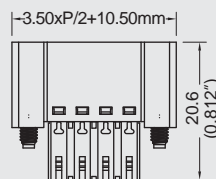
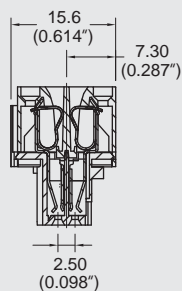
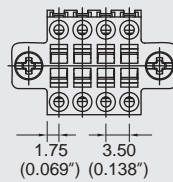
DIMENSIONS/POSITIONS

OMC601-350

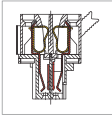
間距	Pitch	3.50mm
位數	Poles	4 ~ 24Poles
塑膠本體	Housing Material	PA 66
彈片	Spring	Stainless Strip Steel
導電夾片	Contact	Phosphor Bronze, Tin Plated
電線線徑	Wire Size	18 ~ 22AWG
剝線長度	Wire Strip Length	7mm
環境作業溫度	Operating Temperature	-40°C to +105°C

TECHNICAL DATA

連接符合標準 Connection in acc. with standard EN-VDE		
額定電流 I _n Nominal Current I _n	5A	
額定橫截面 Nominal Cross Section	0.75mm ²	
最大負載電流 Maximum load current	5A	
絕緣材料 Insulating Material	PA	
阻燃等級,符合UL94 Inflammability class acc. to UL94	V0	
額定電壓,UL/CUL Nominal voltage, UL/CUL	150V	
額定電流,UL/CUL Nominal current, UL/CUL	5A	



OMC602 Pluggable PCB Connector, Plug



MC

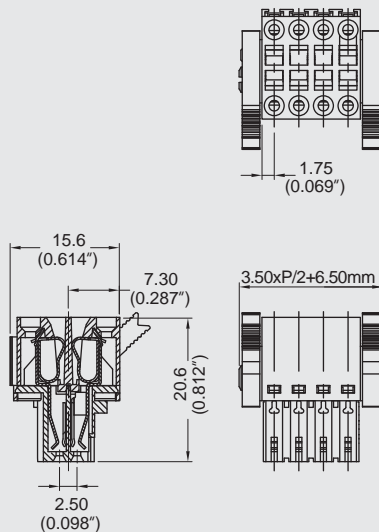
DIMENSIONS/POSITIONS

OMC602-350

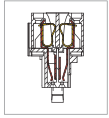
間距	Pitch	3.50mm
位數	Poles	4 ~ 40Poles
塑膠本體	Housing Material	PA 66
彈片	Spring	Stainless Strip Steel
導電夾片	Contact	Phosphor Bronze, Tin Plated
電線線徑	Wire Size	18 ~ 22AWG
剝線長度	Wire Strip Length	7mm
環境作業溫度	Operating Temperature	-40°C to +105°C

TECHNICAL DATA

連接符合標準 Connection in acc. with standard EN-VDE		
額定電流 I _n	Nominal Current I _n	5A
額定橫截面	Nominal Cross Section	0.75mm ²
最大負載電流	Maximum load current	5A
絕緣材料	Insulating Material	PA
阻燃等級,符合UL94 Inflammability class acc. to UL94		V0
額定電壓,UL/CUL Nominal voltage, UL/CUL		150V
額定電流,UL/CUL Nominal current, UL/CUL		5A



OMC605 Pluggable PCB Connector, Plug



MC

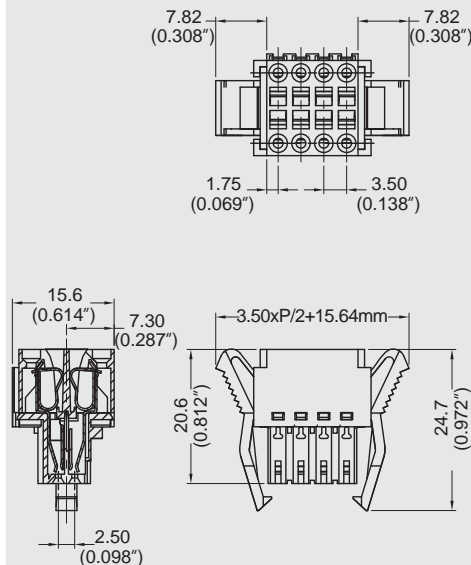
DIMENSIONS/POSITIONS

OMC605-350

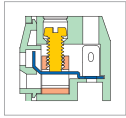
間距	Pitch	3.50mm
位數	Poles	4 ~ 40Poles
塑膠本體	Housing Material	PA 66
彈片	Spring	Stainless Strip Steel
導電夾片	Contact	Phosphor Bronze, Tin Plated
電線線徑	Wire Size	18 ~ 22AWG
剝線長度	Wire Strip Length	7mm
環境作業溫度	Operating Temperature	-40°C to +105°C

TECHNICAL DATA

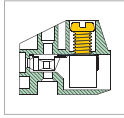
連接符合標準 Connection in acc. with standard EN-VDE		
額定電流 I _N Nominal Current I _N	5A	
額定橫截面 Nominal Cross Section	0.75mm ²	
最大負載電流 Maximum load current	5A	
絕緣材料 Insulating Material	PA	
阻燃等級,符合UL94 Inflammability class acc. to UL94	V0	
額定電壓,UL/CUL Nominal voltage, UL/CUL	150V	
額定電流,UL/CUL Nominal current, UL/CUL	5A	



MD012 Connector, Plug



MD012-350



MD012-500M

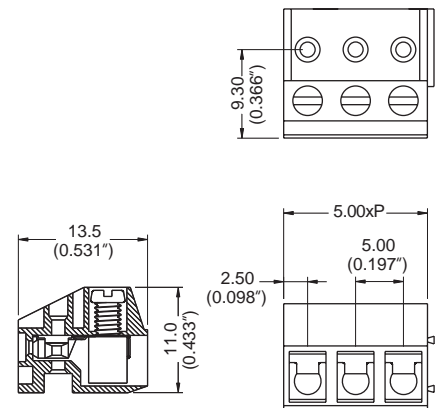
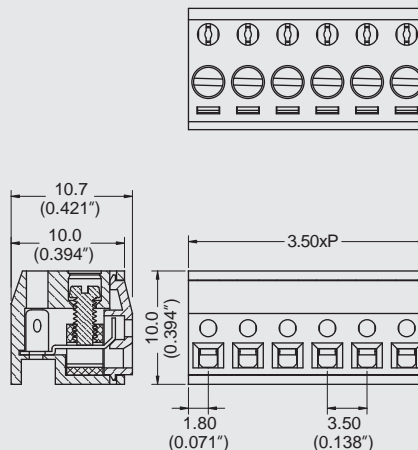


DIMENSIONS/POSITIONS

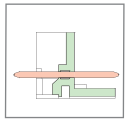
DIMENSIONS/POSITIONS		MD012-350	MD012-500M
間距	Pitch	3.50mm	5.00mm
位數	Poles	2 ~ 24Poles	2 ~ 3Poles
塑膠本體	Housing Material	PA 66	PA 66
壓線圈	Cage Clamp	Brass, Tin Plated	Brass, Tin Plated
夾片	Contact	Phosphor Bronze, Tin Plated	Phosphor Bronze, Tin Plated
螺紋	Screw Thread	M2.0, Steel, Zinc Plated	M2.6, Steel, Zinc Plated
電線線徑	Wire Size	16 ~ 24AWG	14 ~ 22AWG
剝線長度	Wire Strip Length	4mm ~ 5mm	5mm ~ 6mm
最大緊固扭矩	Tightening Torque, Max.	3.0 Lb-in	3.0 Lb-in
環境作業溫度	Operating Temperature	-40°C to +105°C	-40°C to +105°C

TECHNICAL DATA

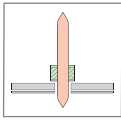
連接符合標準 Connection in acc. with standard EN-VDE			
額定電流 I _n	Nominal Current I _n	8A	10A
額定橫截面	Nominal Cross Section	1.5mm ²	1.5mm ²
最大負載電流	Maximum load current	8A	10A
絕緣材料	Insulating Material	PA	PA
阻燃等級,符合UL94 Inflammability class acc. to UL94		V0	V0
額定電壓,UL/CUL Nominal voltage, UL/CUL		125V	300V
額定電流,UL/CUL Nominal current, UL/CUL		8A	15A



MD022 Connector, Header



MD022-350



MD022-500



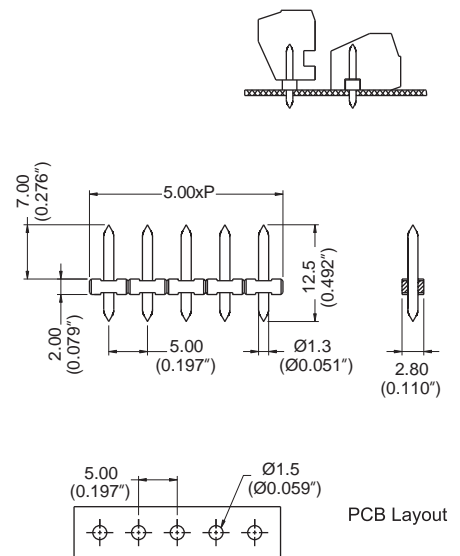
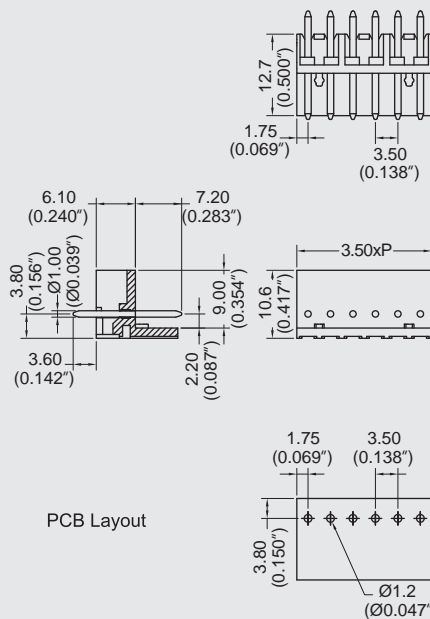
MD

DIMENSIONS/POSITIONS

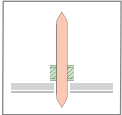
DIMENSIONS/POSITIONS		MD022-350	MD022-500
間距	Pitch	3.50mm	5.00mm
位數	Poles	2 ~ 24Poles	24Poles
塑膠本體	Housing Material	PA 66	PA 66
焊針	Pin Dimensions	Brass, Tin Plated	Brass, Tin Plated
PCB孔徑	PCB Hole Diameter	1.2mm	1.5mm
環境作業溫度	Operating Temperature	-40°C to +105°C	-40°C to +105°C

TECHNICAL DATA

連接符合標準 Connection in acc. with standard EN-VDE			
額定電流 I _n	Nominal Current I _n	8A	10A
額定橫截面	Nominal Cross Section	-	-
最大負載電流	Maximum load current	8A	10A
絕緣材料	Insulating Material	PA	PA
阻燃等級,符合UL94 Inflammability class acc. to UL94		V0	V0
額定電壓,UL/CUL Nominal voltage, UL/CUL		300V	300V
額定電流,UL/CUL Nominal current, UL/CUL		8A	15A



MD023 Connector, Header



MD

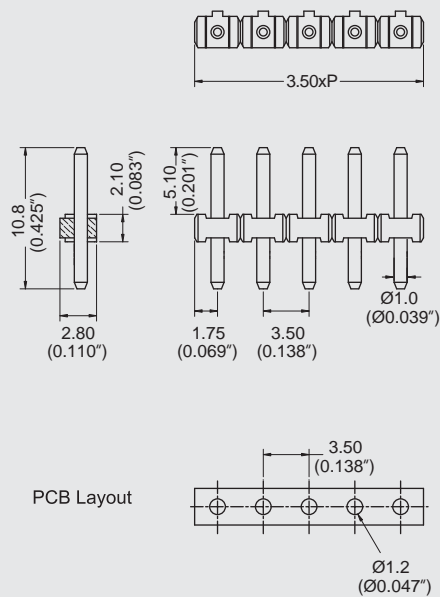
DIMENSIONS/POSITIONS

MD023-350

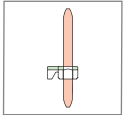
間距	Pitch	3.50mm
位數	Poles	24Poles
塑膠本體	Housing Material	PA 66
焊針	Pin Dimensions	Brass, Tin Plated
PCB孔徑	PCB Hole Diameter	1.2mm
環境作業溫度	Operating Temperature	-40°C to +105°C

TECHNICAL DATA

連接符合標準 Connection in acc. with standard EN-VDE		
額定電流 I _n Nominal Current I _n		10A
額定橫截面 Nominal Cross Section		-
最大負載電流 Maximum load current		10A
絕緣材料 Insulating Material		PA
阻燃等級,符合UL94 Inflammability class acc. to UL94		V0
額定電壓,UL/CUL Nominal voltage, UL/CUL		300V
額定電流,UL/CUL Nominal current, UL/CUL		10A



MD024 Connector, Header



MD

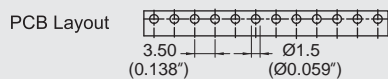
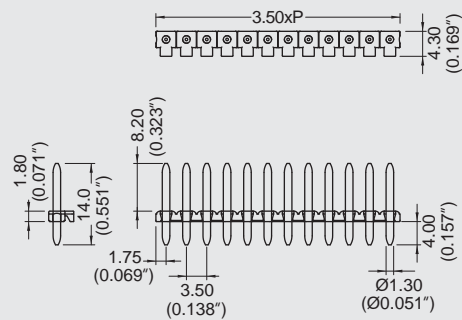
DIMENSIONS/POSITIONS

MD024-350

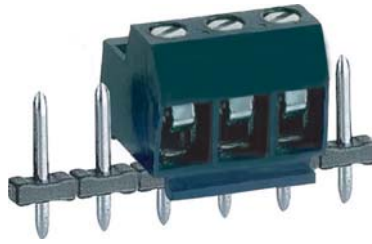
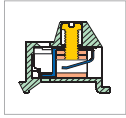
間距	Pitch	3.50mm
位數	Poles	2 ~ 24Poles
塑膠本體	Housing Material	PA 66
焊針	Pin Dimensions	Brass, Tin Plated
PCB孔徑	PCB Hole Diameter	1.5mm
環境作業溫度	Operating Temperature	-40°C to +105°C

TECHNICAL DATA

連接符合標準 Connection in acc. with standard EN-VDE		
額定電流 I _n	Nominal Current I _n	10A
額定橫截面	Nominal Cross Section	-
最大負載電流	Maximum load current	10A
絕緣材料	Insulating Material	PA
阻燃等級,符合UL94 Inflammability class acc. to UL94		V0
額定電壓,UL/CUL Nominal voltage, UL/CUL		300V
額定電流,UL/CUL Nominal current, UL/CUL		10A



MD110 Connector, Plug



MD

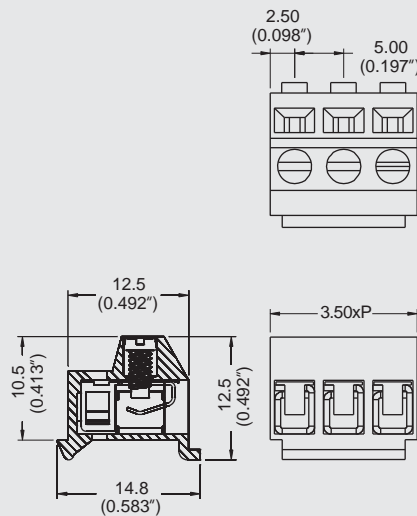
DIMENSIONS/POSITIONS

MD110-500

間距	Pitch	5.00mm
位數	Poles	2 ~ 24Poles
塑膠本體	Housing Material	PA 66
壓線圈	Cage Clamp	Brass, Tin Plated
夾片	Contact	Phosphor Bronze, Tin Plated
螺紋	Screw Thread	M2.6, Steel, Zinc Plated
電線線徑	Wire Size	16 ~ 24AWG
剝線長度	Wire Strip Length	6mm
最大緊固扭矩	Tightening Torque, Max.	3.0 Lb-in
環境作業溫度	Operating Temperature	-40°C to +105°C

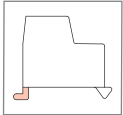
TECHNICAL DATA

連接符合標準 Connection in acc. with standard EN-VDE		
額定電流 I _n	Nominal Current I _n	15A
額定橫截面	Nominal Cross Section	1.5mm ²
最大負載電流	Maximum load current	15A
絕緣材料	Insulating Material	PA
阻燃等級,符合UL94 Inflammability class acc. to UL94		V0
額定電壓,UL/CUL Nominal voltage, UL/CUL		300V
額定電流,UL/CUL Nominal current, UL/CUL		15A



Note:
Screw Plating: Changes are available upon request

MD120 Connector, Plug



MD

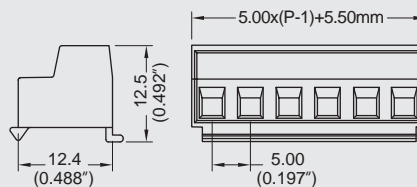
DIMENSIONS/POSITIONS

MD120-500

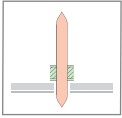
間距	Pitch	5.00mm
位數	Poles	2 ~ 20Poles
塑膠本體	Housing Material	PA 66
壓線圈	Cage Clamp	Brass, Tin Plated
夾片	Contact	Phosphor Bronze, Tin Plated
螺紋	Screw Thread	M2.6, Steel, Zinc Plated
電線線徑	Wire Size	14 ~ 22AWG
最大緊固扭矩	Tightening Torque, Max.	2.75 Lb-in
環境作業溫度	Operating Temperature	-40°C to +105°C

TECHNICAL DATA

連接符合標準 Connection in acc. with standard EN-VDE		
額定電流 I _n	Nominal Current I _n	12A
額定橫截面	Nominal Cross Section	1.5mm ²
最大負載電流	Maximum load current	12A
絕緣材料	Insulating Material	PA
阻燃等級,符合UL94 Inflammability class acc. to UL94		V0
額定電壓,UL/CUL Nominal voltage, UL/CUL		300V
額定電流,UL/CUL Nominal current, UL/CUL		12A



MD122 Connector, Header



MD

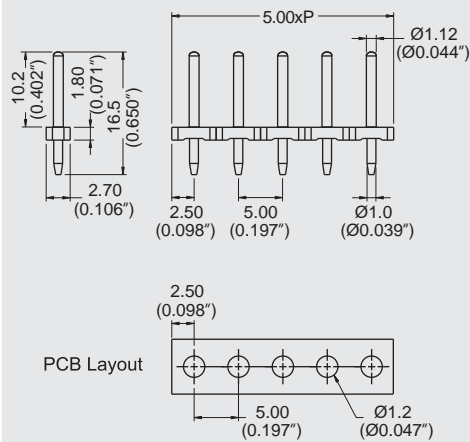
DIMENSIONS/POSITIONS

MD122-500

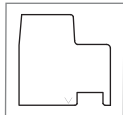
間距	Pitch	5.00mm
位數	Poles	24Poles
塑膠本體	Housing Material	PA 66
焊針	Pin Dimensions	Brass, Tin Plated
PCB孔徑	PCB Hole Diameter	1.2mm
環境作業溫度	Operating Temperature	-40°C to +105°C

TECHNICAL DATA

連接符合標準 Connection in acc. with standard EN-VDE		
額定電流 I _n	Nominal Current I _n	15A
額定橫截面	Nominal Cross Section	-
最大負載電流	Maximum load current	15A
絕緣材料	Insulating Material	PA
阻燃等級,符合UL94 Inflammability class acc. to UL94		V0
額定電壓,UL/CUL Nominal voltage, UL/CUL		300V
額定電流,UL/CUL Nominal current, UL/CUL		15A



MD130 Connector, Plug



MD

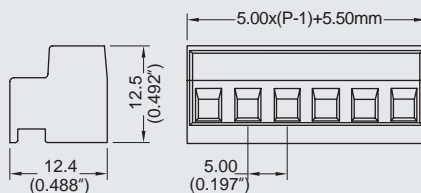
DIMENSIONS/POSITIONS

MD130-500

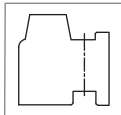
間距	Pitch	5.00mm
位數	Poles	2 ~ 20Poles
塑膠本體	Housing Material	PA 66
壓線圈	Cage Clamp	Brass, Tin Plated
夾片	Contact	Phosphor Bronze, Tin Plated
螺紋	Screw Thread	M2.6, Steel, Zinc Plated
電線線徑	Wire Size	14 ~ 22AWG
最大緊固扭矩	Tightening Torque, Max.	2.75 Lb-in
環境作業溫度	Operating Temperature	-40°C to +105°C

TECHNICAL DATA

連接符合標準 Connection in acc. with standard EN-VDE		
額定電流 I _n	Nominal Current I _n	12A
額定橫截面	Nominal Cross Section	1.5mm ²
最大負載電流	Maximum load current	12A
絕緣材料	Insulating Material	PA
阻燃等級,符合UL94 Inflammability class acc. to UL94		V0
額定電壓,UL/CUL Nominal voltage, UL/CUL		300V
額定電流,UL/CUL Nominal current, UL/CUL		12A



MD140 Connector, Plug



MD

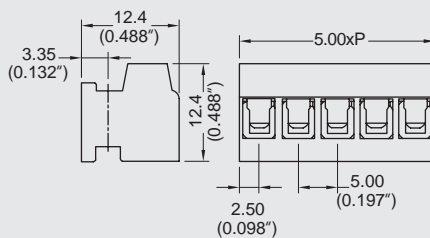
DIMENSIONS/POSITIONS

MD140-500

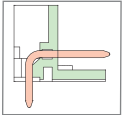
間距	Pitch	5.00mm
位數	Poles	2 ~ 20Poles
塑膠本體	Housing Material	PA 66
壓線圈	Cage Clamp	Brass, Tin Plated
夾片	Contact	Phosphor Bronze, Tin Plated
螺紋	Screw Thread	M2.6, Steel, Zinc Plated
電線線徑	Wire Size	14 ~ 22AWG
最大緊固扭矩	Tightening Torque, Max.	2.75 Lb-in
環境作業溫度	Operating Temperature	-40° C to +105° C

TECHNICAL DATA

連接符合標準 Connection in acc. with standard EN-VDE		
額定電流 I _n	Nominal Current I _n	12A
額定橫截面	Nominal Cross Section	1.5mm ²
最大負載電流	Maximum load current	12A
絕緣材料	Insulating Material	PA
阻燃等級,符合UL94 Inflammability class acc. to UL94		V0
額定電壓,UL/CUL Nominal voltage, UL/CUL		300V
額定電流,UL/CUL Nominal current, UL/CUL		12A



MD222 Connector, Plug



MD

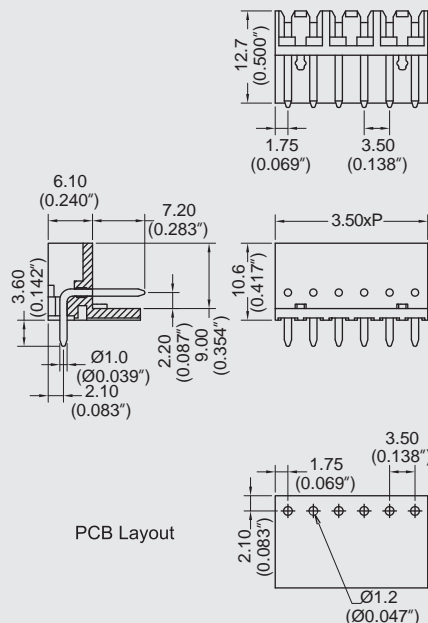
DIMENSIONS/POSITIONS

MD222-350

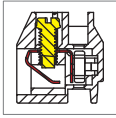
間距	Pitch	3.50mm
位數	Poles	2 ~ 24Poles
塑膠本體	Housing Material	PA 66
焊針	Pin Dimensions	Brass, Tin Plated
PCB孔徑	PCB Hole Diameter	1.2mm
環境作業溫度	Operating Temperature	-40°C to +105°C

TECHNICAL DATA

連接符合標準 Connection in acc. with standard EN-VDE		
額定電流 I _n	Nominal Current I _n	8A
額定橫截面	Nominal Cross Section	0.75mm ²
最大負載電流	Maximum load current	8A
絕緣材料	Insulating Material	PA
阻燃等級,符合UL94 Inflammability class acc. to UL94		V0
額定電壓,UL/CUL Nominal voltage, UL/CUL		300V
額定電流,UL/CUL Nominal current, UL/CUL		8A



MD512 Connector, Plug



MD

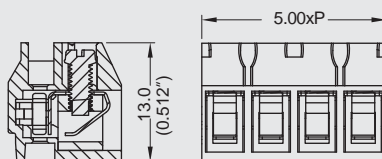
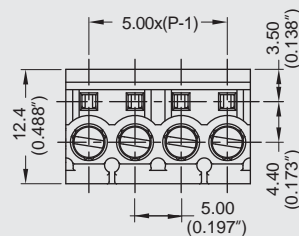
DIMENSIONS/POSITIONS

MD512-500

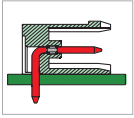
間距	Pitch	5.00mm
位數	Poles	2 ~ 8Poles
塑膠本體	Housing Material	PA 66
壓線圈	Cage Clamp	Brass, Tin Plated
夾片	Contact	Phosphor Bronze, Tin Plated
螺紋	Screw Thread	Steel, Zinc Plated
電線線徑	Wire Size	12 ~ 22AWG
剝線長度	Wire Strip Length	6mm ~ 7mm
最大緊固扭矩	Tightening Torque, Max.	3.5 Lb-in
環境作業溫度	Operating Temperature	-40°C to +105°C

TECHNICAL DATA

連接符合標準 Connection in acc. with standard EN-VDE		
額定電流 I _n Nominal Current I _n		12A
額定橫截面 Nominal Cross Section		2.5mm ²
最大負載電流 Maximum load current		12A
絕緣材料 Insulating Material		PA
阻燃等級,符合UL94 Inflammability class acc. to UL94		V0
額定電壓,UL/CUL Nominal voltage, UL/CUL		300V
額定電流,UL/CUL Nominal current, UL/CUL		12A



ME010 PCB Connector, Header

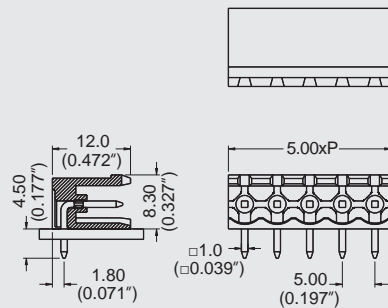


ME

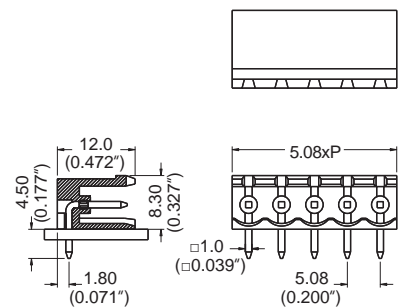
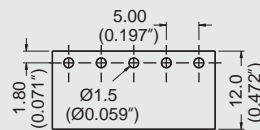
DIMENSIONS/POSITIONS		ME010-500	ME010-508
間距	Pitch	5.00mm	5.08mm
位數	Poles	2 ~ 24Poles	2 ~ 24Poles
塑膠本體	Housing Material	PA 66	PA 66
焊針	Pin Dimensions	Brass, Tin Plated	Brass, Tin Plated
PCB孔徑	PCB Hole Diameter	1.5mm	1.5mm
環境作業溫度	Operating Temperature	-40°C to +105°C	-40°C to +105°C

TECHNICAL DATA

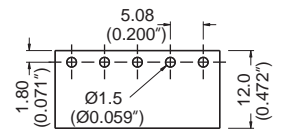
連接符合標準 Connection in acc. with standard EN-VDE			
額定電流 I _n	Nominal Current I _n	16A	16A
額定橫截面	Nominal Cross Section	-	-
最大負載電流	Maximum load current	16A	16A
絕緣材料	Insulating Material	PA	PA
阻燃等級,符合UL94 Inflammability class acc. to UL94		V0	V0
額定電壓,UL/CUL Nominal voltage, UL/CUL		300V	300V
額定電流,UL/CUL Nominal current, UL/CUL		16A	16A



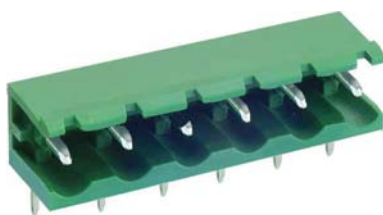
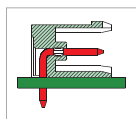
PCB Layout



PCB Layout



ME010 PCB Connector, Header



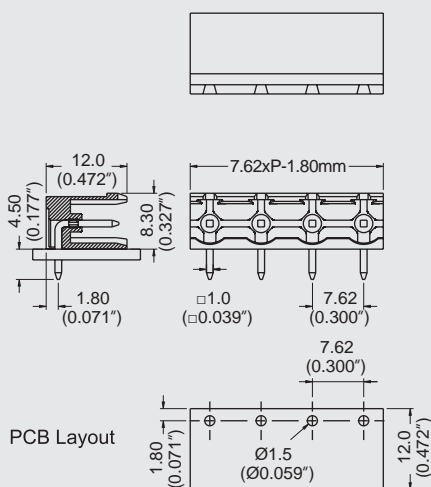
DIMENSIONS/POSITIONS

ME010-762

間距	Pitch	7.62mm
位數	Poles	2 ~ 16Poles
塑膠本體	Housing Material	PA 66
焊針	Pin Dimensions	Brass, Tin Plated
PCB孔徑	PCB Hole Diameter	1.5mm
環境作業溫度	Operating Temperature	-40°C to +105°C

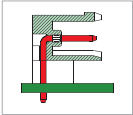
TECHNICAL DATA

連接符合標準 Connection in acc. with standard EN-VDE		
額定電流 I_n	Nominal Current I_n	16A
額定橫截面	Nominal Cross Section	-
最大負載電流	Maximum load current	16A
絕緣材料	Insulating Material	PA
阻燃等級,符合UL94 Inflammability class acc. to UL94		V0
額定電壓,UL/CUL Nominal voltage, UL/CUL		300V
額定電流,UL/CUL Nominal current, UL/CUL		15A



ME

ME010A PCB Connector, Header



ME

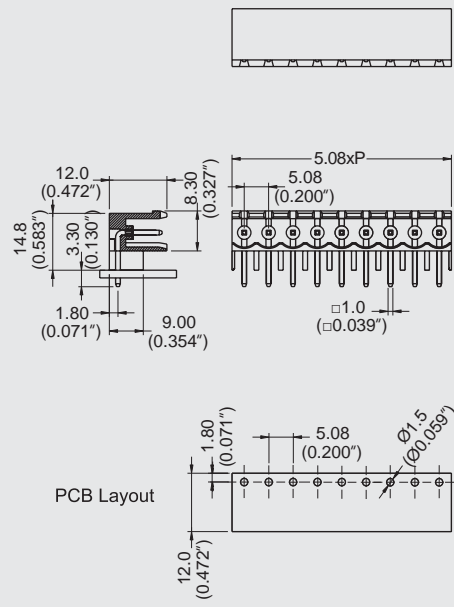
DIMENSIONS/POSITIONS

ME010A-508

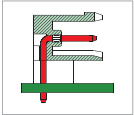
間距	Pitch	5.08mm
位數	Poles	2 ~ 24Poles
塑膠本體	Housing Material	PA 66
焊針	Pin Dimensions	Brass, Tin Plated
PCB孔徑	PCB Hole Diameter	1.5mm
環境作業溫度	Operating Temperature	-40°C to +105°C

TECHNICAL DATA

連接符合標準 Connection in acc. with standard EN-VDE		
額定電流 I _n	Nominal Current I _n	16A
額定橫截面	Nominal Cross Section	-
最大負載電流	Maximum load current	16A
絕緣材料	Insulating Material	PA
阻燃等級,符合UL94 Inflammability class acc. to UL94		V0
額定電壓,UL/CUL Nominal voltage, UL/CUL		300V
額定電流,UL/CUL Nominal current, UL/CUL		16A



ME010B PCB Connector, Header



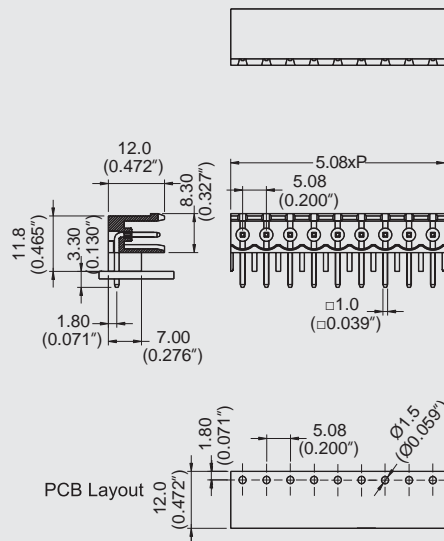
DIMENSIONS/POSITIONS

ME010B-508

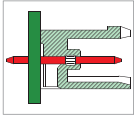
間距	Pitch	5.08mm
位數	Poles	2 ~ 24Poles
塑膠本體	Housing Material	PA 66
焊針	Pin Dimensions	Brass, Tin Plated
PCB孔徑	PCB Hole Diameter	1.5mm
環境作業溫度	Operating Temperature	-40°C to +105°C

TECHNICAL DATA

連接符合標準 Connection in acc. with standard EN-VDE		
額定電流 I _n	Nominal Current I _n	16A
額定橫截面	Nominal Cross Section	-
最大負載電流	Maximum load current	16A
絕緣材料	Insulating Material	PA
阻燃等級,符合UL94 Inflammability class acc. to UL94		V0
額定電壓,UL/CUL Nominal voltage, UL/CUL		300V
額定電流,UL/CUL Nominal current, UL/CUL		16A



ME020 PCB Connector, Header

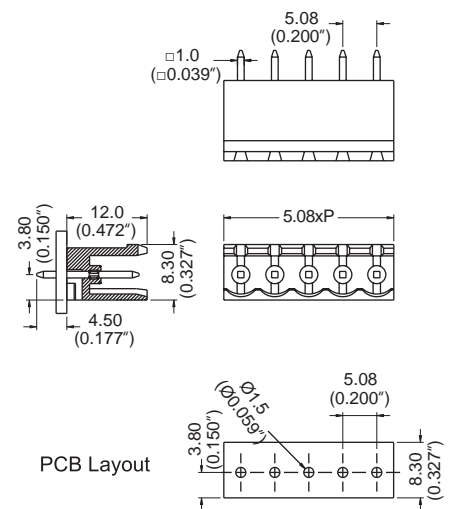
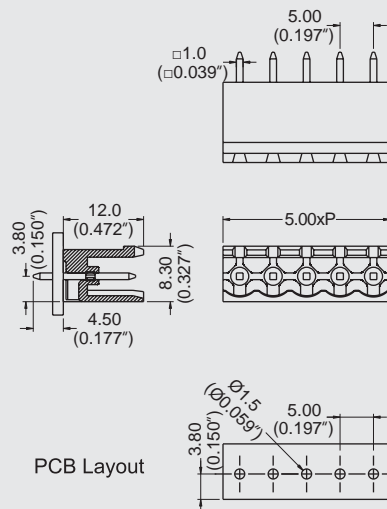


ME

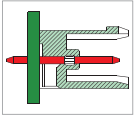
DIMENSIONS/POSITIONS		ME020-500	ME020-508
間距	Pitch	5.00mm	5.08mm
位數	Poles	2 ~ 24Poles	2 ~ 24Poles
塑膠本體	Housing Material	PA 66	PA 66
焊針	Pin Dimensions	Brass, Tin Plated	Brass, Tin Plated
PCB孔徑	PCB Hole Diameter	1.5mm	1.5mm
環境作業溫度	Operating Temperature	-40°C to +105°C	-40°C to +105°C

TECHNICAL DATA

連接符合標準 Connection in acc. with standard EN-VDE			
額定電流 I _N	Nominal Current I _N	16A	16A
額定橫截面	Nominal Cross Section	-	-
最大負載電流	Maximum load current	16A	16A
絕緣材料	Insulating Material	PA	PA
阻燃等級,符合UL94 Inflammability class acc. to UL94		V0	V0
額定電壓,UL/CUL Nominal voltage, UL/CUL		300V	300V
額定電流,UL/CUL Nominal current, UL/CUL		16A	16A



ME020 PCB Connector, Header



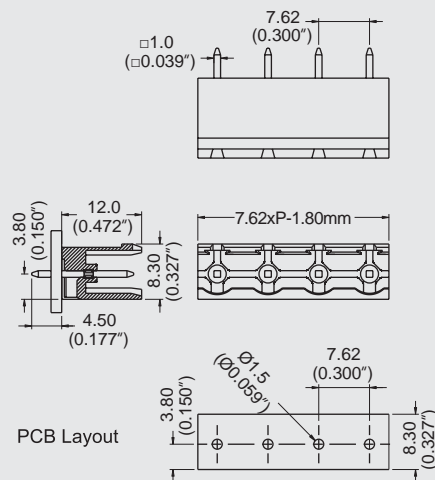
DIMENSIONS/POSITIONS

ME020-762

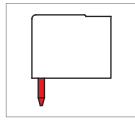
間距	Pitch	7.62mm
位數	Poles	2 ~ 16Poles
塑膠本體	Housing Material	PA 66
焊針	Pin Dimensions	Brass, Tin Plated
PCB孔徑	PCB Hole Diameter	1.5mm
環境作業溫度	Operating Temperature	-40°C to +105°C

TECHNICAL DATA

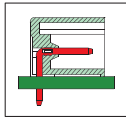
連接符合標準 Connection in acc. with standard EN-VDE		
額定電流 I _n	Nominal Current I _n	16A
額定橫截面	Nominal Cross Section	-
最大負載電流	Maximum load current	16A
絕緣材料	Insulating Material	PA
阻燃等級,符合UL94 Inflammability class acc. to UL94		V0
額定電壓,UL/CUL Nominal voltage, UL/CUL		300V
額定電流,UL/CUL Nominal current, UL/CUL		15A



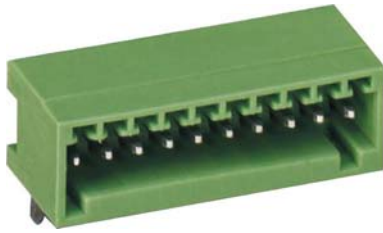
ME030 PCB Connector, Header



ME030-250



ME030-350



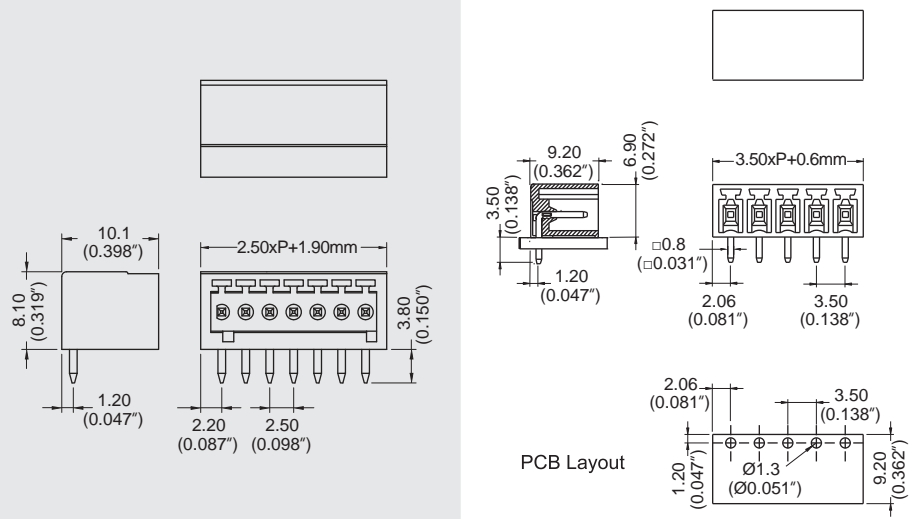
ME

DIMENSIONS/POSITIONS

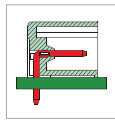
DIMENSIONS/POSITIONS		ME030-250	ME030-350
間距	Pitch	2.50mm	3.50mm
位數	Poles	2 ~ 24Poles	2 ~ 24Poles
塑膠本體	Housing Material	PA 66	PA 66
焊針	Pin Dimensions	Brass, Tin Plated	Brass, Tin Plated
PCB孔徑	PCB Hole Diameter	1.2mm	1.3mm
環境作業溫度	Operating Temperature	-40°C to +105°C	-40°C to +105°C

TECHNICAL DATA

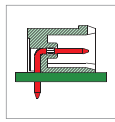
連接符合標準 Connection in acc. with standard EN-VDE			
額定電流 I _n	Nominal Current I _n	4A	8A
額定橫截面	Nominal Cross Section	-	-
最大負載電流	Maximum load current	4A	8A
絕緣材料	Insulating Material	PA	PA
阻燃等級,符合UL94 Inflammability class acc. to UL94		V0	V0
額定電壓,UL/CUL Nominal voltage, UL/CUL		125V	300V
額定電流,UL/CUL Nominal current, UL/CUL		4A	10A



ME030 PCB Connector, Header



ME030-381



ME030-500

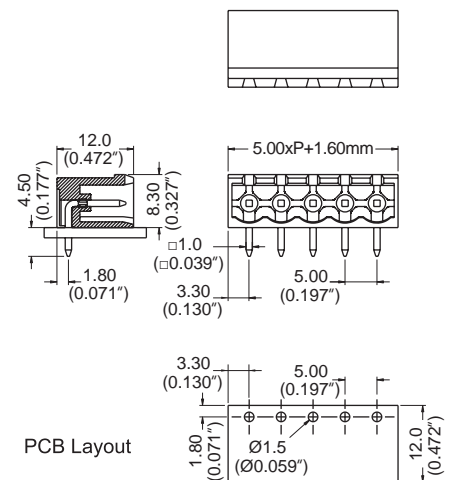
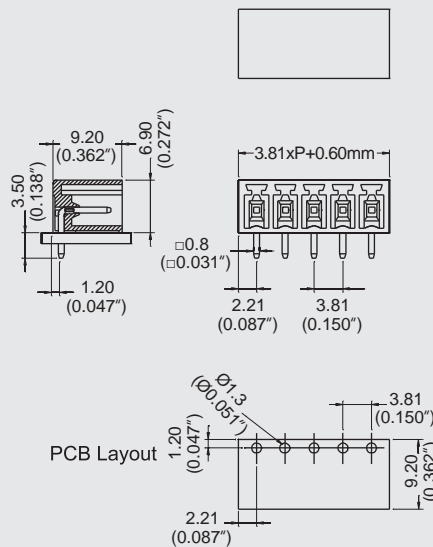


DIMENSIONS/POSITIONS

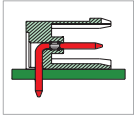
DIMENSIONS/POSITIONS		ME030-381	ME030-500
間距	Pitch	3.81mm	5.00mm
位數	Poles	2 ~ 24Poles	2 ~ 24Poles
塑膠本體	Housing Material	PA 66	PA 66
焊針	Pin Dimensions	Brass, Tin Plated	Brass, Tin Plated
PCB孔徑	PCB Hole Diameter	1.3mm	1.5mm
環境作業溫度	Operating Temperature	-40°C to +105°C	-40°C to +105°C

TECHNICAL DATA

連接符合標準 Connection in acc. with standard EN-VDE			
額定電流 I _n	Nominal Current I _n	8A	16A
額定橫截面	Nominal Cross Section	-	-
最大負載電流	Maximum load current	8A	16A
絕緣材料	Insulating Material	PA	PA
阻燃等級,符合UL94 Inflammability class acc. to UL94		V0	V0
額定電壓,UL/CUL Nominal voltage, UL/CUL		300V	300V
額定電流,UL/CUL Nominal current, UL/CUL		10A	16A



ME030 PCB Connector, Header

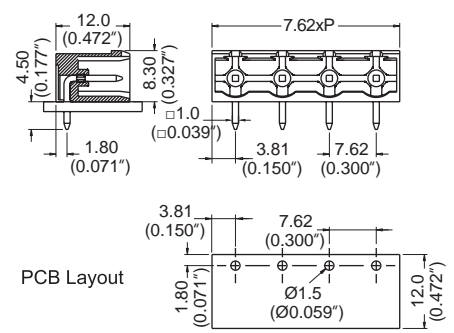
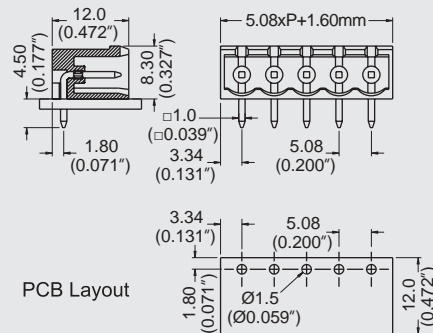
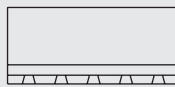


ME

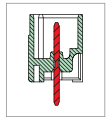
DIMENSIONS/POSITIONS		ME030-508	ME030-762
間距	Pitch	5.08mm	7.62mm
位數	Poles	2 ~ 24Poles	2 ~ 16Poles
塑膠本體	Housing Material	PA 66	PA 66
焊針	Pin Dimensions	Brass, Tin Plated	Brass, Tin Plated
PCB孔徑	PCB Hole Diameter	1.5mm	1.5mm
環境作業溫度	Operating Temperature	-40°C to +105°C	-40°C to +105°C

TECHNICAL DATA

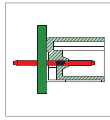
連接符合標準 Connection in acc. with standard EN-VDE			
額定電流 I _n	Nominal Current I _n	16A	16A
額定橫截面	Nominal Cross Section	-	-
最大負載電流	Maximum load current	16A	16A
絕緣材料	Insulating Material	PA	PA
阻燃等級,符合UL94 Inflammability class acc. to UL94		V0	V0
額定電壓,UL/CUL Nominal voltage, UL/CUL		300V	300V
額定電流,UL/CUL Nominal current, UL/CUL		16A	15A



ME040 PCB Connector, Header



ME040-250



ME040-350

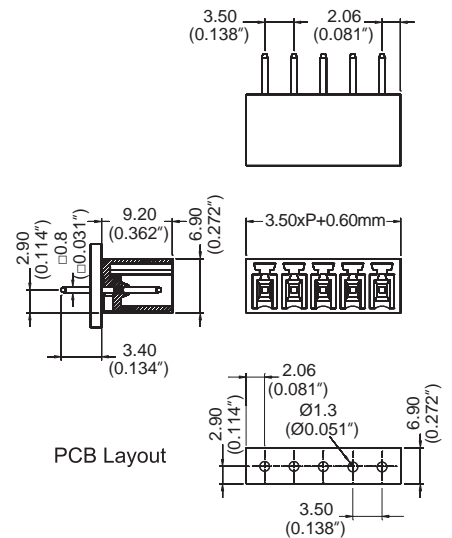
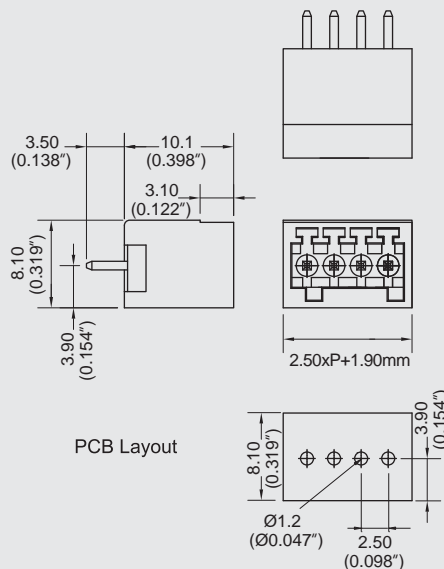


DIMENSIONS/POSITIONS

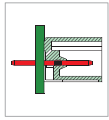
DIMENSIONS/POSITIONS		ME040-250	ME040-350
間距	Pitch	2.50mm	3.50mm
位數	Poles	2 ~ 24Poles	2 ~ 24Poles
塑膠本體	Housing Material	PA 66	PA 66
焊針	Pin Dimensions	Brass, Tin Plated	Brass, Tin Plated
PCB孔徑	PCB Hole Diameter	1.2mm	1.3mm
環境作業溫度	Operating Temperature	-40°C to +105°C	-40°C to +105°C

TECHNICAL DATA

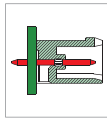
連接符合標準 Connection in acc. with standard EN-VDE			
額定電流 I _n	Nominal Current I _n	4A	8A
額定橫截面	Nominal Cross Section	-	-
最大負載電流	Maximum load current	4A	8A
絕緣材料	Insulating Material	PA	PA
阻燃等級,符合UL94 Inflammability class acc. to UL94		V0	V0
額定電壓,UL/CUL Nominal voltage, UL/CUL		125V	300V
額定電流,UL/CUL Nominal current, UL/CUL		4A	10A



ME040 PCB Connector, Header



ME040-381



ME040-500

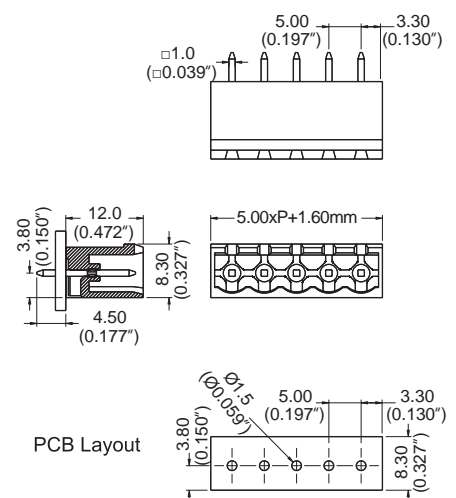
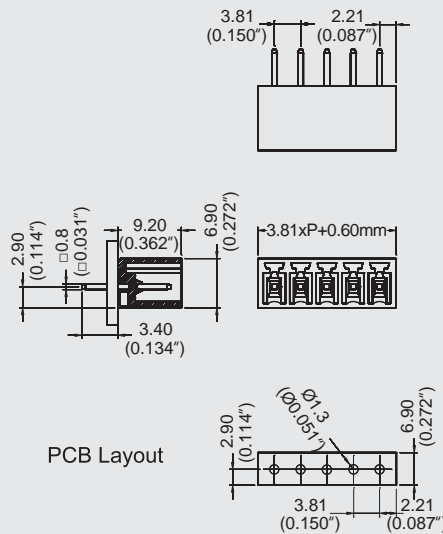


DIMENSIONS/POSITIONS

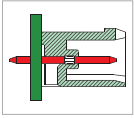
DIMENSIONS/POSITIONS		ME040-381	ME040-500
間距	Pitch	3.81mm	5.00mm
位數	Poles	2 ~ 24Poles	2 ~ 24Poles
塑膠本體	Housing Material	PA 66	PA 66
焊針	Pin Dimensions	Brass, Tin Plated	Brass, Tin Plated
PCB孔徑	PCB Hole Diameter	1.3mm	1.5mm
環境作業溫度	Operating Temperature	-40°C to +105°C	-40°C to +105°C

TECHNICAL DATA

連接符合標準 Connection in acc. with standard EN-VDE			
額定電流 I _N	Nominal Current I _N	8A	16A
額定橫截面	Nominal Cross Section	-	-
最大負載電流	Maximum load current	8A	16A
絕緣材料	Insulating Material	PA	PA
阻燃等級,符合UL94 Inflammability class acc. to UL94		V0	V0
額定電壓,UL/CUL Nominal voltage, UL/CUL		300V	300V
額定電流,UL/CUL Nominal current, UL/CUL		10A	16A



ME040 PCB Connector, Header

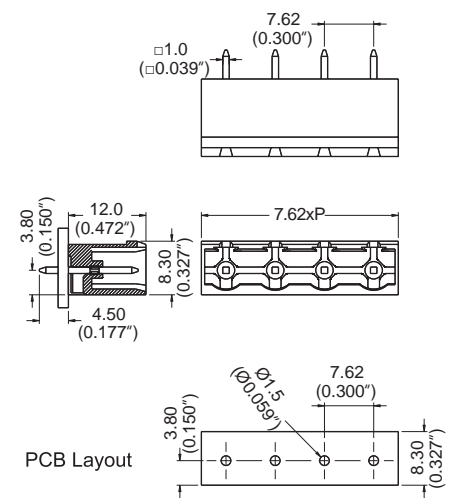
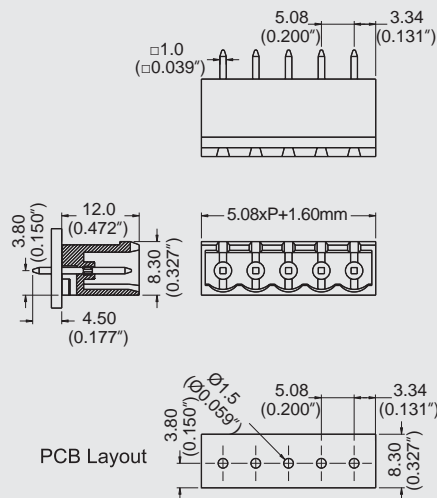


DIMENSIONS/POSITIONS

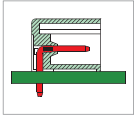
DIMENSIONS/POSITIONS		ME040-508	ME040-762
間距	Pitch	5.08mm	7.62mm
位數	Poles	2 ~ 24Poles	2 ~ 16Poles
塑膠本體	Housing Material	PA 66	PA 66
焊針	Pin Dimensions	Brass, Tin Plated	Brass, Tin Plated
PCB孔徑	PCB Hole Diameter	1.5mm	1.5mm
環境作業溫度	Operating Temperature	-40°C to +105°C	-40°C to +105°C

TECHNICAL DATA

連接符合標準 Connection in acc. with standard EN-VDE			
額定電流 I _n	Nominal Current I _n	16A	16A
額定橫截面	Nominal Cross Section	-	-
最大負載電流	Maximum load current	16A	16A
絕緣材料	Insulating Material	PA	PA
阻燃等級,符合UL94 Inflammability class acc. to UL94		V0	V0
額定電壓,UL/CUL Nominal voltage, UL/CUL		300V	300V
額定電流,UL/CUL Nominal current, UL/CUL		16A	15A



ME050 PCB Connector, Header with Flanges

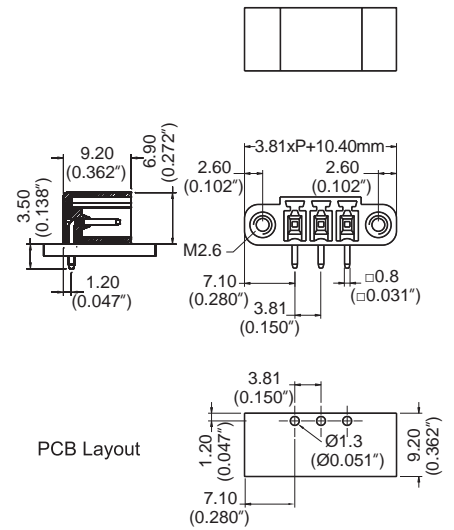
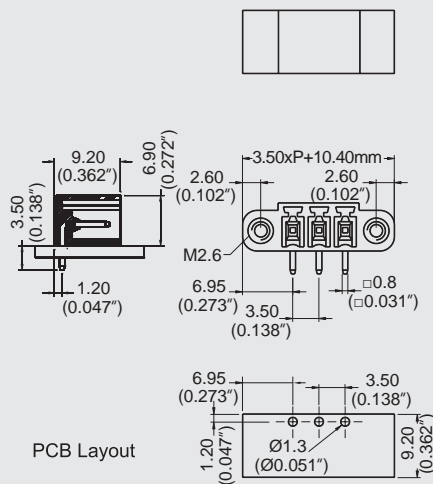


ME

DIMENSIONS/POSITIONS		ME050-350	ME050-381
間距	Pitch	3.50mm	3.81mm
位數	Poles	2 ~ 24Poles	2 ~ 24Poles
塑膠本體	Housing Material	PA 66	PA 66
焊針	Pin Dimensions	Brass, Tin Plated	Brass, Tin Plated
PCB孔徑	PCB Hole Diameter	1.3mm	1.3mm
環境作業溫度	Operating Temperature	-40°C to +105°C	-40°C to +105°C

TECHNICAL DATA

連接符合標準 Connection in acc. with standard EN-VDE			
額定電流 I _n	Nominal Current I _n	8A	8A
額定橫截面	Nominal Cross Section	-	-
最大負載電流	Maximum load current	8A	8A
絕緣材料	Insulating Material	PA	PA
阻燃等級,符合UL94 Inflammability class acc. to UL94		V0	V0
額定電壓,UL/CUL Nominal voltage, UL/CUL		300V	300V
額定電流,UL/CUL Nominal current, UL/CUL		10A	10A



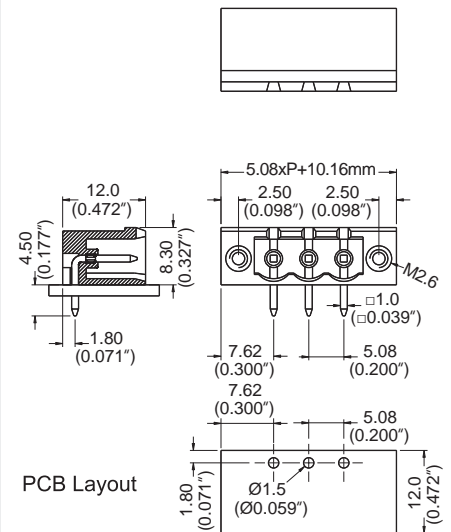
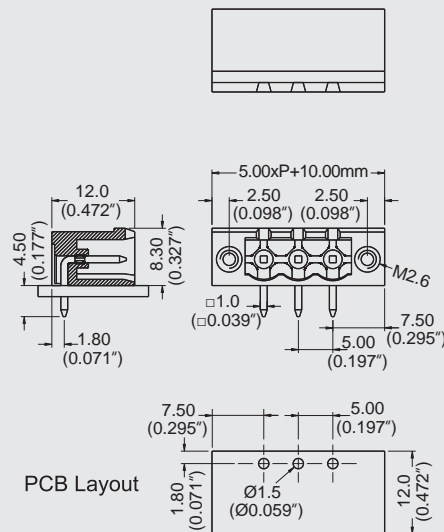
ME050 PCB Connector, Header with Flanges



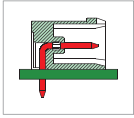
DIMENSIONS/POSITIONS		ME050-500	ME050-508
間距	Pitch	5.00mm	5.08mm
位數	Poles	2 ~ 24Poles	2 ~ 24Poles
塑膠本體	Housing Material	PA 66	PA 66
焊針	Pin Dimensions	Brass, Tin Plated	Brass, Tin Plated
PCB孔徑	PCB Hole Diameter	1.5mm	1.5mm
環境作業溫度	Operating Temperature	-40°C to +105°C	-40°C to +105°C

TECHNICAL DATA

連接符合標準 Connection in acc. with standard EN-VDE			
額定電流 I _n	Nominal Current I _n	16A	16A
額定橫截面	Nominal Cross Section	-	-
最大負載電流	Maximum load current	16A	16A
絕緣材料	Insulating Material	PA	PA
阻燃等級,符合UL94 Inflammability class acc. to UL94		V0	V0
額定電壓,UL/CUL Nominal voltage, UL/CUL		300V	300V
額定電流,UL/CUL Nominal current, UL/CUL		16A	16A



ME050 PCB Connector, Header with Flanges



ME

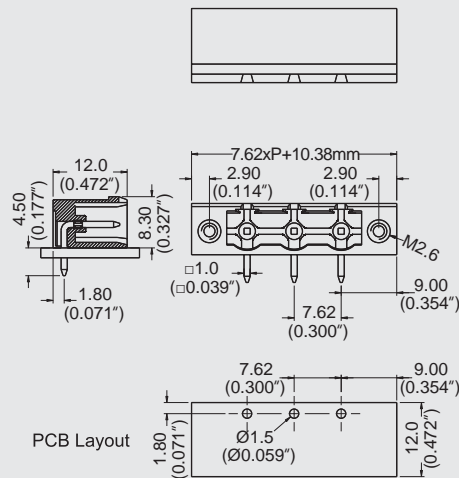
DIMENSIONS/POSITIONS

ME050-762

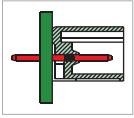
間距	Pitch	7.62mm
位數	Poles	2 ~ 16Poles
塑膠本體	Housing Material	PA 66
焊針	Pin Dimensions	Brass, Tin Plated
PCB孔徑	PCB Hole Diameter	1.5mm
環境作業溫度	Operating Temperature	-40°C to +105°C

TECHNICAL DATA

連接符合標準 Connection in acc. with standard EN-VDE		
額定電流 I _n	Nominal Current I _n	16A
額定橫截面	Nominal Cross Section	-
最大負載電流	Maximum load current	16A
絕緣材料	Insulating Material	PA
阻燃等級,符合UL94 Inflammability class acc. to UL94		V0
額定電壓,UL/CUL Nominal voltage, UL/CUL		300V
額定電流,UL/CUL Nominal current, UL/CUL		15A



ME060 Male Connector with Soldering Pin

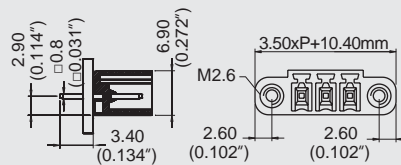
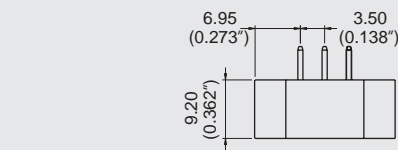


DIMENSIONS/POSITIONS

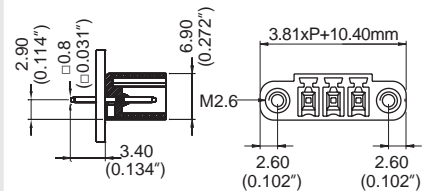
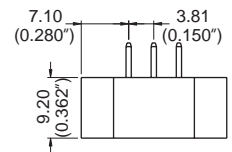
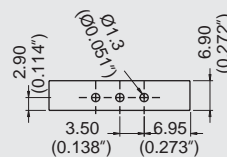
DIMENSIONS/POSITIONS		ME060-350	ME060-381
間距	Pitch	3.50mm	3.81mm
位數	Poles	2 ~ 24Poles	2 ~ 24Poles
塑膠本體	Housing Material	PA 66	PA 66
焊針	Pin Dimensions	Brass, Tin Plated	Brass, Tin Plated
PCB孔徑	PCB Hole Diameter	1.3mm	1.3mm
環境作業溫度	Operating Temperature	-40°C to +105°C	-40°C to +105°C

TECHNICAL DATA

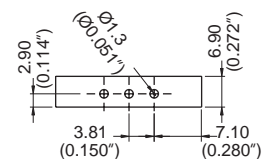
連接符合標準 Connection in acc. with standard EN-VDE		
額定電流 I _n	Nominal Current I _n	8A
額定橫截面	Nominal Cross Section	-
最大負載電流	Maximum load current	8A
絕緣材料	Insulating Material	PA
阻燃等級,符合UL94 Inflammability class acc. to UL94		V0
額定電壓,UL/CUL Nominal voltage, UL/CUL		300V
額定電流,UL/CUL Nominal current, UL/CUL		10A



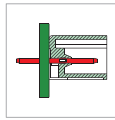
PCB Layout



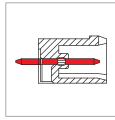
PCB Layout



ME060 Male Connector with Soldering Pin



ME060-500



ME060-500..A1



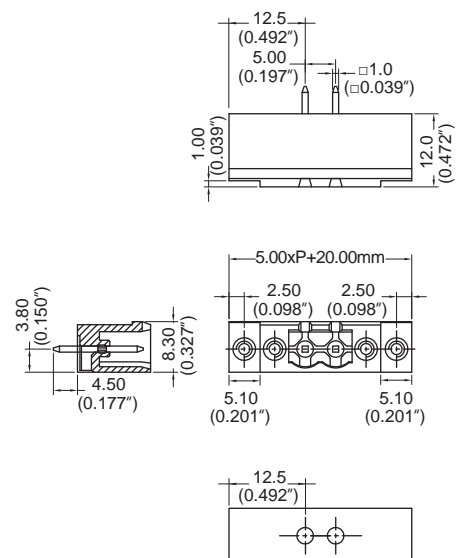
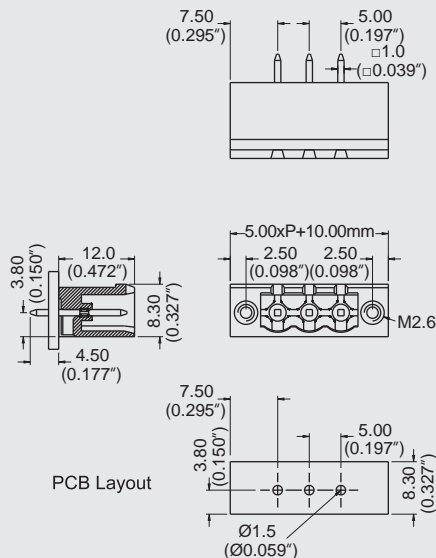
ME

DIMENSIONS/POSITIONS

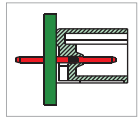
DIMENSIONS/POSITIONS		ME060-500	ME060-500..A1
間距	Pitch	5.00mm	5.00mm
位數	Poles	2 ~ 24Poles	2 ~ 24Poles
塑膠本體	Housing Material	PA 66	PA 66
焊針	Pin Dimensions	Brass, Tin Plated	Brass, Tin Plated
PCB孔徑	PCB Hole Diameter	1.5mm	1.5mm
環境作業溫度	Operating Temperature	-40°C to +105°C	-40°C to +105°C

TECHNICAL DATA

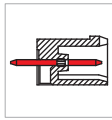
連接符合標準 Connection in acc. with standard EN-VDE			
額定電流 I _n	Nominal Current I _n	16A	16A
額定橫截面	Nominal Cross Section	-	-
最大負載電流	Maximum load current	16A	16A
絕緣材料	Insulating Material	PA	PA
阻燃等級,符合UL94 Inflammability class acc. to UL94		V0	V0
額定電壓,UL/CUL Nominal voltage, UL/CUL		300V	300V
額定電流,UL/CUL Nominal current, UL/CUL		16A	16A



ME060 Male Connector with Soldering Pin



ME060-508



ME060-508..A1

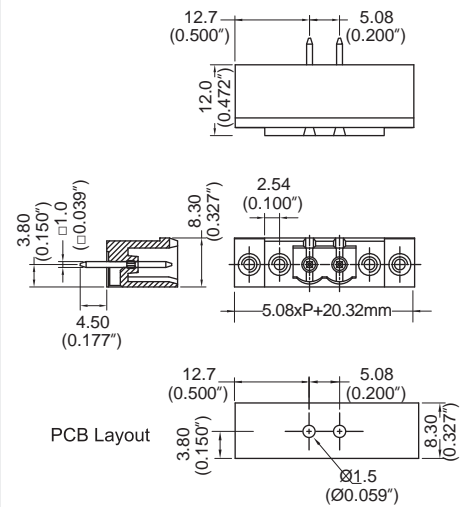
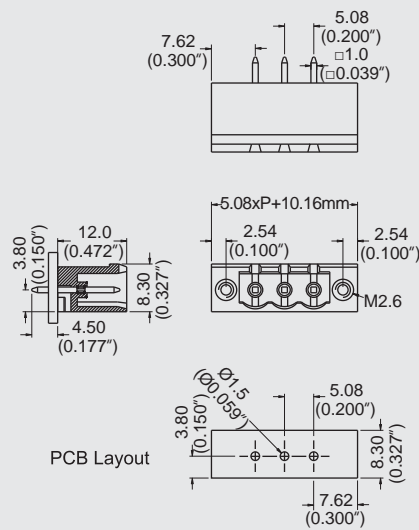


DIMENSIONS/POSITIONS

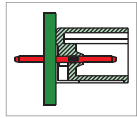
DIMENSIONS/POSITIONS		ME060-508	ME060-508..A1
間距	Pitch	5.08mm	5.08mm
位數	Poles	2 ~ 24Poles	2 ~ 16Poles
塑膠本體	Housing Material	PA 66	PA 66
焊針	Pin Dimensions	Brass, Tin Plated	Brass, Tin Plated
PCB孔徑	PCB Hole Diameter	1.5mm	1.5mm
環境作業溫度	Operating Temperature	-40°C to +105°C	-40°C to +105°C

TECHNICAL DATA

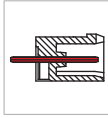
連接符合標準 Connection in acc. with standard EN-VDE			
額定電流 I _n	Nominal Current I _n	16A	16A
額定橫截面	Nominal Cross Section	-	-
最大負載電流	Maximum load current	16A	16A
絕緣材料	Insulating Material	PA	PA
阻燃等級,符合UL94 Inflammability class acc. to UL94		V0	V0
額定電壓,UL/CUL Nominal voltage, UL/CUL		300V	300V
額定電流,UL/CUL Nominal current, UL/CUL		16A	16A



ME060 Male Connector with Soldering Pin



ME060-762



ME060-762..A1

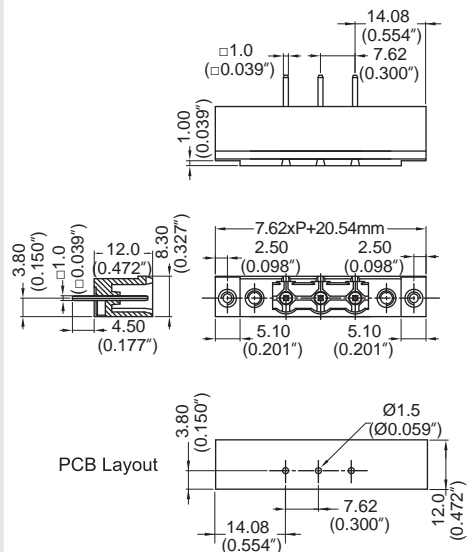
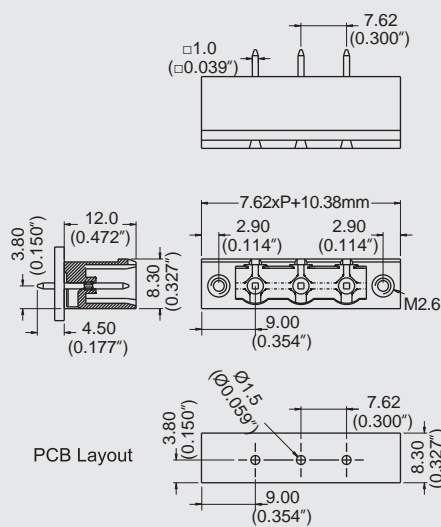
ME

DIMENSIONS/POSITIONS

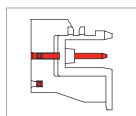
DIMENSIONS/POSITIONS		ME060-762	ME060-762..A1
間距	Pitch	7.62mm	7.62mm
位數	Poles	2 ~ 16Poles	2 ~ 16Poles
塑膠本體	Housing Material	PA 66	PA 66
焊針	Pin Dimensions	Brass, Tin Plated	Brass, Tin Plated
PCB孔徑	PCB Hole Diameter	1.5mm	1.5mm
環境作業溫度	Operating Temperature	-40°C to +105°C	-40°C to +105°C

TECHNICAL DATA

連接符合標準 Connection in acc. with standard EN-VDE			
額定電流 I _n	Nominal Current I _n	16A	16A
額定橫截面	Nominal Cross Section	-	-
最大負載電流	Maximum load current	16A	16A
絕緣材料	Insulating Material	PA	PA
阻燃等級,符合UL94 Inflammability class acc. to UL94		V0	V0
額定電壓,UL/CUL Nominal voltage, UL/CUL		300V	300V
額定電流,UL/CUL Nominal current, UL/CUL		15A	15A



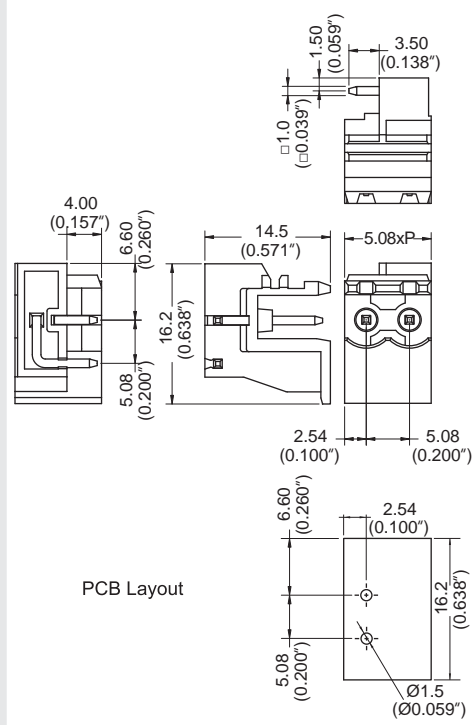
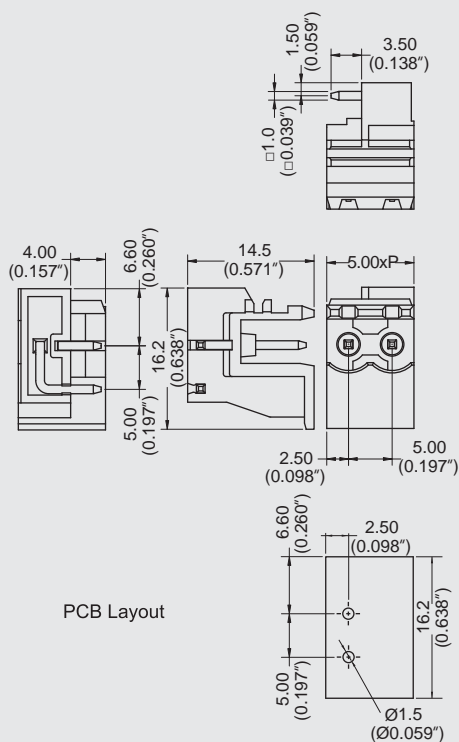
ME09L Male Connector with Soldering Pin



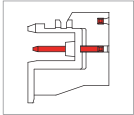
DIMENSIONS/POSITIONS		ME09L-500	ME09L-508
間距	Pitch	5.00mm	5.08mm
位數	Poles	2 ~ 4Poles	2 ~ 4Poles
塑膠本體	Housing Material	PA 66	PA 66
焊針	Pin Dimensions	Brass, Tin Plated	Brass, Tin Plated
PCB孔徑	PCB Hole Diameter	1.5mm	1.5mm
環境作業溫度	Operating Temperature	-40°C to +105°C	-40°C to +105°C

TECHNICAL DATA

連接符合標準 Connection in acc. with standard EN-VDE			
額定電流 I _n	Nominal Current I _n	16A	16A
額定橫截面	Nominal Cross Section	-	-
最大負載電流	Maximum load current	16A	16A
絕緣材料	Insulating Material	PA	PA
阻燃等級,符合UL94 Inflammability class acc. to UL94		V0	V0
額定電壓,UL/CUL Nominal voltage, UL/CUL		300V	300V
額定電流,UL/CUL Nominal current, UL/CUL		16A	16A



ME09R Male Connector with Soldering Pin

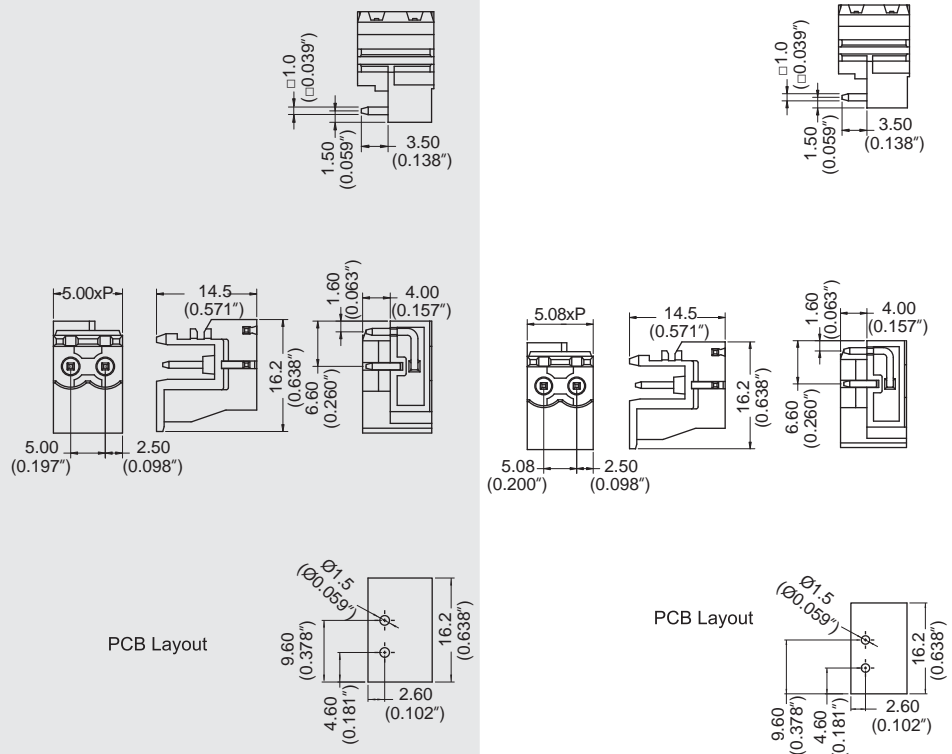


ME

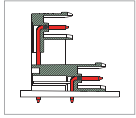
DIMENSIONS/POSITIONS		ME09R-500	ME09R-508
間距	Pitch	5.00mm	5.08mm
位數	Poles	2 ~ 4Poles	2 ~ 4Poles
塑膠本體	Housing Material	PA 66	PA 66
焊針	Pin Dimensions	Brass, Tin Plated	Brass, Tin Plated
PCB孔徑	PCB Hole Diameter	1.5mm	1.5mm
環境作業溫度	Operating Temperature	-40°C to +105°C	-40°C to +105°C

TECHNICAL DATA

連接符合標準 Connection in acc. with standard EN-VDE			
額定電流 I _n	Nominal Current I _n	16A	16A
額定橫截面	Nominal Cross Section	-	-
最大負載電流	Maximum load current	16A	16A
絕緣材料	Insulating Material	PA	PA
阻燃等級,符合UL94 Inflammability class acc. to UL94		V0	V0
額定電壓,UL/CUL Nominal voltage, UL/CUL		300V	300V
額定電流,UL/CUL Nominal current, UL/CUL		16A	16A



ME110 Male Connector, Double Level Header-Modular

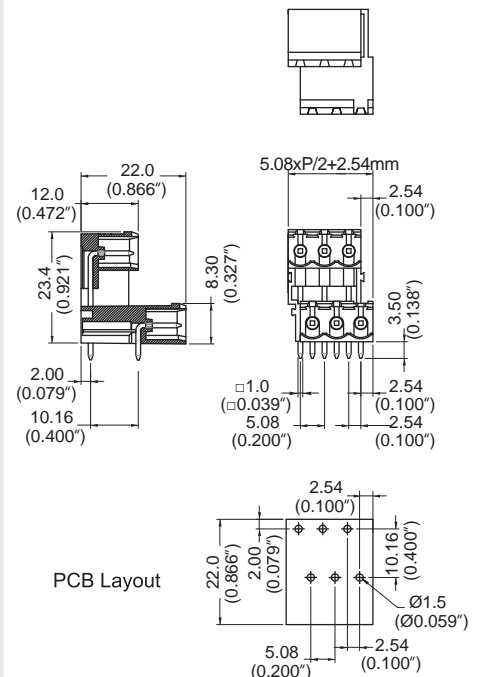
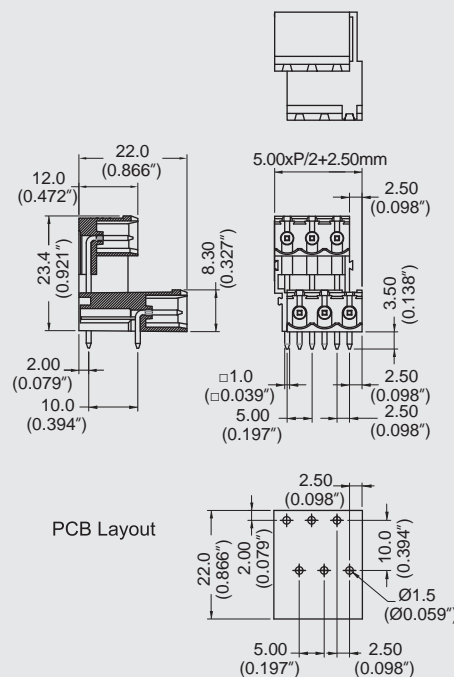


DIMENSIONS/POSITIONS

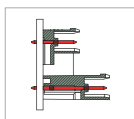
DIMENSIONS/POSITIONS		ME110-500M	ME110-508M
間距	Pitch	5.00mm	5.08mm
位數	Poles	4 ~ 6Poles	4 ~ 6Poles
塑膠本體	Housing Material	PA 66	PA 66
焊針	Pin Dimensions	Brass, Tin Plated	Brass, Tin Plated
PCB孔徑	PCB Hole Diameter	1.5mm	1.5mm
環境作業溫度	Operating Temperature	-40°C to +105°C	-40°C to +105°C

TECHNICAL DATA

連接符合標準 Connection in acc. with standard EN-VDE			
額定電流 I _n	Nominal Current I _n	12A	12A
額定橫截面	Nominal Cross Section	-	-
最大負載電流	Maximum load current	12A	12A
絕緣材料	Insulating Material	PA	PA
阻燃等級,符合UL94 Inflammability class acc. to UL94		V0	V0
額定電壓,UL/CUL Nominal voltage, UL/CUL		300V	300V
額定電流,UL/CUL Nominal current, UL/CUL		16A	16A



ME120 Male Connector, Double Level Header-Modular DECA®



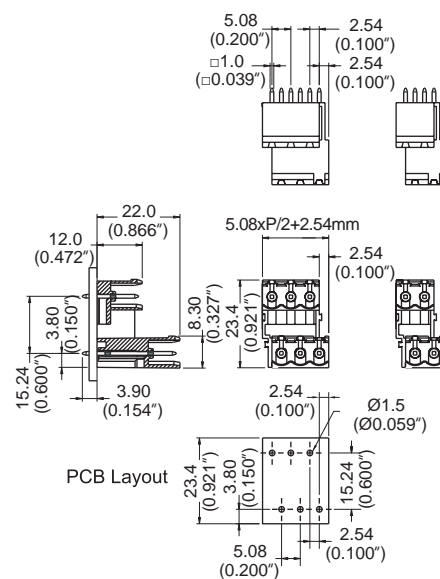
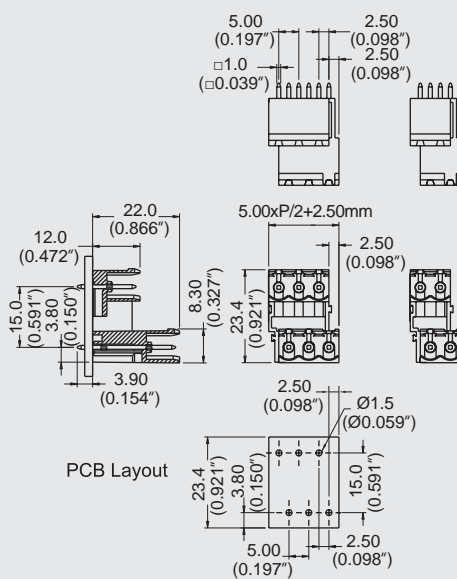
ME

DIMENSIONS/POSITIONS

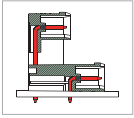
DIMENSIONS/POSITIONS		ME120-500M	ME120-508M
間距	Pitch	5.00mm	5.08mm
位數	Poles	4 ~ 6Poles	4 ~ 6Poles
塑膠本體	Housing Material	PA 66	PA 66
焊針	Pin Dimensions	Brass, Tin Plated	Brass, Tin Plated
PCB孔徑	PCB Hole Diameter	1.5mm	1.5mm
環境作業溫度	Operating Temperature	-40°C to +105°C	-40°C to +105°C

TECHNICAL DATA

連接符合標準 Connection in acc. with standard EN-VDE			
額定電流 I _n	Nominal Current I _n	12A	12A
額定橫截面	Nominal Cross Section	-	-
最大負載電流	Maximum load current	12A	12A
絕緣材料	Insulating Material	PA	PA
阻燃等級,符合UL94 Inflammability class acc. to UL94		V0	V0
額定電壓,UL/CUL Nominal voltage, UL/CUL		300V	300V
額定電流,UL/CUL Nominal current, UL/CUL		16A	16A



ME130 Male Connector, Double Level Header

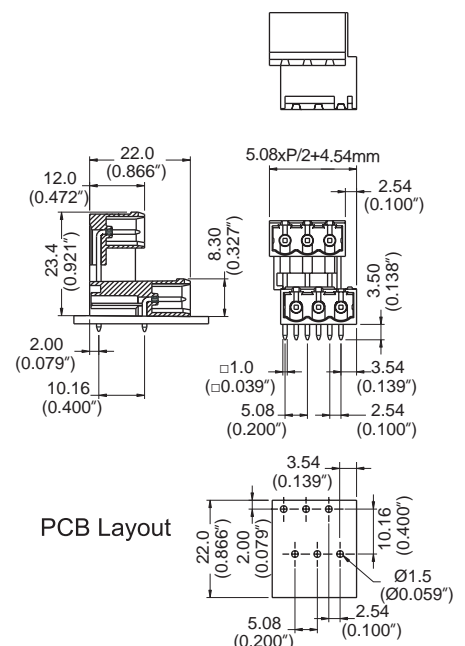
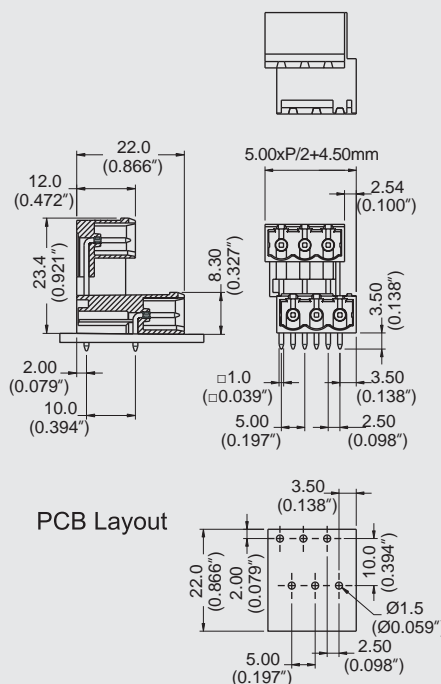


DIMENSIONS/POSITIONS

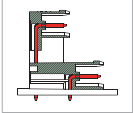
DIMENSIONS/POSITIONS		ME130-500	ME130-508
間距	Pitch	5.00mm	5.08mm
位數	Poles	4 ~ 48Poles	4 ~ 48Poles
塑膠本體	Housing Material	PA 66	PA 66
焊針	Pin Dimensions	Brass, Tin Plated	Brass, Tin Plated
PCB孔徑	PCB Hole Diameter	1.5mm	1.5mm
環境作業溫度	Operating Temperature	-40°C to +105°C	-40°C to +105°C

TECHNICAL DATA

連接符合標準 Connection in acc. with standard EN-VDE			
額定電流 I _n	Nominal Current I _n	12A	12A
額定橫截面	Nominal Cross Section	-	-
最大負載電流	Maximum load current	12A	12A
絕緣材料	Insulating Material	PA	PA
阻燃等級,符合UL94 Inflammability class acc. to UL94		V0	V0
額定電壓,UL/CUL Nominal voltage, UL/CUL		300V	300V
額定電流,UL/CUL Nominal current, UL/CUL		16A	16A



ME13L Male Connector, Double Level Header-Modular

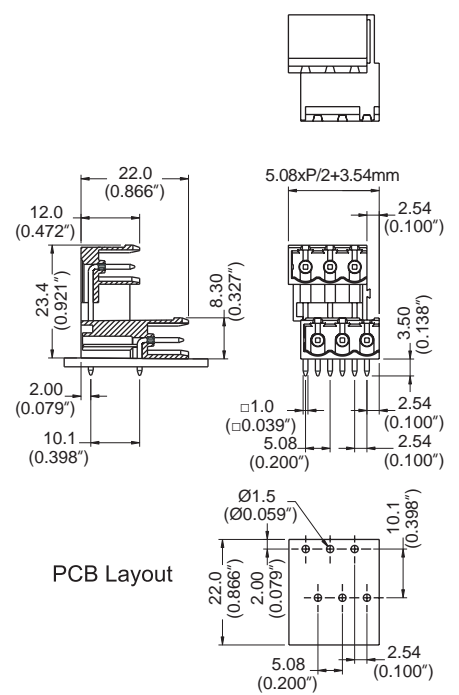
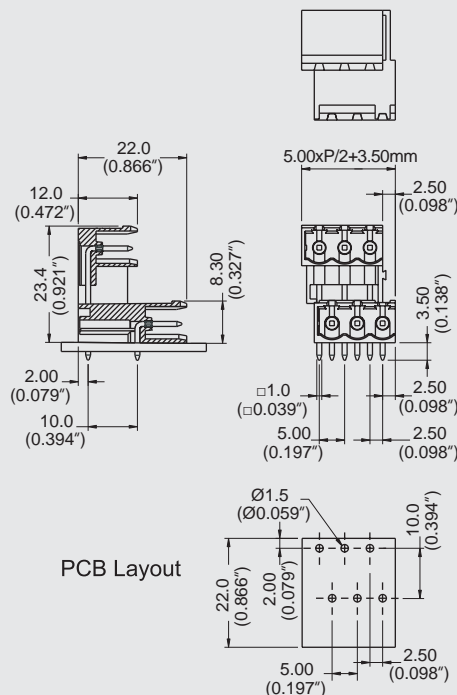


ME

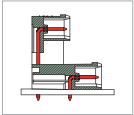
DIMENSIONS/POSITIONS		ME13L-500M	ME13L-508M
間距	Pitch	5.00mm	5.08mm
位數	Poles	4 ~ 6Poles	4 ~ 6Poles
塑膠本體	Housing Material	PA 66	PA 66
焊針	Pin Dimensions	Brass, Tin Plated	Brass, Tin Plated
PCB孔徑	PCB Hole Diameter	1.5mm	1.5mm
環境作業溫度	Operating Temperature	-40°C to +105°C	-40°C to +105°C

TECHNICAL DATA

連接符合標準 Connection in acc. with standard EN-VDE			
額定電流 I _n	Nominal Current I _n	16A	16A
額定橫截面	Nominal Cross Section	-	-
最大負載電流	Maximum load current	16A	16A
絕緣材料	Insulating Material	PA	PA
阻燃等級,符合UL94 Inflammability class acc. to UL94		V0	V0
額定電壓,UL/CUL Nominal voltage, UL/CUL		300V	300V
額定電流,UL/CUL Nominal current, UL/CUL		16A	16A



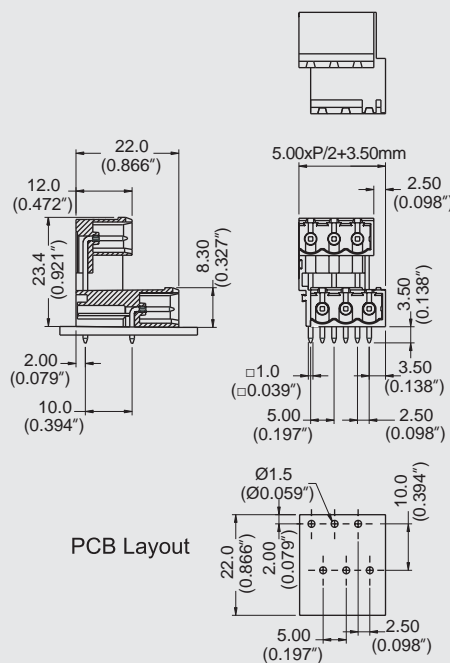
ME13R Male Connector, Double Level Header-Modular



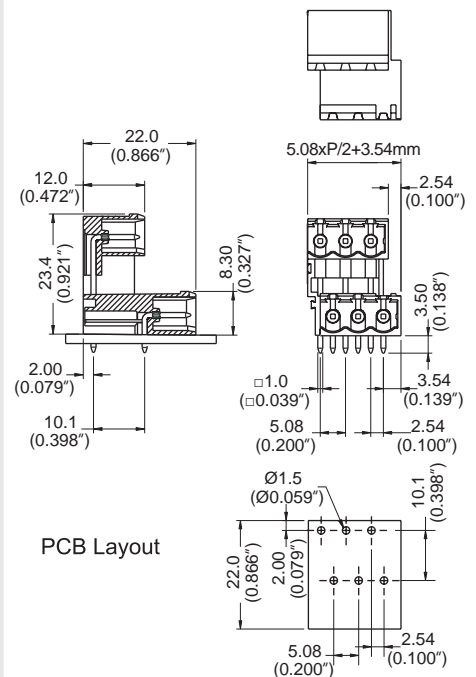
DIMENSIONS/POSITIONS		ME13R-500M	ME13R-508M
間距	Pitch	5.00mm	5.08mm
位數	Poles	4 ~ 6Poles	4 ~ 6Poles
塑膠本體	Housing Material	PA 66	PA 66
焊針	Pin Dimensions	Brass, Tin Plated	Brass, Tin Plated
PCB孔徑	PCB Hole Diameter	1.5mm	1.5mm
環境作業溫度	Operating Temperature	-40°C to +105°C	-40°C to +105°C

TECHNICAL DATA

連接符合標準 Connection in acc. with standard EN-VDE			
額定電流 I _n	Nominal Current I _n	16A	16A
額定橫截面	Nominal Cross Section	-	-
最大負載電流	Maximum load current	16A	16A
絕緣材料	Insulating Material	PA	PA
阻燃等級,符合UL94 Inflammability class acc. to UL94		V0	V0
額定電壓,UL/CUL Nominal voltage, UL/CUL		300V	300V
額定電流,UL/CUL Nominal current, UL/CUL		16A	16A



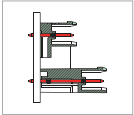
PCB Layout



PCB Layout

ME

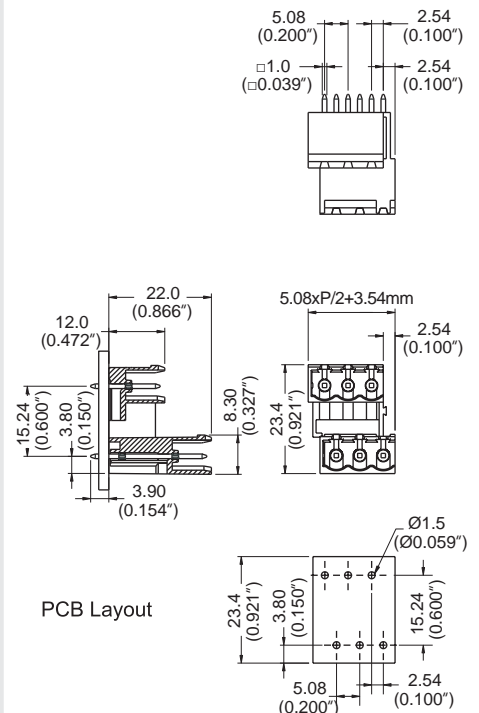
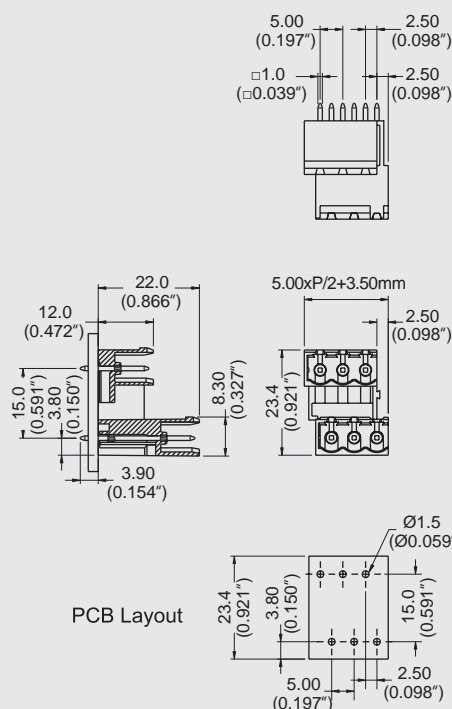
ME14L Male Connector, Double Level Header-Modular



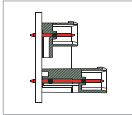
DIMENSIONS/POSITIONS		ME14L-500M	ME14L-508M
間距	Pitch	5.00mm	5.08mm
位數	Poles	4 ~ 6Poles	4 ~ 6Poles
塑膠本體	Housing Material	PA 66	PA 66
焊針	Pin Dimensions	Brass, Tin Plated	Brass, Tin Plated
PCB孔徑	PCB Hole Diameter	1.5mm	1.5mm
環境作業溫度	Operating Temperature	-40°C to +105°C	-40°C to +105°C

TECHNICAL DATA

連接符合標準 Connection in acc. with standard EN-VDE			
額定電流 I _n	Nominal Current I _n	16A	16A
額定橫截面	Nominal Cross Section	-	-
最大負載電流	Maximum load current	16A	16A
絕緣材料	Insulating Material	PA	PA
阻燃等級,符合UL94 Inflammability class acc. to UL94		V0	V0
額定電壓,UL/CUL Nominal voltage, UL/CUL		300V	300V
額定電流,UL/CUL Nominal current, UL/CUL		16A	16A



ME14R Male Connector, Double Level Header-Modular



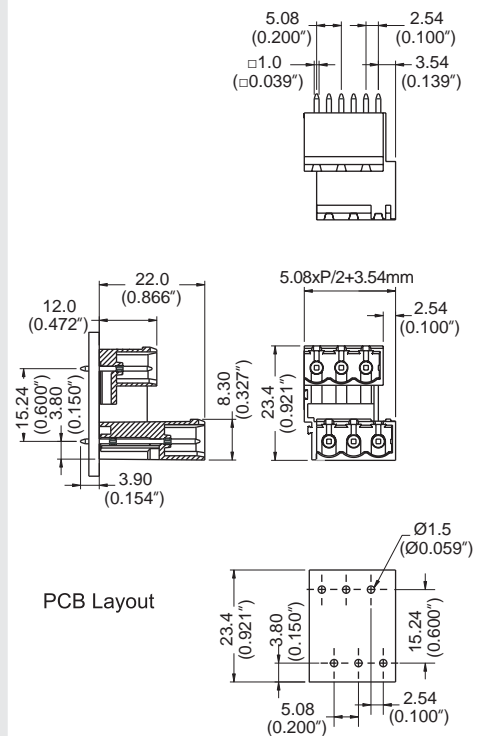
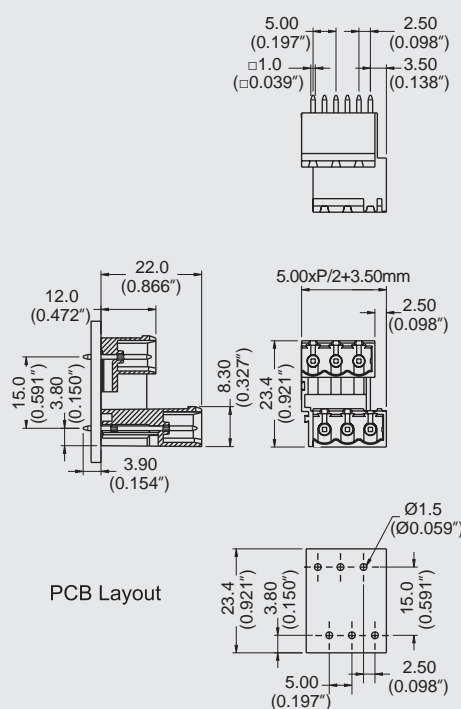
ME

DIMENSIONS/POSITIONS

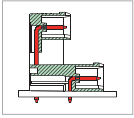
DIMENSIONS/POSITIONS		ME14R-500M	ME14R-508M
間距	Pitch	5.00mm	5.08mm
位數	Poles	4 ~ 6Poles	4 ~ 6Poles
塑膠本體	Housing Material	PA 66	PA 66
焊針	Pin Dimensions	Brass, Tin Plated	Brass, Tin Plated
PCB孔徑	PCB Hole Diameter	1.5mm	1.5mm
環境作業溫度	Operating Temperature	-40°C to +105°C	-40°C to +105°C

TECHNICAL DATA

連接符合標準 Connection in acc. with standard EN-VDE			
額定電流 I _n	Nominal Current I _n	16A	16A
額定橫截面	Nominal Cross Section	-	-
最大負載電流	Maximum load current	16A	16A
絕緣材料	Insulating Material	PA	PA
阻燃等級,符合UL94 Inflammability class acc. to UL94		V0	V0
額定電壓,UL/CUL Nominal voltage, UL/CUL		300V	300V
額定電流,UL/CUL Nominal current, UL/CUL		16A	16A



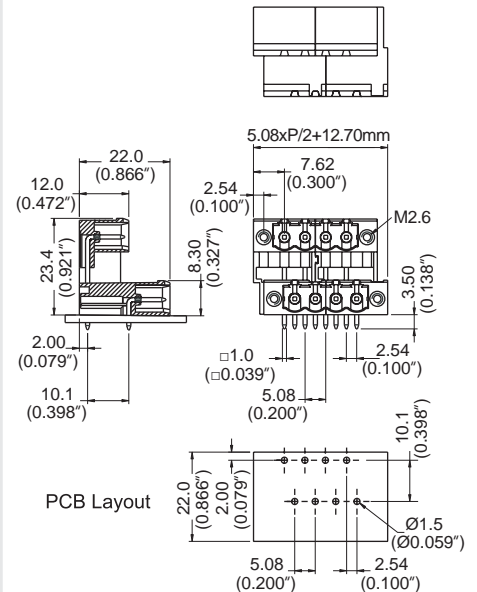
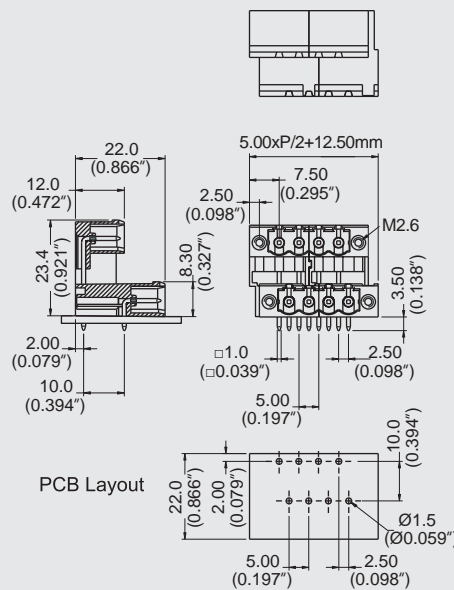
ME150 Male Connector, Double Level Header with Flanges **DECA®**



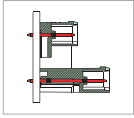
DIMENSIONS/POSITIONS		ME150-500	ME150-508
間距	Pitch	5.00mm	5.08mm
位數	Poles	4 ~ 48Poles	4 ~ 48Poles
塑膠本體	Housing Material	PA 66	PA 66
焊針	Pin Dimensions	Brass, Tin Plated	Brass, Tin Plated
PCB孔徑	PCB Hole Diameter	1.5mm	1.5mm
環境作業溫度	Operating Temperature	-40°C to +105°C	-40°C to +105°C

TECHNICAL DATA

連接符合標準 Connection in acc. with standard EN-VDE			
額定電流 I _n	Nominal Current I _n	16A	16A
額定橫截面	Nominal Cross Section	-	-
最大負載電流	Maximum load current	16A	16A
絕緣材料	Insulating Material	PA	PA
阻燃等級,符合UL94 Inflammability class acc. to UL94		V0	V0
額定電壓,UL/CUL Nominal voltage, UL/CUL		300V	300V
額定電流,UL/CUL Nominal current, UL/CUL		16A	16A



ME140 Male Connector, Double Level Header



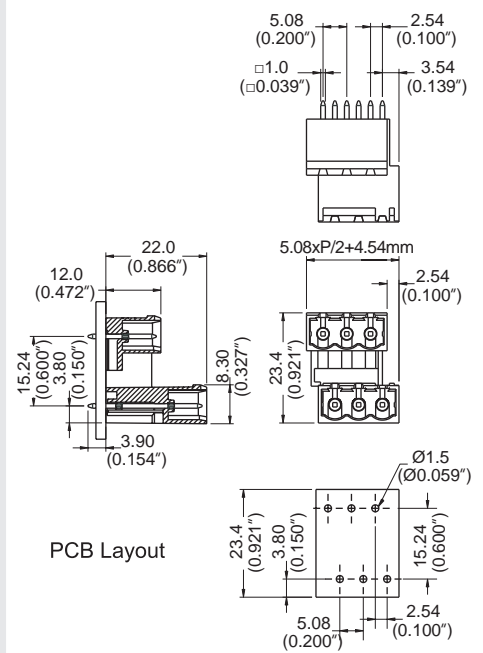
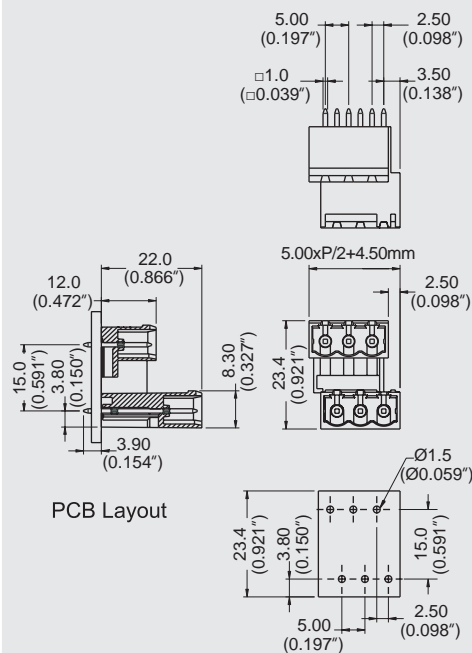
ME

DIMENSIONS/POSITIONS

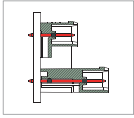
DIMENSIONS/POSITIONS		ME140-500	ME140-508
間距	Pitch	5.00mm	5.08mm
位數	Poles	4 ~ 48Poles	4 ~ 48Poles
塑膠本體	Housing Material	PA 66	PA 66
焊針	Pin Dimensions	Brass, Tin Plated	Brass, Tin Plated
PCB孔徑	PCB Hole Diameter	1.5mm	1.5mm
環境作業溫度	Operating Temperature	-40°C to +105°C	-40°C to +105°C

TECHNICAL DATA

連接符合標準 Connection in acc. with standard EN-VDE			
額定電流 I _n	Nominal Current I _n	12A	12A
額定橫截面	Nominal Cross Section	-	-
最大負載電流	Maximum load current	12A	12A
絕緣材料	Insulating Material	PA	PA
阻燃等級,符合UL94 Inflammability class acc. to UL94		V0	V0
額定電壓,UL/CUL Nominal voltage, UL/CUL		300V	300V
額定電流,UL/CUL Nominal current, UL/CUL		16A	16A



ME160 Male Connector, Double Level Header with Flanges **DECA®**

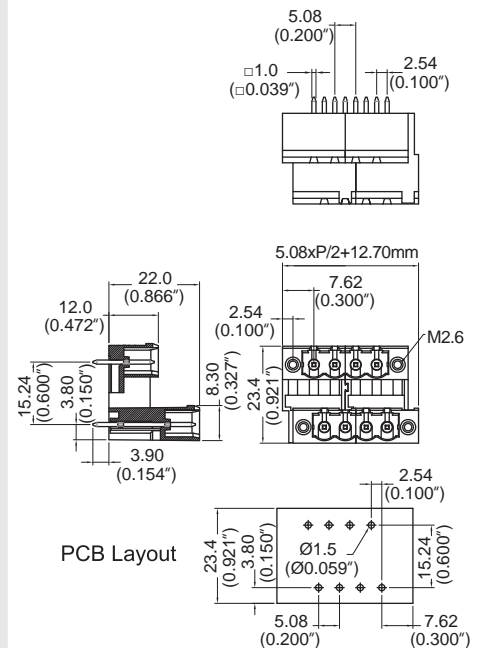
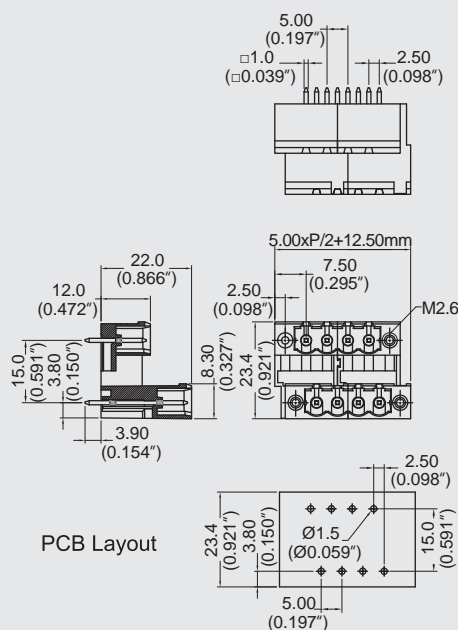


ME

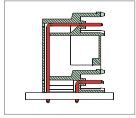
DIMENSIONS/POSITIONS		ME160-500	ME160-508
間距	Pitch	5.00mm	5.08mm
位數	Poles	4 ~ 48Poles	4 ~ 48Poles
塑膠本體	Housing Material	PA 66	PA 66
焊針	Pin Dimensions	Brass, Tin Plated	Brass, Tin Plated
PCB孔徑	PCB Hole Diameter	1.5mm	1.5mm
環境作業溫度	Operating Temperature	-40°C to +105°C	-40°C to +105°C

TECHNICAL DATA

連接符合標準 Connection in acc. with standard EN-VDE			
額定電流 I _n	Nominal Current I _n	12A	12A
額定橫截面	Nominal Cross Section	-	-
最大負載電流	Maximum load current	12A	12A
絕緣材料	Insulating Material	PA	PA
阻燃等級,符合UL94 Inflammability class acc. to UL94		V0	V0
額定電壓,UL/CUL Nominal voltage, UL/CUL		300V	300V
額定電流,UL/CUL Nominal current, UL/CUL		16A	16A



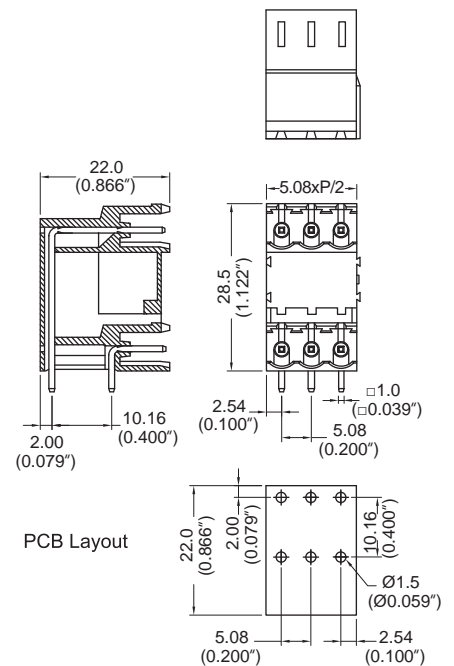
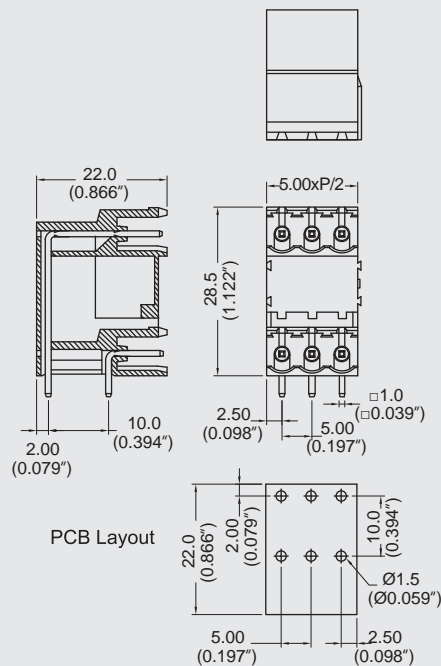
ME210 Male Connector, Double Level Header-Modular



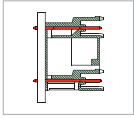
DIMENSIONS/POSITIONS		ME210-500M	ME210-508M
間距	Pitch	5.00mm	5.08mm
位數	Poles	4 ~ 6Poles	4 ~ 6Poles
塑膠本體	Housing Material	PA 66	PA 66
焊針	Pin Dimensions	Brass, Tin Plated	Brass, Tin Plated
PCB孔徑	PCB Hole Diameter	1.5mm	1.5mm
環境作業溫度	Operating Temperature	-40°C to +105°C	-40°C to +105°C

TECHNICAL DATA

連接符合標準 Connection in acc. with standard EN-VDE			
額定電流 I _n	Nominal Current I _n	12A	12A
額定橫截面	Nominal Cross Section	-	-
最大負載電流	Maximum load current	12A	12A
絕緣材料	Insulating Material	PA	PA
阻燃等級,符合UL94 Inflammability class acc. to UL94		V0	V0
額定電壓,UL/CUL Nominal voltage, UL/CUL		300V	300V
額定電流,UL/CUL Nominal current, UL/CUL		16A	16A



ME220 Male Connector, Double Level Header-Modular

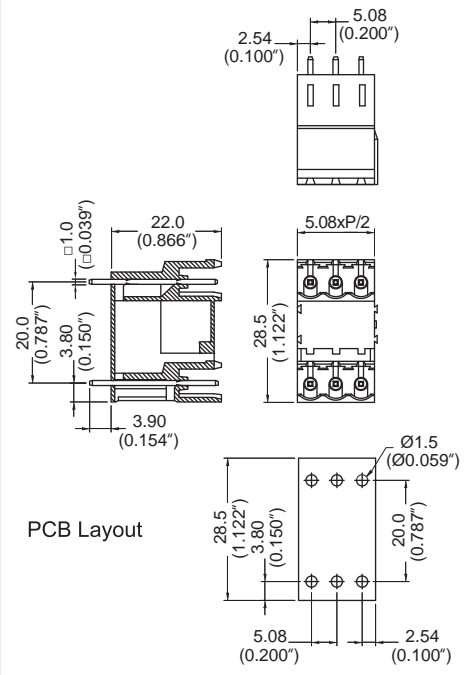
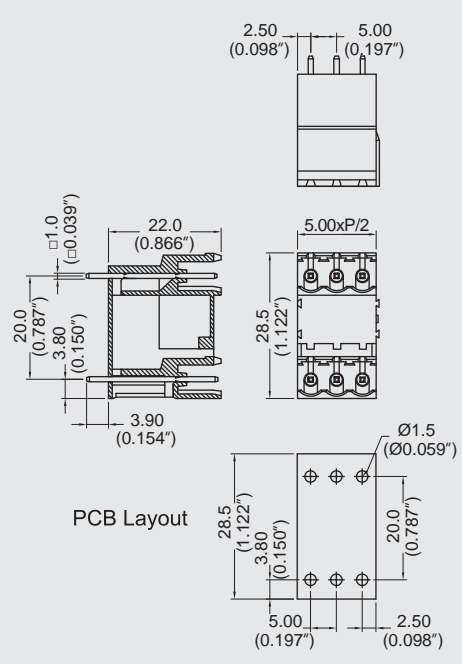


ME

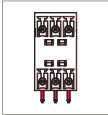
DIMENSIONS/POSITIONS		ME220-500M	ME220-508M
間距	Pitch	5.00mm	5.08mm
位數	Poles	4 ~ 6Poles	4 ~ 48Poles
塑膠本體	Housing Material	PA 66	PA 66
焊針	Pin Dimensions	Brass, Tin Plated	Brass, Tin Plated
PCB孔徑	PCB Hole Diameter	1.5mm	1.5mm
環境作業溫度	Operating Temperature	-40°C to +105°C	-40°C to +105°C

TECHNICAL DATA

連接符合標準 Connection in acc. with standard EN-VDE		
額定電流 I _n	Nominal Current I _n	12A
額定橫截面	Nominal Cross Section	-
最大負載電流	Maximum load current	12A
絕緣材料	Insulating Material	PA
阻燃等級,符合UL94 Inflammability class acc. to UL94		V0
額定電壓,UL/CUL Nominal voltage, UL/CUL		300V
額定電流,UL/CUL Nominal current, UL/CUL		16A



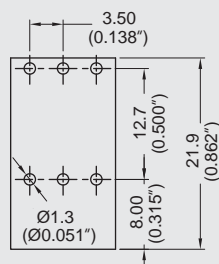
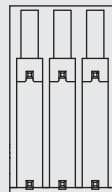
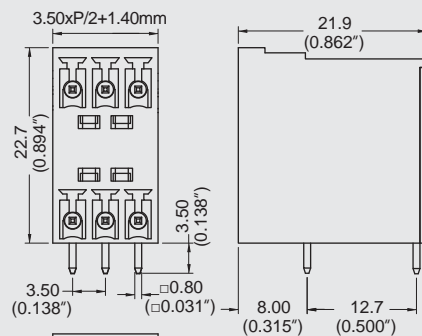
ME230 Male Connector, Double Level Header



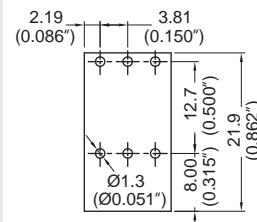
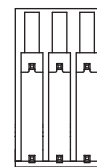
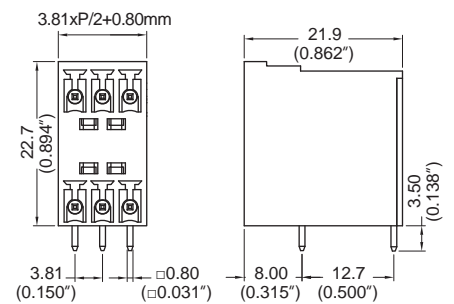
DIMENSIONS/POSITIONS		ME230-350	ME230-381
間距	Pitch	3.50mm	3.81mm
位數	Poles	4 ~ 48Poles	4 ~ 48Poles
塑膠本體	Housing Material	PA 66	PA 66
焊針	Pin Dimensions	Brass, Tin Plated	Brass, Tin Plated
PCB孔徑	PCB Hole Diameter	1.3mm	1.3mm
環境作業溫度	Operating Temperature	-40°C to +105°C	-40°C to +105°C

TECHNICAL DATA

連接符合標準 Connection in acc. with standard EN-VDE			
額定電流 I _n	Nominal Current I _n	10A	10A
額定橫截面	Nominal Cross Section	-	-
最大負載電流	Maximum load current	10A	10A
絕緣材料	Insulating Material	PA	PA
阻燃等級,符合UL94 Inflammability class acc. to UL94		V0	V0
額定電壓,UL/CUL Nominal voltage, UL/CUL		300V	300V
額定電流,UL/CUL Nominal current, UL/CUL		10A	10A

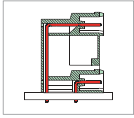


PCB Layout



PCB Layout

ME230 Male Connector, Double Level Header

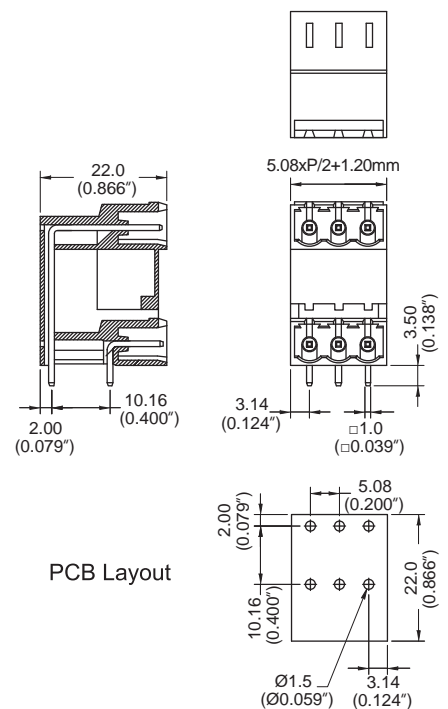
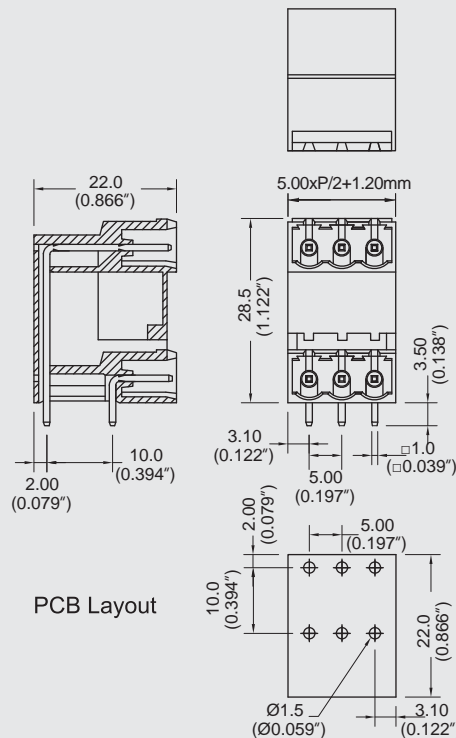


DIMENSIONS/POSITIONS

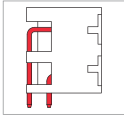
DIMENSIONS/POSITIONS		ME230-500	ME230-508
間距	Pitch	5.00mm	5.08mm
位數	Poles	4 ~ 48Poles	4 ~ 48Poles
塑膠本體	Housing Material	PA 66	PA 66
焊針	Pin Dimensions	Brass, Tin Plated	Brass, Tin Plated
PCB孔徑	PCB Hole Diameter	1.5mm	1.5mm
環境作業溫度	Operating Temperature	-40°C to +105°C	-40°C to +105°C

TECHNICAL DATA

連接符合標準 Connection in acc. with standard EN-VDE			
額定電流 I _n	Nominal Current I _n	12A	12A
額定橫截面	Nominal Cross Section	-	-
最大負載電流	Maximum load current	12A	12A
絕緣材料	Insulating Material	PA	PA
阻燃等級,符合UL94 Inflammability class acc. to UL94		V0	V0
額定電壓,UL/CUL Nominal voltage, UL/CUL		300V	300V
額定電流,UL/CUL Nominal current, UL/CUL		16A	16A



ME233 Male Connector, Double Level Header



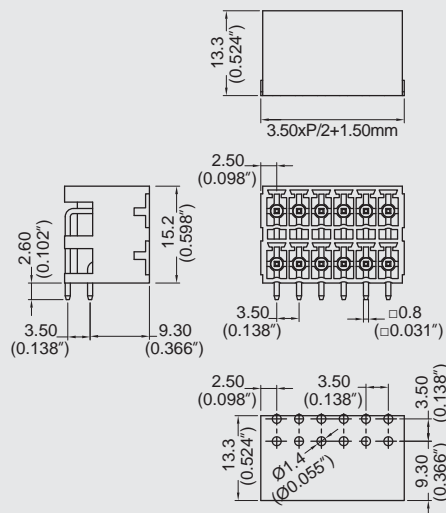
DIMENSIONS/POSITIONS

ME233-350

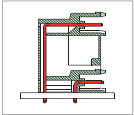
間距	Pitch	3.50mm
位數	Poles	4 ~ 48Poles
塑膠本體	Housing Material	PA 46
焊針	Pin Dimensions	Brass, Solder Pin
PCB孔徑	PCB Hole Diameter	1.4mm
環境作業溫度	Operating Temperature	-40°C to +105°C

TECHNICAL DATA

連接符合標準 Connection in acc. with standard EN-VDE		
額定電流 I _n Nominal Current I _n	8A	
額定橫截面 Nominal Cross Section	-	
最大負載電流 Maximum load current	8A	
絕緣材料 Insulating Material	PA	
阻燃等級,符合UL94 Inflammability class acc. to UL94	V0	
額定電壓,UL/CUL Nominal voltage, UL/CUL	300V	
額定電流,UL/CUL Nominal current, UL/CUL	8A	



ME23L Male Connector, Double Level Header-Modular

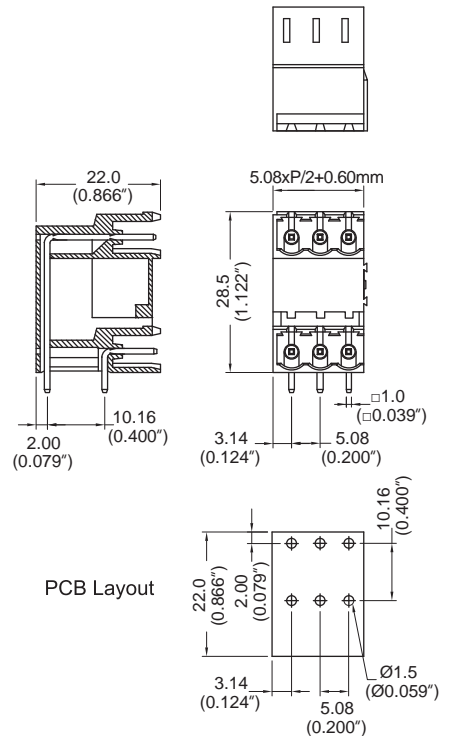
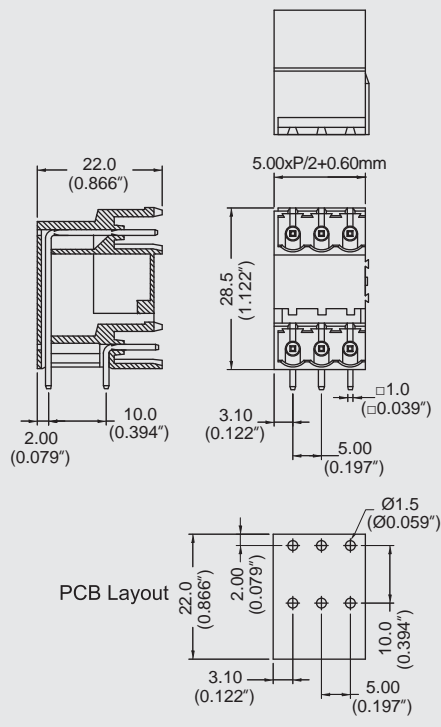


ME

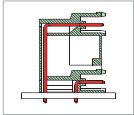
DIMENSIONS/POSITIONS		ME23L-500M	ME23L-508M
間距	Pitch	5.00mm	5.08mm
位數	Poles	4 ~ 6Poles	4 ~ 6Poles
塑膠本體	Housing Material	PA 66	PA 66
焊針	Pin Dimensions	Brass, Tin Plated	Brass, Tin Plated
PCB孔徑	PCB Hole Diameter	1.5mm	1.5mm
環境作業溫度	Operating Temperature	-40°C to +105°C	-40°C to +105°C

TECHNICAL DATA

連接符合標準 Connection in acc. with standard EN-VDE			
額定電流 I _n	Nominal Current I _n	16A	16A
額定橫截面	Nominal Cross Section	-	-
最大負載電流	Maximum load current	16A	16A
絕緣材料	Insulating Material	PA	PA
阻燃等級,符合UL94 Inflammability class acc. to UL94		V0	V0
額定電壓,UL/CUL Nominal voltage, UL/CUL		300V	300V
額定電流,UL/CUL Nominal current, UL/CUL		16A	16A



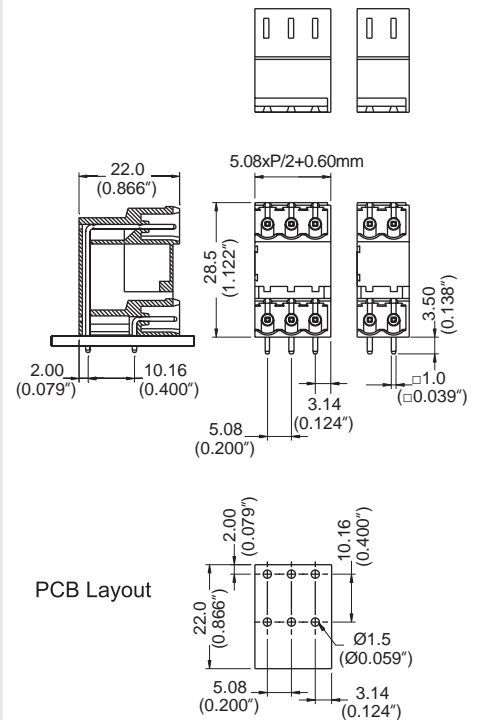
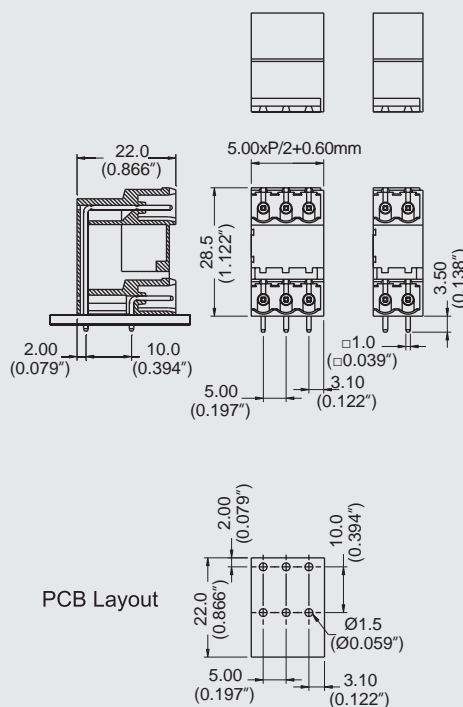
ME23R Male Connector, Double Level Header-Modular



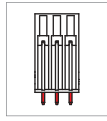
DIMENSIONS/POSITIONS		ME23R-500M	ME23R-508M
間距	Pitch	5.00mm	5.08mm
位數	Poles	4 ~ 6Poles	4 ~ 6Poles
塑膠本體	Housing Material	PA 66	PA 66
焊針	Pin Dimensions	Brass, Tin Plated	Brass, Tin Plated
PCB孔徑	PCB Hole Diameter	1.5mm	1.5mm
環境作業溫度	Operating Temperature	-40°C to +105°C	-40°C to +105°C

TECHNICAL DATA

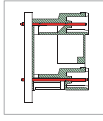
連接符合標準 Connection in acc. with standard EN-VDE			
額定電流 I _n	Nominal Current I _n	16A	16A
額定橫截面	Nominal Cross Section	-	-
最大負載電流	Maximum load current	16A	16A
絕緣材料	Insulating Material	PA	PA
阻燃等級,符合UL94 Inflammability class acc. to UL94		V0	V0
額定電壓,UL/CUL Nominal voltage, UL/CUL		300V	300V
額定電流,UL/CUL Nominal current, UL/CUL		16A	16A



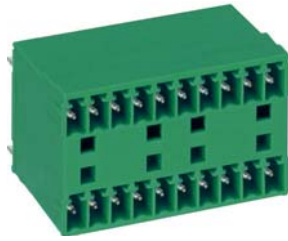
ME240 Male Connector, Double Level Header



ME240-350



ME240-500

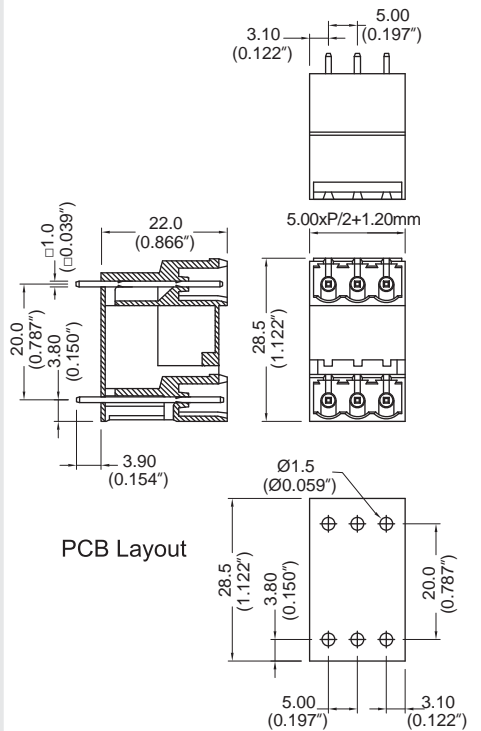
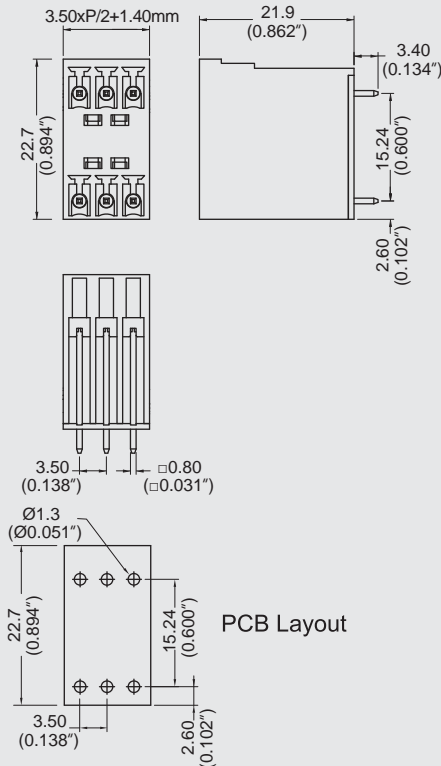


DIMENSIONS/POSITIONS

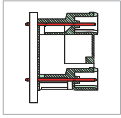
DIMENSIONS/POSITIONS		ME240-350	ME240-500
間距	Pitch	3.50mm	5.00mm
位數	Poles	4 ~ 48Poles	4 ~ 48Poles
塑膠本體	Housing Material	PA 66	PA 66
焊針	Pin Dimensions	Brass, Tin Plated	Brass, Tin Plated
PCB孔徑	PCB Hole Diameter	1.3mm	1.5mm
環境作業溫度	Operating Temperature	-40°C to +105°C	-40°C to +105°C

TECHNICAL DATA

連接符合標準 Connection in acc. with standard EN-VDE			
額定電流 I _n	Nominal Current I _n	10A	12A
額定橫截面	Nominal Cross Section	-	-
最大負載電流	Maximum load current	10A	12A
絕緣材料	Insulating Material	PA	PA
阻燃等級,符合UL94 Inflammability class acc. to UL94		V0	V0
額定電壓,UL/CUL Nominal voltage, UL/CUL		300V	300V
額定電流,UL/CUL Nominal current, UL/CUL		10A	16A



ME240 Male Connector, Double Level Header



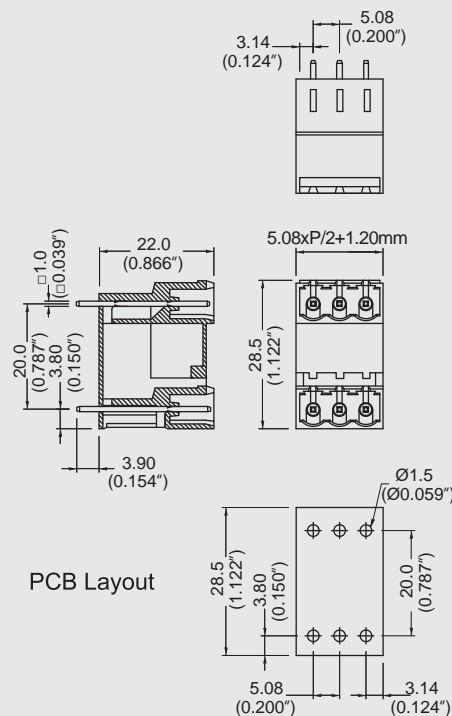
DIMENSIONS/POSITIONS

ME240-508

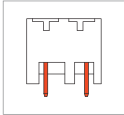
間距	Pitch	5.08mm
位數	Poles	4 ~ 48Poles
塑膠本體	Housing Material	PA 66
焊針	Pin Dimensions	Brass, Tin Plated
PCB孔徑	PCB Hole Diameter	1.5mm
環境作業溫度	Operating Temperature	-40°C to +105°C

TECHNICAL DATA

連接符合標準 Connection in acc. with standard EN-VDE		
額定電流 I _n	Nominal Current I _n	12A
額定橫截面	Nominal Cross Section	-
最大負載電流	Maximum load current	12A
絕緣材料	Insulating Material	PA
阻燃等級,符合UL94 Inflammability class acc. to UL94		V0
額定電壓,UL/CUL Nominal voltage, UL/CUL		300V
額定電流,UL/CUL Nominal current, UL/CUL		16A



ME243 Male Connector, Double Level Header



ME

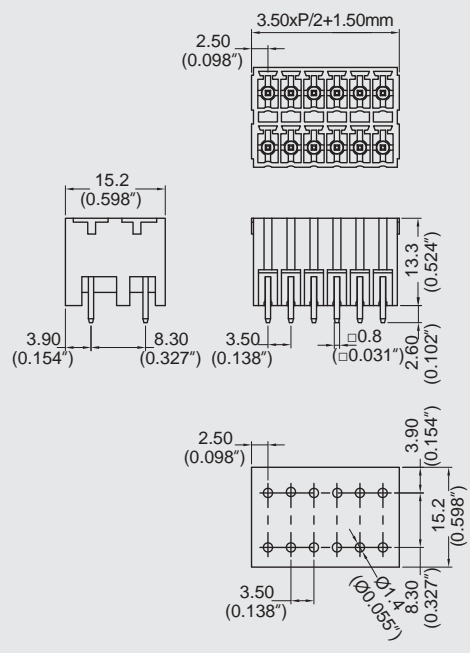
DIMENSIONS/POSITIONS

ME243-350

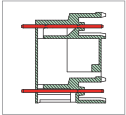
間距	Pitch	3.50mm
位數	Poles	4 ~ 48Poles
塑膠本體	Housing Material	PA 46
焊針	Pin Dimensions	Brass, Solder Pin
PCB孔徑	PCB Hole Diameter	1.4mm
環境作業溫度	Operating Temperature	-40°C to +105°C

TECHNICAL DATA

連接符合標準 Connection in acc. with standard EN-VDE		
額定電流 I _n	Nominal Current I _n	8A
額定橫截面	Nominal Cross Section	-
最大負載電流	Maximum load current	8A
絕緣材料	Insulating Material	PA
阻燃等級,符合UL94 Inflammability class acc. to UL94		V0
額定電壓,UL/CUL Nominal voltage, UL/CUL		300V
額定電流,UL/CUL Nominal current, UL/CUL		8A



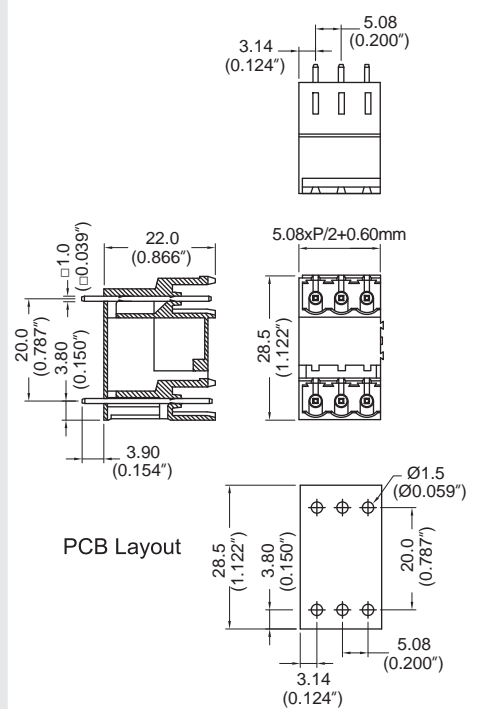
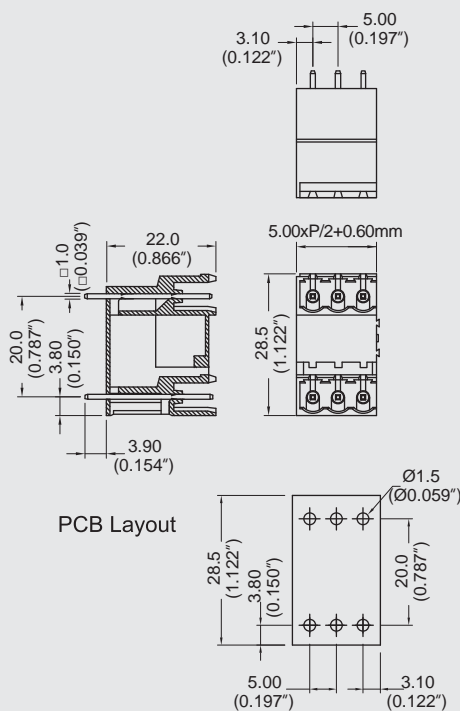
ME24L Male Connector, Double Level Header - Modular



DIMENSIONS/POSITIONS		ME24L-500M	ME24L-508M
間距	Pitch	5.00mm	5.08mm
位數	Poles	4 ~ 6Poles	4 ~ 6Poles
塑膠本體	Housing Material	PA 66	PA 66
焊針	Pin Dimensions	Brass, Tin Plated	Brass, Tin Plated
PCB孔徑	PCB Hole Diameter	1.5mm	1.5mm
環境作業溫度	Operating Temperature	-40°C to +105°C	-40°C to +105°C

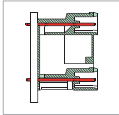
TECHNICAL DATA

連接符合標準 Connection in acc. with standard EN-VDE			
額定電流 I _n	Nominal Current I _n	16A	16A
額定橫截面	Nominal Cross Section	-	-
最大負載電流	Maximum load current	16A	16A
絕緣材料	Insulating Material	PA	PA
阻燃等級,符合UL94 Inflammability class acc. to UL94		V0	V0
額定電壓,UL/CUL Nominal voltage, UL/CUL		300V	300V
額定電流,UL/CUL Nominal current, UL/CUL		16A	16A



ME

ME24R Male Connector, Double Level Header - Modular

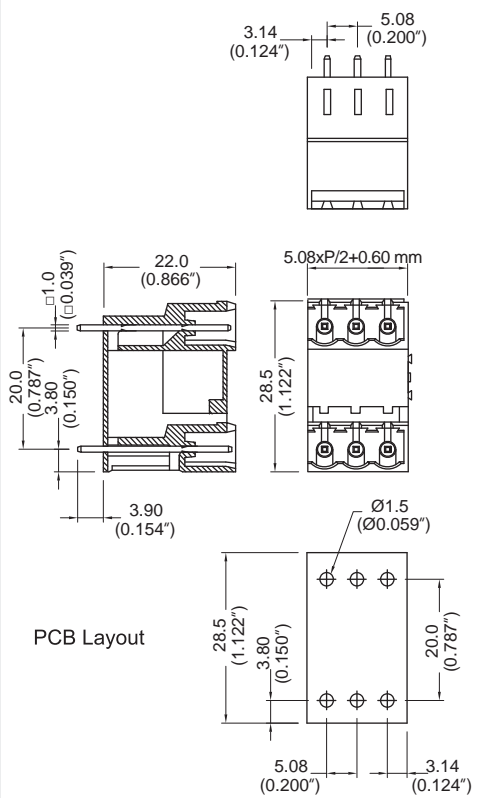
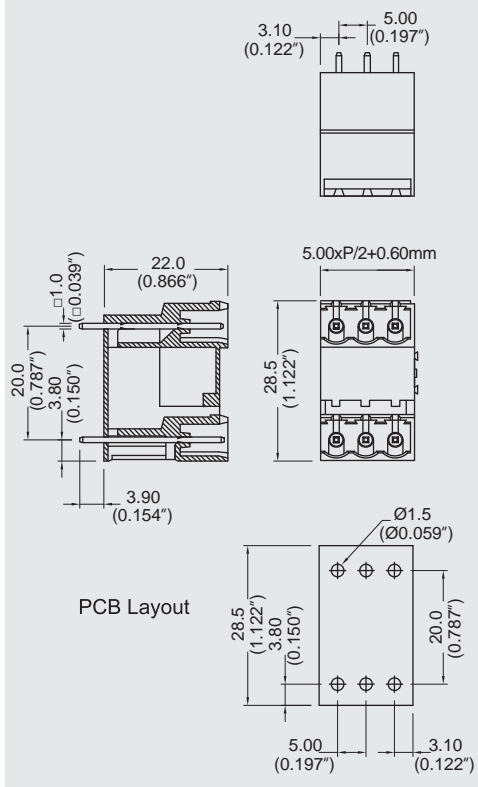


ME

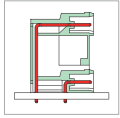
DIMENSIONS/POSITIONS		ME24R-500M	ME24R-508M
間距	Pitch	5.00mm	5.08mm
位數	Poles	4 ~ 6Poles	4 ~ 6Poles
塑膠本體	Housing Material	PA 66	PA 66
焊針	Pin Dimensions	Brass, Tin Plated	Brass, Tin Plated
PCB孔徑	PCB Hole Diameter	1.5mm	1.5mm
環境作業溫度	Operating Temperature	-40°C to +105°C	-40°C to +105°C

TECHNICAL DATA

連接符合標準 Connection in acc. with standard EN-VDE			
額定電流 I _n	Nominal Current I _n	16A	16A
額定橫截面	Nominal Cross Section	-	-
最大負載電流	Maximum load current	16A	16A
絕緣材料	Insulating Material	PA	PA
阻燃等級,符合UL94 Inflammability class acc. to UL94		V0	V0
額定電壓,UL/CUL Nominal voltage, UL/CUL		300V	300V
額定電流,UL/CUL Nominal current, UL/CUL		16A	16A



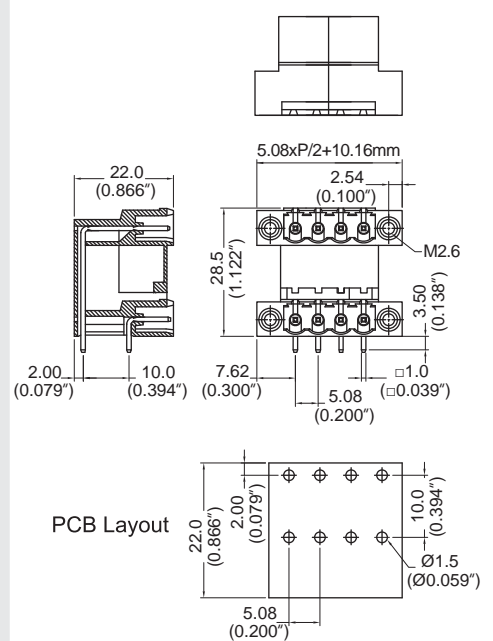
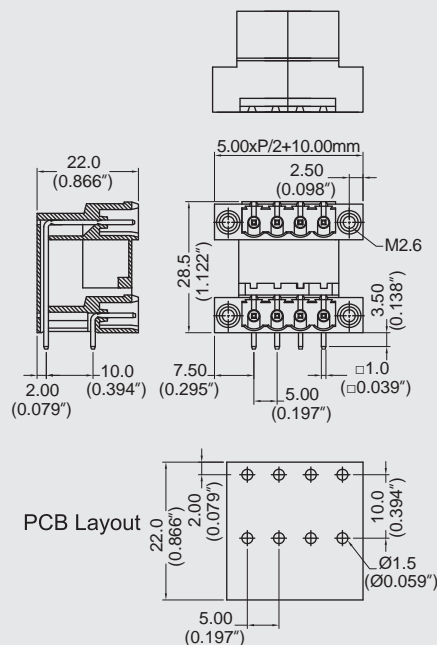
ME250 Male Connector, Double Level Header with Flanges **DECA®**



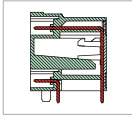
DIMENSIONS/POSITIONS		ME250-500	ME250-508
間距	Pitch	5.00mm	5.08mm
位數	Poles	4 ~ 48Poles	4 ~ 48Poles
塑膠本體	Housing Material	PA 66	PA 66
焊針	Pin Dimensions	Brass, Tin Plated	Brass, Tin Plated
PCB孔徑	PCB Hole Diameter	1.5mm	1.5mm
環境作業溫度	Operating Temperature	-40°C to +105°C	-40°C to +105°C

TECHNICAL DATA

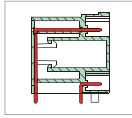
連接符合標準 Connection in acc. with standard EN-VDE			
額定電流 I _n	Nominal Current I _n	12A	12A
額定橫截面	Nominal Cross Section	-	-
最大負載電流	Maximum load current	12A	12A
絕緣材料	Insulating Material	PA	PA
阻燃等級,符合UL94 Inflammability class acc. to UL94		V0	V0
額定電壓,UL/CUL Nominal voltage, UL/CUL		300V	300V
額定電流,UL/CUL Nominal current, UL/CUL		16A	16A



ME252 Male Connector, Double Level Header with Flanges **DECA®**



ME252-350



ME252-381



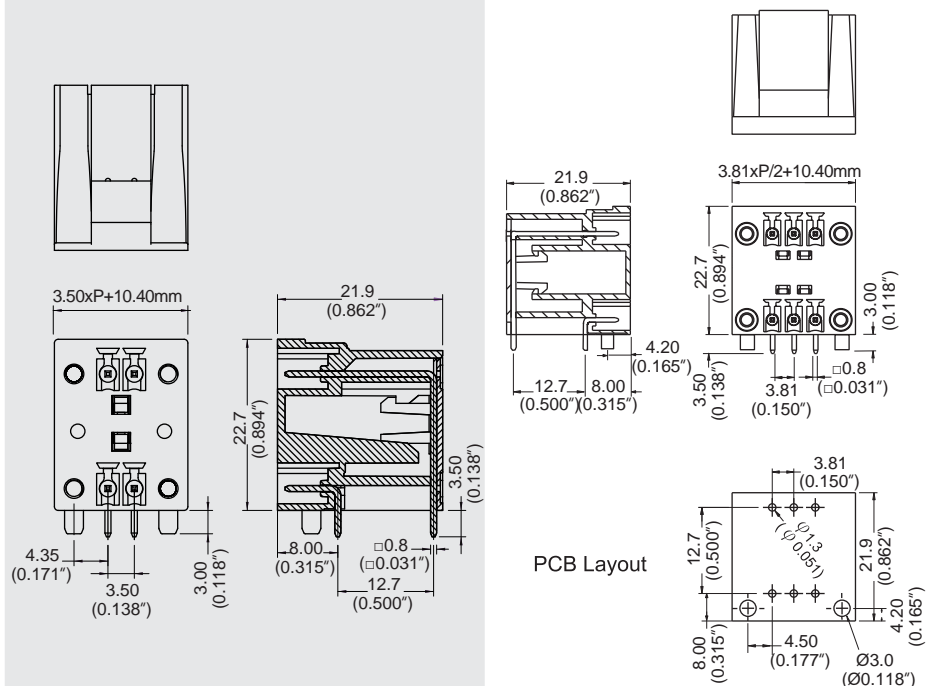
ME

DIMENSIONS/POSITIONS

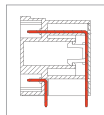
DIMENSIONS/POSITIONS		ME252-350	ME252-381
間距	Pitch	3.50mm	3.81mm
位數	Poles	4 ~ 40Poles	4 ~ 40Poles
塑膠本體	Housing Material	PA 66	PA 66
焊針	Pin Dimensions	Brass, Tin Plated	Brass, Tin Plated
PCB孔徑	PCB Hole Diameter	1.3mm	1.3mm
環境作業溫度	Operating Temperature	-40°C to +120°C	-40°C to +120°C

TECHNICAL DATA

連接符合標準 Connection in acc. with standard EN-VDE			
額定電流 I _n	Nominal Current I _n	10A	10A
額定橫截面	Nominal Cross Section	-	-
最大負載電流	Maximum load current	10A	10A
絕緣材料	Insulating Material	PA	PA
阻燃等級,符合UL94 Inflammability class acc. to UL94		V0	V0
額定電壓,UL/CUL Nominal voltage, UL/CUL		300V	300V
額定電流,UL/CUL Nominal current, UL/CUL		10A	10A



ME256 Male Connector, Double Level Header with Flanges **DECA®**



ME

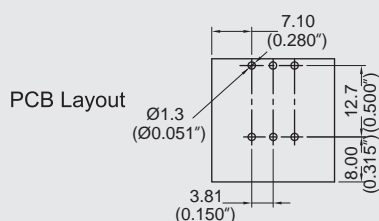
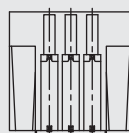
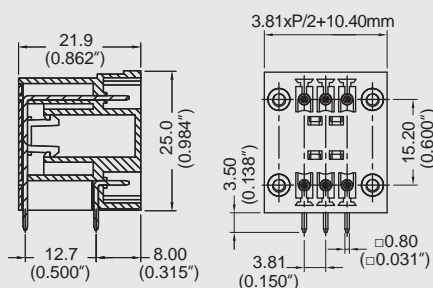
DIMENSIONS/POSITIONS

ME256-381

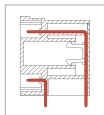
間距	Pitch	3.81mm
位數	Poles	4 ~ 40Poles
塑膠本體	Housing Material	PBT
焊針	Pin Dimensions	Brass, Tin Plated
PCB孔徑	PCB Hole Diameter	1.3mm
環境作業溫度	Operating Temperature	-40°C to +120°C

TECHNICAL DATA

連接符合標準 Connection in acc. with standard EN-VDE		
額定電流 I _n	Nominal Current I _n	10A
額定橫截面	Nominal Cross Section	-
最大負載電流	Maximum load current	10A
絕緣材料	Insulating Material	PBT
阻燃等級,符合UL94 Inflammability class acc. to UL94		V0
額定電壓,UL/CUL Nominal voltage, UL/CUL		300V
額定電流,UL/CUL Nominal current, UL/CUL		10A



ME257 Male Connector, Double Level Header



ME

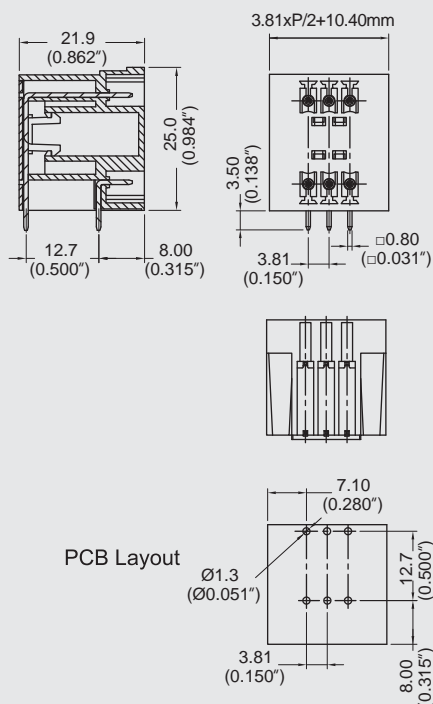
DIMENSIONS/POSITIONS

ME257-381

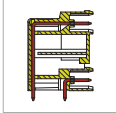
間距	Pitch	3.81mm
位數	Poles	4 ~ 40Poles
塑膠本體	Housing Material	PBT
焊針	Pin Dimensions	Brass, Tin Plated
PCB孔徑	PCB Hole Diameter	1.3mm
環境作業溫度	Operating Temperature	-40°C to +105°C

TECHNICAL DATA

連接符合標準 Connection in acc. with standard EN-VDE		
額定電流 I _n	Nominal Current I _n	10A
額定橫截面	Nominal Cross Section	-
最大負載電流	Maximum load current	10A
絕緣材料	Insulating Material	PBT
阻燃等級,符合UL94 Inflammability class acc. to UL94		V0
額定電壓,UL/CUL Nominal voltage, UL/CUL		300V
額定電流,UL/CUL Nominal current, UL/CUL		10A



ME25L Male Connector, Double Level Header with Flanges **DECA®**



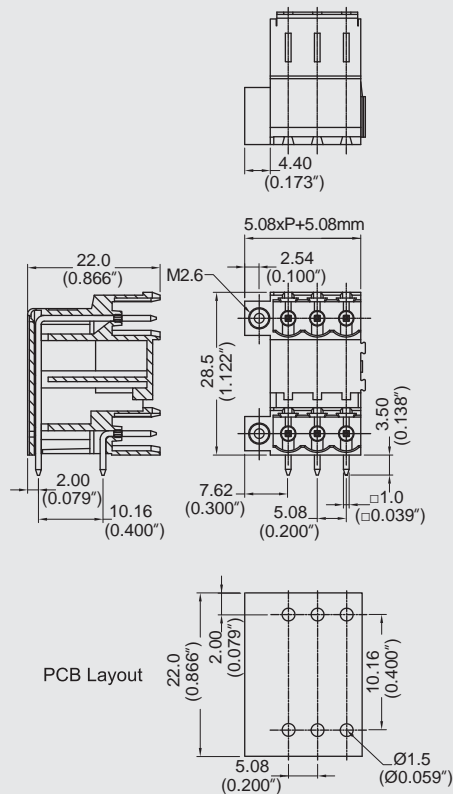
DIMENSIONS/POSITIONS

ME25L-508M

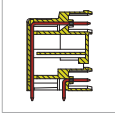
間距	Pitch	5.08mm
位數	Poles	2 / 3Poles
塑膠本體	Housing Material	PA 66
焊針	Pin Dimensions	Brass, Tin Plated
PCB孔徑	PCB Hole Diameter	1.5mm
環境作業溫度	Operating Temperature	-40°C to +105°C

TECHNICAL DATA

連接符合標準 Connection in acc. with standard EN-VDE		
額定電流 I _n	Nominal Current I _n	12A
額定橫截面	Nominal Cross Section	-
最大負載電流	Maximum load current	12A
絕緣材料	Insulating Material	PA
阻燃等級,符合UL94 Inflammability class acc. to UL94		V0
額定電壓,UL/CUL Nominal voltage, UL/CUL		300V
額定電流,UL/CUL Nominal current, UL/CUL		12A



ME25R Male Connector, Double Level Header with Flanges **DECA**[®]



ME

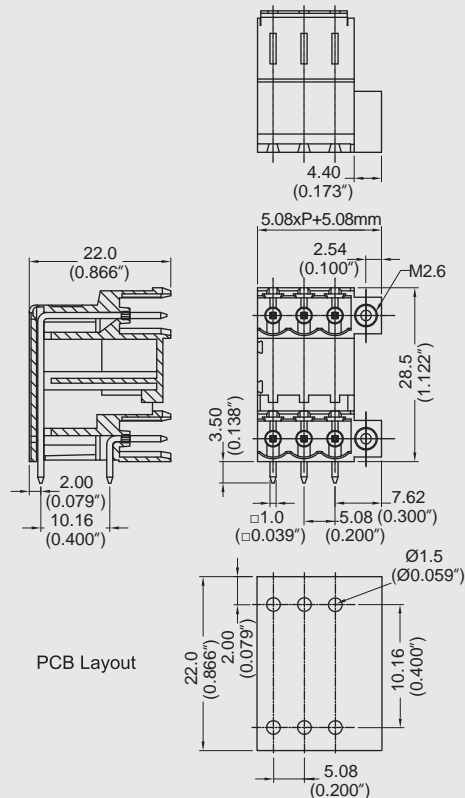
DIMENSIONS/POSITIONS

ME25R-508M

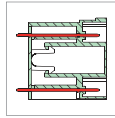
間距	Pitch	5.08mm
位數	Poles	2 / 3Poles
塑膠本體	Housing Material	PA 66
焊針	Pin Dimensions	Brass, Tin Plated
PCB孔徑	PCB Hole Diameter	1.5mm
環境作業溫度	Operating Temperature	-40°C to +105°C

TECHNICAL DATA

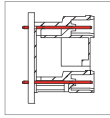
連接符合標準 Connection in acc. with standard EN-VDE		
額定電流 I _n	Nominal Current I _n	12A
額定橫截面	Nominal Cross Section	-
最大負載電流	Maximum load current	12A
絕緣材料	Insulating Material	PA
阻燃等級,符合UL94 Inflammability class acc. to UL94		V0
額定電壓,UL/CUL Nominal voltage, UL/CUL		300V
額定電流,UL/CUL Nominal current, UL/CUL		12A



ME260 Male Connector, Double Level Header with Flanges **DECA®**



ME260-381



ME260-500

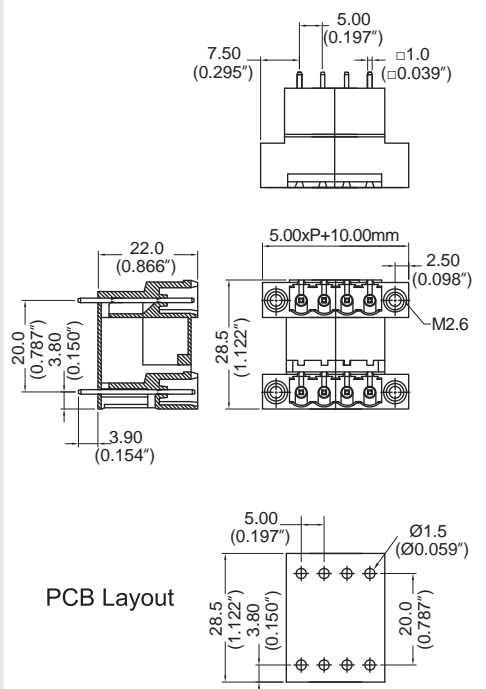
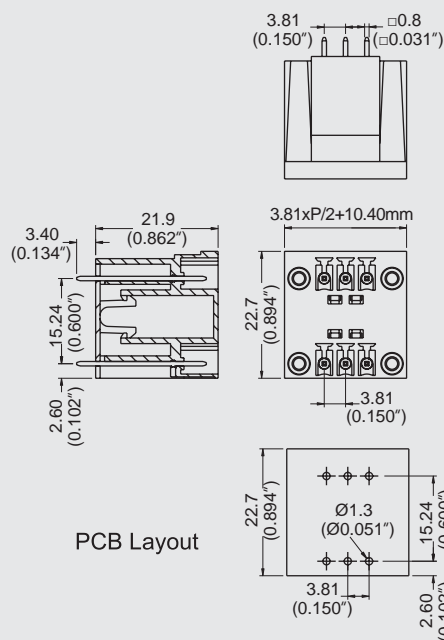


DIMENSIONS/POSITIONS

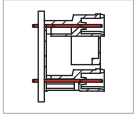
DIMENSIONS/POSITIONS		ME260-381	ME260-500
間距	Pitch	3.81mm	5.00mm
位數	Poles	4 ~ 32Poles	4 ~ 48Poles
塑膠本體	Housing Material	PBT	PA 66
焊針	Pin Dimensions	Brass, Tin Plated	Brass, Tin Plated
PCB孔徑	PCB Hole Diameter	1.3mm	1.5mm
環境作業溫度	Operating Temperature	-40°C to +105°C	-40°C to +105°C

TECHNICAL DATA

連接符合標準 Connection in acc. with standard EN-VDE			
額定電流 I _N	Nominal Current I _N	10A	12A
額定橫截面	Nominal Cross Section	-	-
最大負載電流	Maximum load current	10A	12A
絕緣材料	Insulating Material	PBT	PA
阻燃等級,符合UL94 Inflammability class acc. to UL94		V0	V0
額定電壓,UL/CUL Nominal voltage, UL/CUL		300V	300V
額定電流,UL/CUL Nominal current, UL/CUL		10A	16A



ME260 Male Connector, Double Level Header with Flanges **DECA®**



ME

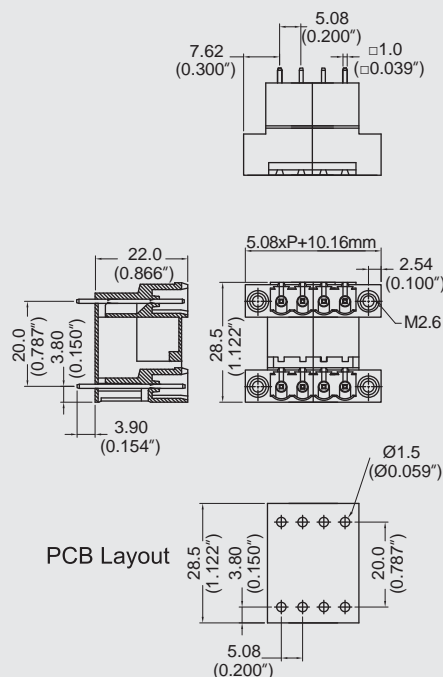
DIMENSIONS/POSITIONS

ME260-508

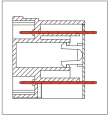
間距	Pitch	5.08mm
位數	Poles	4 ~ 48Poles
塑膠本體	Housing Material	PA 66
焊針	Pin Dimensions	Brass, Tin Plated
PCB孔徑	PCB Hole Diameter	1.5mm
環境作業溫度	Operating Temperature	-40°C to +105°C

TECHNICAL DATA

連接符合標準 Connection in acc. with standard EN-VDE		
額定電流 I _n	Nominal Current I _n	12A
額定橫截面	Nominal Cross Section	-
最大負載電流	Maximum load current	12A
絕緣材料	Insulating Material	PA
阻燃等級,符合UL94 Inflammability class acc. to UL94		V0
額定電壓,UL/CUL Nominal voltage, UL/CUL		300V
額定電流,UL/CUL Nominal current, UL/CUL		16A



ME267 Male Connector, Double Level Header



ME

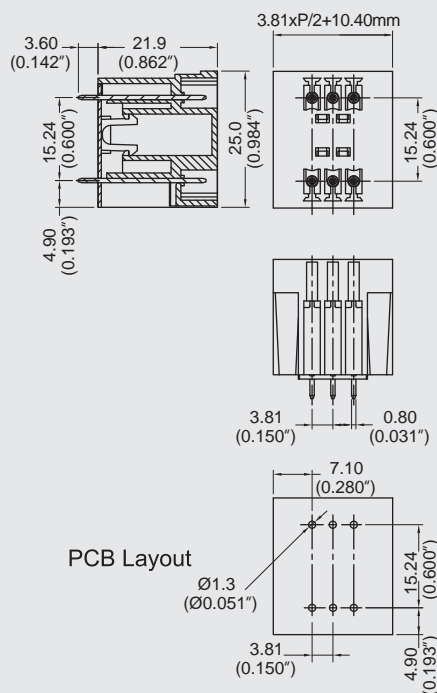
DIMENSIONS/POSITIONS

ME267-381

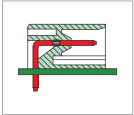
間距	Pitch	3.81mm
位數	Poles	4 ~ 40Poles
塑膠本體	Housing Material	PBT
焊針	Pin Dimensions	Brass, Tin Plated
PCB孔徑	PCB Hole Diameter	1.3mm
環境作業溫度	Operating Temperature	-40°C to +120°C

TECHNICAL DATA

連接符合標準 Connection in acc. with standard EN-VDE		
額定電流 I _n	Nominal Current I _n	10A
額定橫截面	Nominal Cross Section	-
最大負載電流	Maximum load current	10A
絕緣材料	Insulating Material	PBT
阻燃等級,符合UL94 Inflammability class acc. to UL94		V0
額定電壓,UL/CUL Nominal voltage, UL/CUL		300V
額定電流,UL/CUL Nominal current, UL/CUL		10A



ME411 Connector, Closed Ends Header



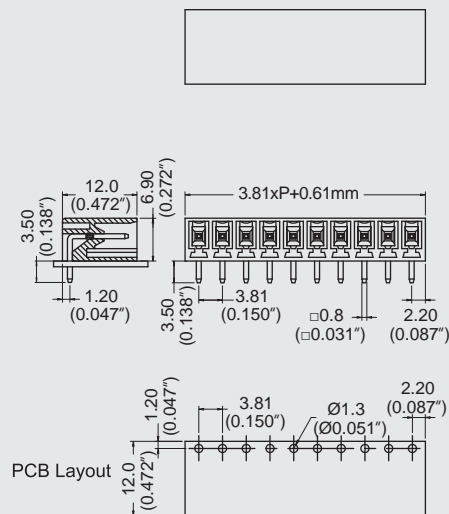
DIMENSIONS/POSITIONS

ME411-381

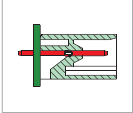
間距	Pitch	3.81mm
位數	Poles	2 ~ 24Poles
塑膠本體	Housing Material	PA 66
焊針	Pin Dimensions	Brass, Tin Plated
PCB孔徑	PCB Hole Diameter	1.3mm
環境作業溫度	Operating Temperature	-40°C to +105°C

TECHNICAL DATA

連接符合標準 Connection in acc. with standard EN-VDE		
額定電流 I _n Nominal Current I _n	12A	
額定橫截面 Nominal Cross Section	-	
最大負載電流 Maximum load current	12A	
絕緣材料 Insulating Material	PA	
阻燃等級,符合UL94 Inflammability class acc. to UL94	V0	
額定電壓,UL/CUL Nominal voltage, UL/CUL	300V	
額定電流,UL/CUL Nominal current, UL/CUL	12A	



ME421 Connector, Closed Ends Header



ME

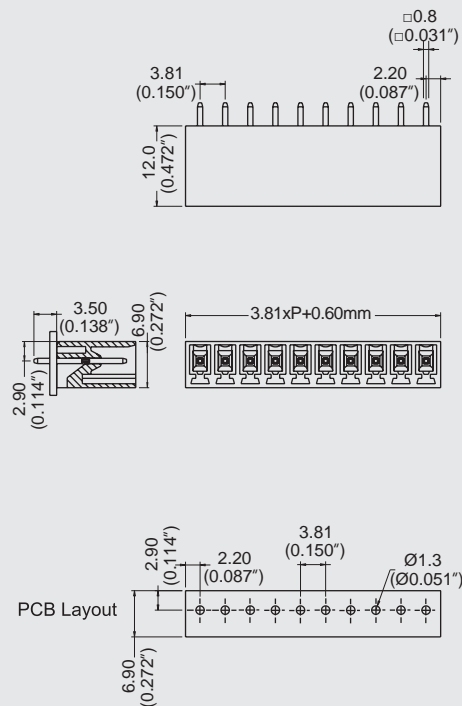
DIMENSIONS/POSITIONS

ME421-381

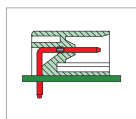
間距	Pitch	3.81mm
位數	Poles	2 ~ 24Poles
塑膠本體	Housing Material	PA 66
焊針	Pin Dimensions	Brass, Tin Plated
PCB孔徑	PCB Hole Diameter	1.3mm
環境作業溫度	Operating Temperature	-40°C to +105°C

TECHNICAL DATA

連接符合標準	Connection in acc. with standard EN-VDE	
額定電流 I _n	Nominal Current I _n	12A
額定橫截面	Nominal Cross Section	-
最大負載電流	Maximum load current	12A
絕緣材料	Insulating Material	PA
阻燃等級,符合UL94	Inflammability class acc. to UL94	
		V0
額定電壓,UL/CUL	Nominal voltage, UL/CUL	
		300V
額定電流,UL/CUL	Nominal current, UL/CUL	
		12A



ME430 Connector, Closed Ends Header



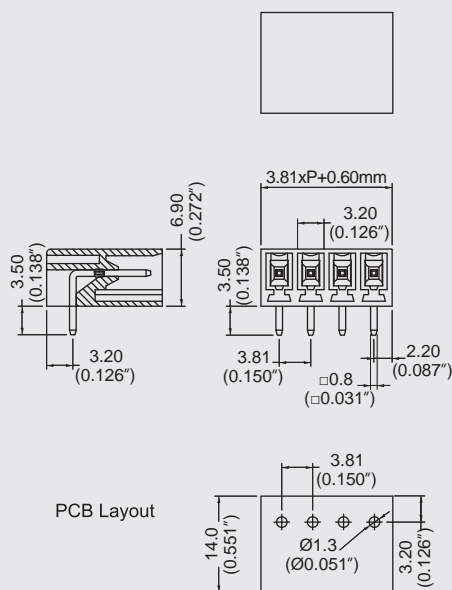
DIMENSIONS/POSITIONS

ME430-381

間距	Pitch	3.81mm
位數	Poles	2 ~ 20Poles
塑膠本體	Housing Material	PBT
焊針	Pin Dimensions	Brass, Tin Plated
PCB孔徑	PCB Hole Diameter	1.3mm
環境作業溫度	Operating Temperature	-40°C to +120°C

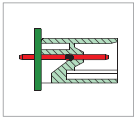
TECHNICAL DATA

連接符合標準 Connection in acc. with standard EN-VDE		
額定電流 I _n Nominal Current I _n		12A
額定橫截面 Nominal Cross Section		-
最大負載電流 Maximum load current		12A
絕緣材料 Insulating Material		PBT
阻燃等級,符合UL94 Inflammability class acc. to UL94		V0
額定電壓,UL/CUL Nominal voltage, UL/CUL		300V
額定電流,UL/CUL Nominal current, UL/CUL		12A



ME

ME440 Connector, Closed Ends Header



ME

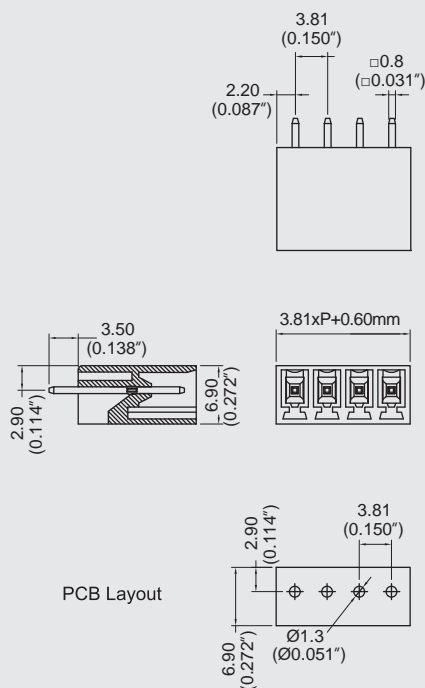
DIMENSIONS/POSITIONS

ME440-381

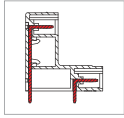
間距	Pitch	3.81mm
位數	Poles	2 ~ 22Poles
塑膠本體	Housing Material	PBT
焊針	Pin Dimensions	Brass, Tin Plated
PCB孔徑	PCB Hole Diameter	1.3mm
環境作業溫度	Operating Temperature	-40°C to +120°C

TECHNICAL DATA

連接符合標準 Connection in acc. with standard EN-VDE		
額定電流 I _n	Nominal Current I _n	12A
額定橫截面	Nominal Cross Section	-
最大負載電流	Maximum load current	12A
絕緣材料	Insulating Material	PBT
阻燃等級,符合UL94 Inflammability class acc. to UL94		V0
額定電壓,UL/CUL Nominal voltage, UL/CUL		300V
額定電流,UL/CUL Nominal current, UL/CUL		12A



ME530 Male Connector

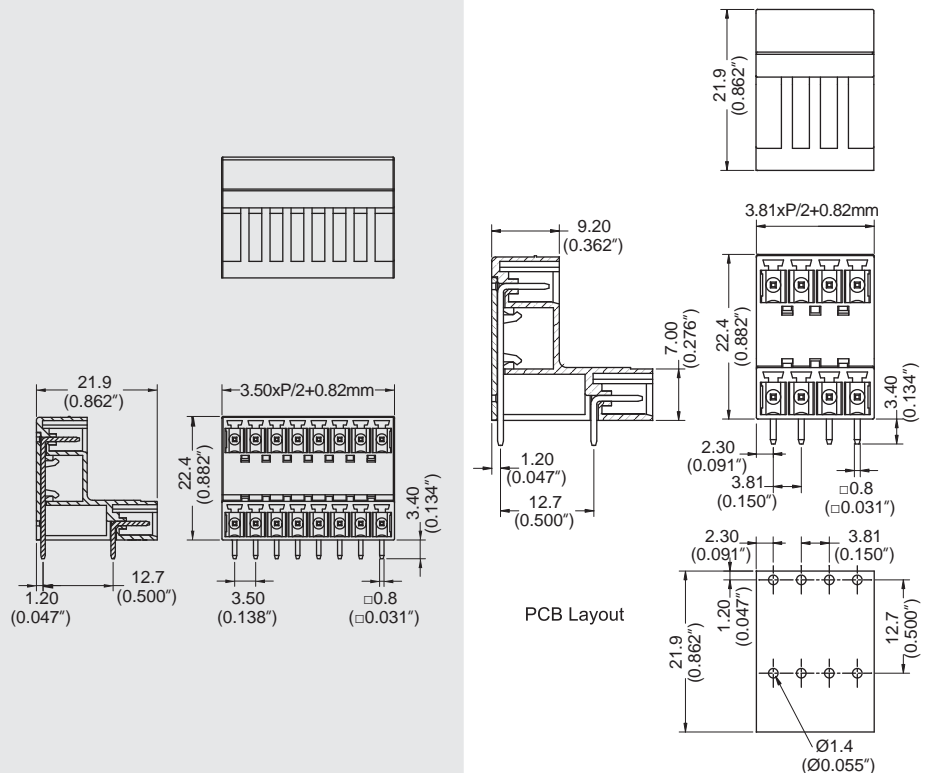


DIMENSIONS/POSITIONS

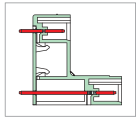
DIMENSIONS/POSITIONS		ME530-350	ME530-381
間距	Pitch	3.50mm	3.81mm
位數	Poles	4 ~ 40Poles	4 ~ 40Poles
塑膠本體	Housing Material	PA 66	PA 66
焊針	Pin Dimensions	Brass, Tin Plated	Brass, Tin Plated
PCB孔徑	PCB Hole Diameter	1.4mm	1.4mm
環境作業溫度	Operating Temperature	-40°C to +105°C	-40°C to +105°C

TECHNICAL DATA

連接符合標準 Connection in acc. with standard EN-VDE			
額定電流 I _n	Nominal Current I _n	8A	7A
額定橫截面	Nominal Cross Section	-	-
最大負載電流	Maximum load current	8A	7A
絕緣材料	Insulating Material	PA	PA
阻燃等級,符合UL94 Inflammability class acc. to UL94		V0	V0
額定電壓,UL/CUL Nominal voltage, UL/CUL		300V	300V
額定電流,UL/CUL Nominal current, UL/CUL		8A	10A



ME540 Male Connector



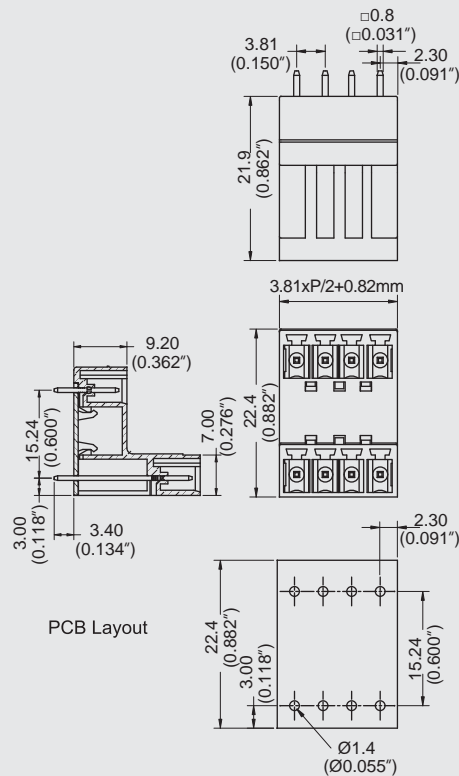
DIMENSIONS/POSITIONS

ME540-381

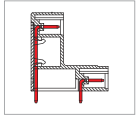
間距	Pitch	3.81mm
位數	Poles	4 ~ 40Poles
塑膠本體	Housing Material	PA 66
焊針	Pin Dimensions	Brass, Tin Plated
PCB孔徑	PCB Hole Diameter	1.4mm
環境作業溫度	Operating Temperature	-40°C to +105°C

TECHNICAL DATA

連接符合標準 Connection in acc. with standard EN-VDE		
額定電流 I _n Nominal Current I _n		7A
額定橫截面 Nominal Cross Section		-
最大負載電流 Maximum load current		7A
絕緣材料 Insulating Material		PA
阻燃等級,符合UL94 Inflammability class acc. to UL94		V0
額定電壓,UL/CUL Nominal voltage, UL/CUL		300V
額定電流,UL/CUL Nominal current, UL/CUL		10A



ME550 Male Connector

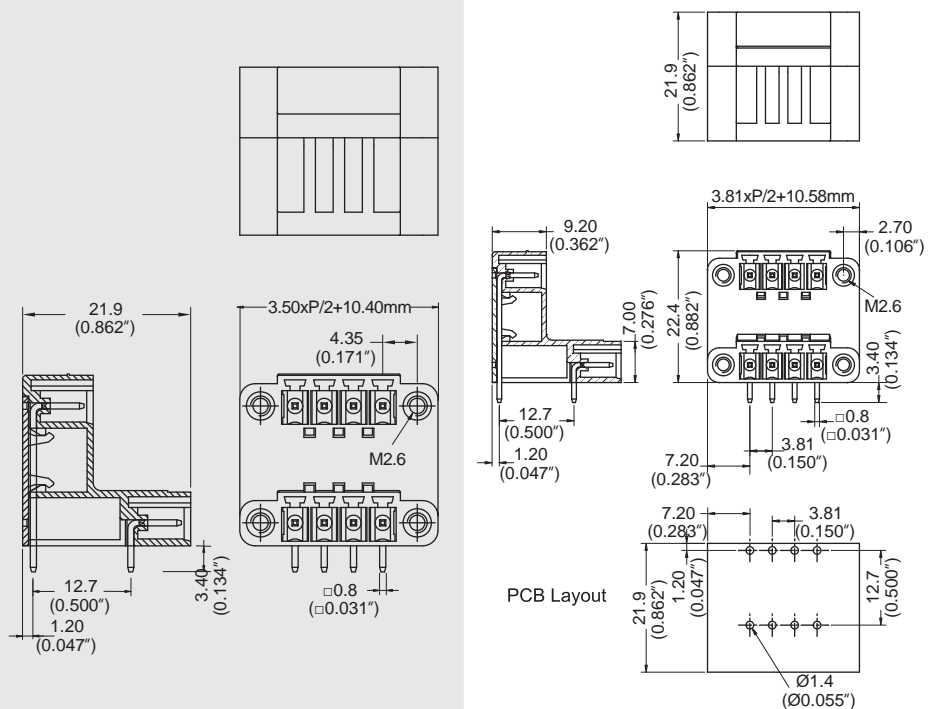


DIMENSIONS/POSITIONS

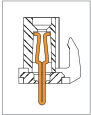
DIMENSIONS/POSITIONS		ME550-350	ME550-381
間距	Pitch	3.50mm	3.81mm
位數	Poles	4 ~ 40Poles	4 ~ 40Poles
塑膠本體	Housing Material	PA 66	PA 66
焊針	Pin Dimensions	Brass, Tin Plated	Brass, Tin Plated
PCB孔徑	PCB Hole Diameter	1.4mm	1.4mm
環境作業溫度	Operating Temperature	-40°C to +105°C	-40°C to +105°C

TECHNICAL DATA

連接符合標準 Connection in acc. with standard EN-VDE			
額定電流 I _n	Nominal Current I _n	7A	7A
額定橫截面	Nominal Cross Section	-	-
最大負載電流	Maximum load current	7A	7A
絕緣材料	Insulating Material	PA	PA
阻燃等級,符合UL94 Inflammability class acc. to UL94		V0	V0
額定電壓,UL/CUL Nominal voltage, UL/CUL		300V	300V
額定電流,UL/CUL Nominal current, UL/CUL		8A	10A



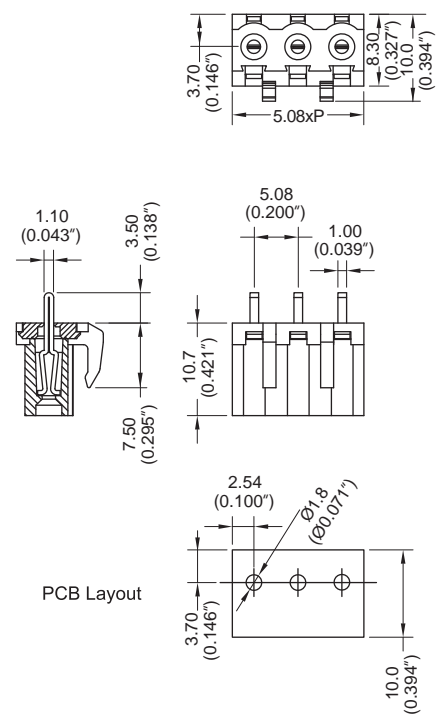
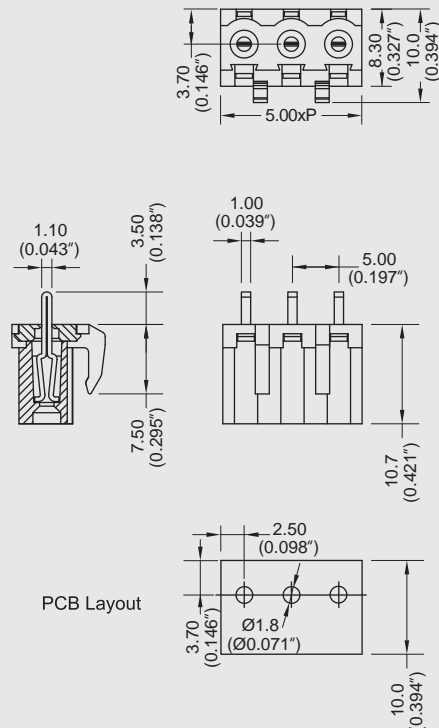
MF100 Connector



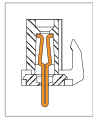
DIMENSIONS/POSITIONS		MF100-500	MF100-508
間距	Pitch	5.00mm	5.08mm
位數	Poles	2 ~ 24Poles	2 ~ 24Poles
塑膠本體	Housing Material	PA 66	PA 66
焊針	Pin Dimensions	Phosphor Bronze, Tin Plated	Phosphor Bronze, Tin Plated
PCB孔徑	PCB Hole Diameter	1.8mm	1.8mm
環境作業溫度	Operating Temperature	-40°C to +105°C	-40°C to +105°C

TECHNICAL DATA

連接符合標準 Connection in acc. with standard EN-VDE			
額定電流 I _n	Nominal Current I _n	16A	10A
額定橫截面	Nominal Cross Section	-	-
最大負載電流	Maximum load current	16A	10A
絕緣材料	Insulating Material	PA	PA
阻燃等級,符合UL94 Inflammability class acc. to UL94		V0	V0
額定電壓,UL/CUL Nominal voltage, UL/CUL		300V	300V
額定電流,UL/CUL Nominal current, UL/CUL		16A	10A



MF101 Connector

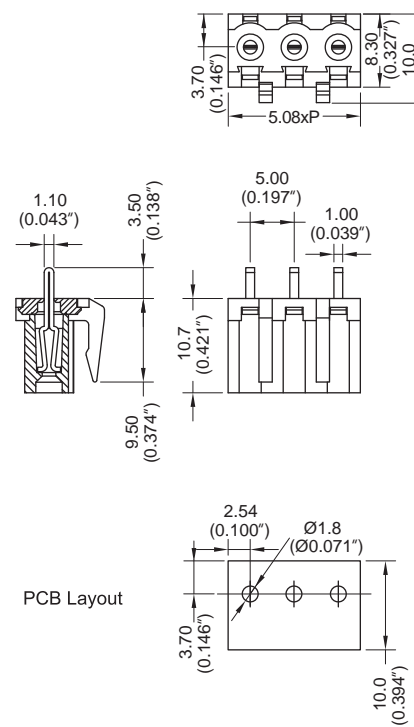
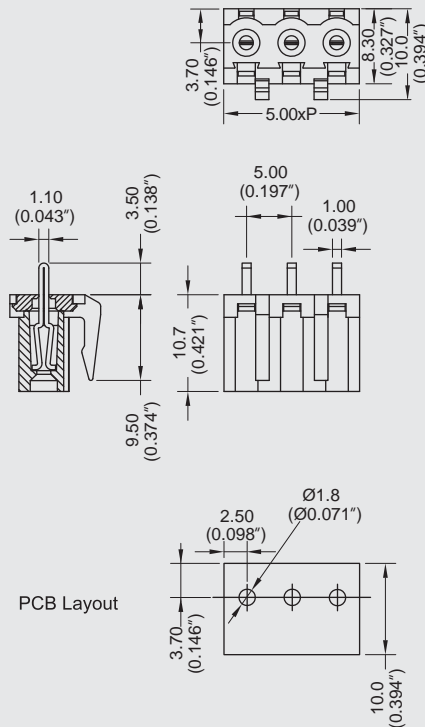


DIMENSIONS/POSITIONS

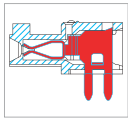
DIMENSIONS/POSITIONS		MF101-500	MF101-508
間距	Pitch	5.00mm	5.08mm
位數	Poles	2 ~ 24Poles	2 ~ 24Poles
塑膠本體	Housing Material	PA 66	PA 66
焊針	Pin Dimensions	Phosphor Bronze, Tin Plated	Phosphor Bronze, Tin Plated
PCB孔徑	PCB Hole Diameter	1.8mm	1.8mm
環境作業溫度	Operating Temperature	-40°C to +105°C	-40°C to +105°C

TECHNICAL DATA

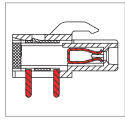
連接符合標準 Connection in acc. with standard EN-VDE			
額定電流 I _n	Nominal Current I _n	16A	10A
額定橫截面	Nominal Cross Section	-	-
最大負載電流	Maximum load current	16A	10A
絕緣材料	Insulating Material	PA	PA
阻燃等級,符合UL94 Inflammability class acc. to UL94		V0	V0
額定電壓,UL/CUL Nominal voltage, UL/CUL		300V	300V
額定電流,UL/CUL Nominal current, UL/CUL		16A	10A



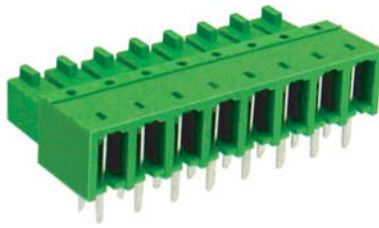
MF203 Connector



ME203-381



ME203-508

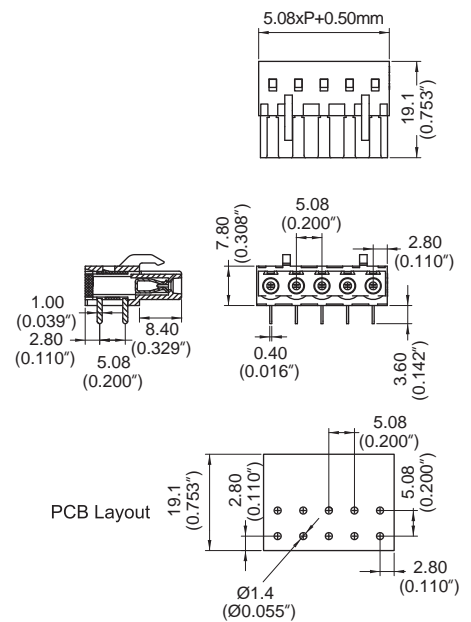
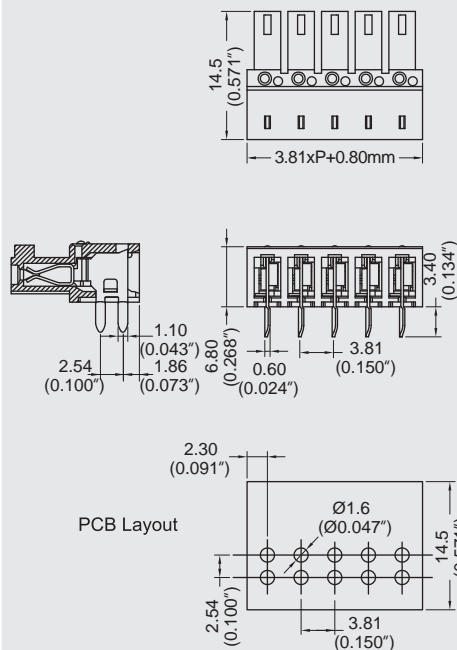


DIMENSIONS/POSITIONS

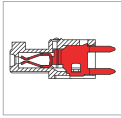
DIMENSIONS/POSITIONS		MF203-381	MF203-508
間距	Pitch	3.81mm	5.08mm
位數	Poles	2 ~ 24Poles	2 ~ 24Poles
塑膠本體	Housing Material	PA 66	PA 66
夾片	Wire Protector	Phosphor Bronze, Tin Plated	Phosphor Bronze, Tin Plated
PCB孔徑	PCB Hole Diameter	1.6mm	1.4mm
環境作業溫度	Operating Temperature	-40°C to +105°C	-40°C to +105°C

TECHNICAL DATA

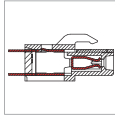
連接符合標準 Connection in acc. with standard EN-VDE			
額定電流 I _N	Nominal Current I _N	7A	11A
額定橫截面	Nominal Cross Section	-	-
最大負載電流	Maximum load current	7A	11A
絕緣材料	Insulating Material	PA	PA
阻燃等級,符合UL94 Inflammability class acc. to UL94		V0	V0
額定電壓,UL/CUL Nominal voltage, UL/CUL		300V	300V
額定電流,UL/CUL Nominal current, UL/CUL		7A	11A



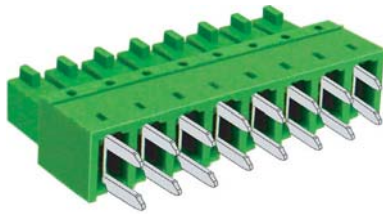
MF204 Connector



ME204-381



ME204-508

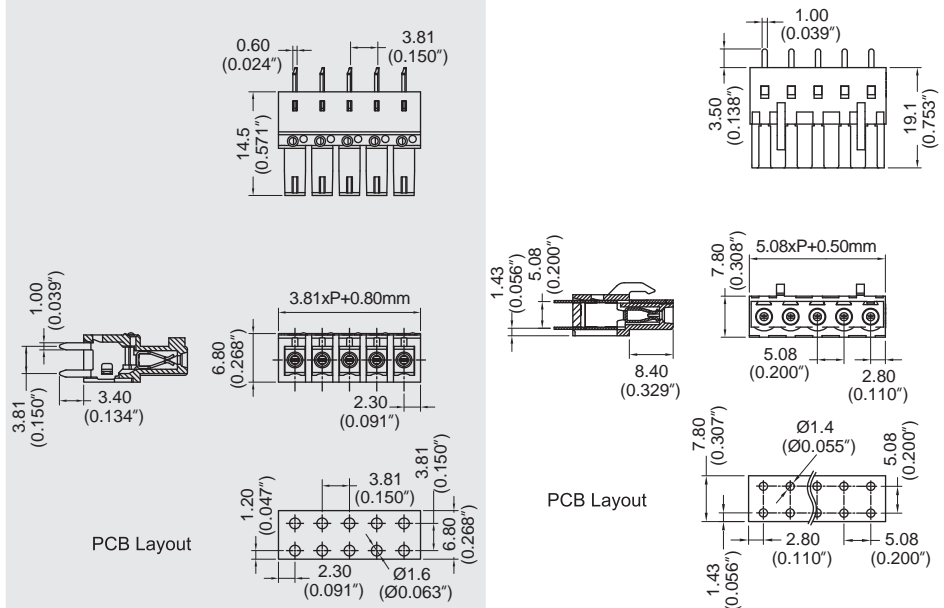


DIMENSIONS/POSITIONS

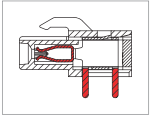
DIMENSIONS/POSITIONS		MF204-381	MF204-508
間距	Pitch	3.81mm	5.08mm
位數	Poles	2 ~ 24Poles	2 ~ 24Poles
塑膠本體	Housing Material	PA 66	PA 66
夾片	Wire Protector	Phosphor Bronze, Tin Plated	Phosphor Bronze, Tin Plated
PCB孔徑	PCB Hole Diameter	1.6mm	1.4mm
環境作業溫度	Operating Temperature	-40°C to +105°C	-40°C to +105°C

TECHNICAL DATA

連接符合標準 Connection in acc. with standard EN-VDE			
額定電流 I _n	Nominal Current I _n	7A	11A
額定橫截面	Nominal Cross Section	-	-
最大負載電流	Maximum load current	7A	11A
絕緣材料	Insulating Material	PA	PA
阻燃等級,符合UL94 Inflammability class acc. to UL94		V0	V0
額定電壓,UL/CUL Nominal voltage, UL/CUL		300V	300V
額定電流,UL/CUL Nominal current, UL/CUL		7A	11A



MF205 Connector



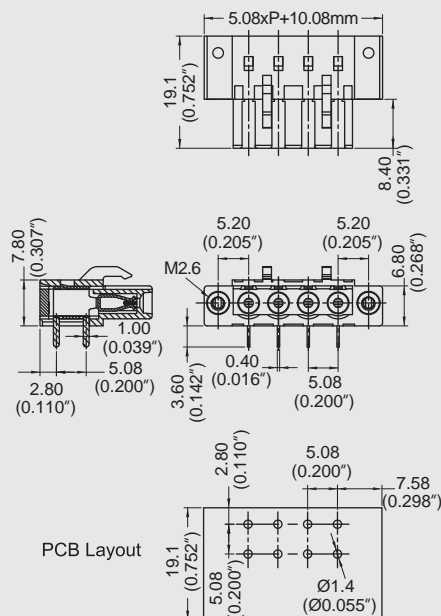
DIMENSIONS/POSITIONS

MF205-508

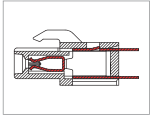
間距	Pitch	5.08mm
位數	Poles	2 ~ 24Poles
塑膠本體	Housing Material	PA 66
夾片	Wire Protector	Phosphor Bronze, Tin Plated
PCB孔徑	PCB Hole Diameter	1.4mm
環境作業溫度	Operating Temperature	-40°C to +105°C

TECHNICAL DATA

連接符合標準 Connection in acc. with standard EN-VDE		
額定電流 I _n Nominal Current I _n		11A
額定橫截面 Nominal Cross Section		-
最大負載電流 Maximum load current		11A
絕緣材料 Insulating Material		PA
阻燃等級,符合UL94 Inflammability class acc. to UL94		V0
額定電壓,UL/CUL Nominal voltage, UL/CUL		300V
額定電流,UL/CUL Nominal current, UL/CUL		11A



MF206 Connector



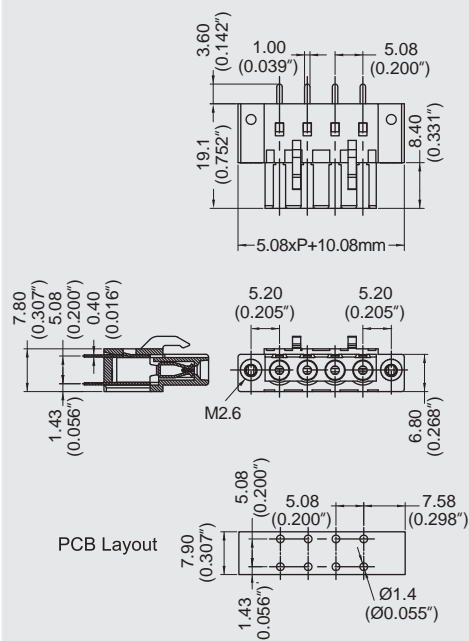
DIMENSIONS/POSITIONS

MF206-508

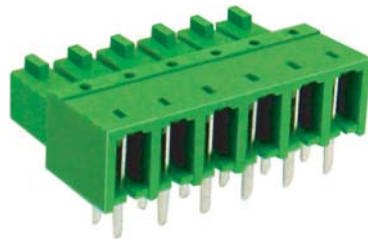
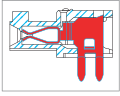
間距	Pitch	5.08mm
位數	Poles	2 ~ 24Poles
塑膠本體	Housing Material	PA 66
夾片	Wire Protector	Phosphor Bronze, Tin Plated
PCB孔徑	PCB Hole Diameter	1.4mm
環境作業溫度	Operating Temperature	-40°C to +105°C

TECHNICAL DATA

連接符合標準 Connection in acc. with standard EN-VDE		
額定電流 I _n Nominal Current I _n		11A
額定橫截面 Nominal Cross Section		-
最大負載電流 Maximum load current		11A
絕緣材料 Insulating Material		PA
阻燃等級,符合UL94 Inflammability class acc. to UL94		V0
額定電壓,UL/CUL Nominal voltage, UL/CUL		300V
額定電流,UL/CUL Nominal current, UL/CUL		11A



MF213 Connector



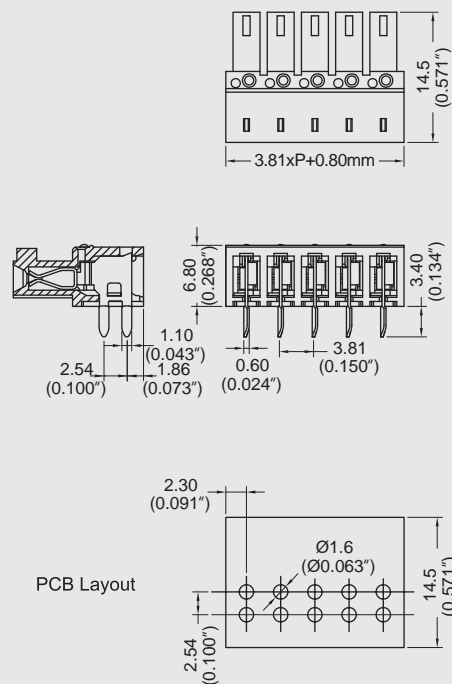
DIMENSIONS/POSITIONS

MF213-381

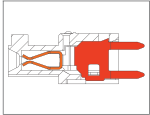
間距	Pitch	3.81mm
位數	Poles	2 ~ 24Poles
塑膠本體	Housing Material	PA 66
夾片	Wire Protector	Phosphor Bronze, Tin Plated
PCB孔徑	PCB Hole Diameter	1.6mm
環境作業溫度	Operating Temperature	-40°C to +105°C

TECHNICAL DATA

連接符合標準 Connection in acc. with standard EN-VDE		
額定電流 I _n	Nominal Current I _n	7A
額定橫截面	Nominal Cross Section	-
最大負載電流	Maximum load current	7A
絕緣材料	Insulating Material	PA
阻燃等級,符合UL94 Inflammability class acc. to UL94		V0
額定電壓,UL/CUL Nominal voltage, UL/CUL		300V
額定電流,UL/CUL Nominal current, UL/CUL		7A



MF214 Connector



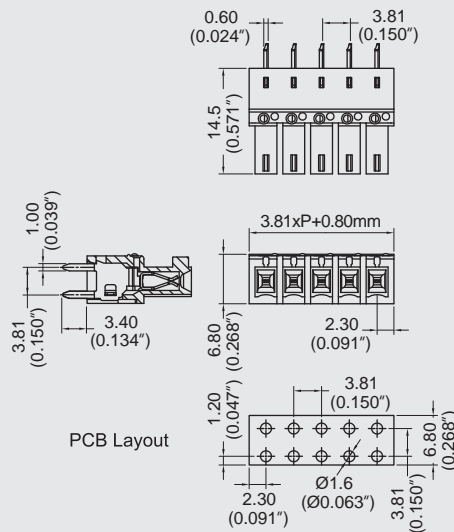
DIMENSIONS/POSITIONS

MF214-381

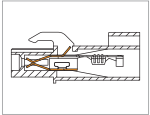
間距	Pitch	3.81mm
位數	Poles	2 ~ 24Poles
塑膠本體	Housing Material	PA 66
夾片	Wire Protector	Phosphor Bronze, Tin Plated
PCB孔徑	PCB Hole Diameter	1.6mm
環境作業溫度	Operating Temperature	-40°C to +105°C

TECHNICAL DATA

連接符合標準 Connection in acc. with standard EN-VDE		
額定電流 I _n Nominal Current I _n		7A
額定橫截面 Nominal Cross Section		-
最大負載電流 Maximum load current		7A
絕緣材料 Insulating Material		PA
阻燃等級,符合UL94 Inflammability class acc. to UL94		V0
額定電壓,UL/CUL Nominal voltage, UL/CUL		300V
額定電流,UL/CUL Nominal current, UL/CUL		7A



MF316 Connector



DIMENSIONS/POSITIONS

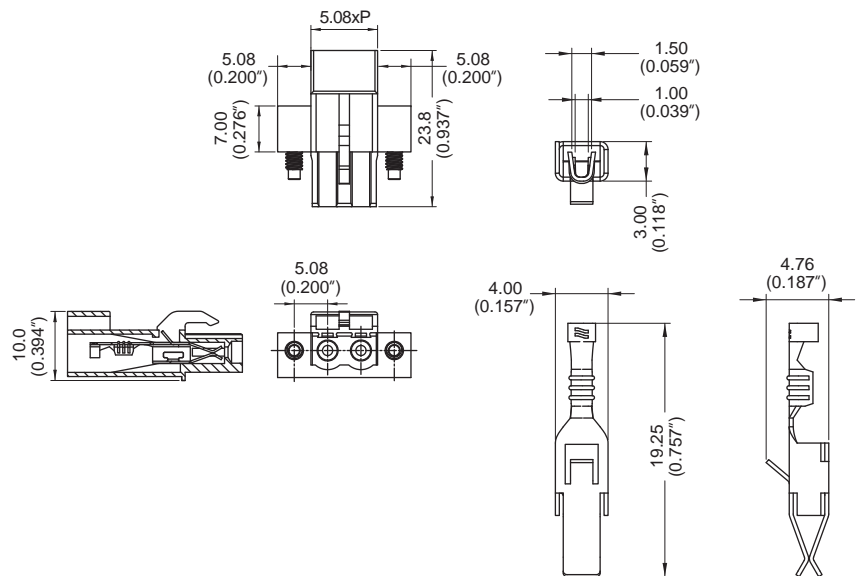
MF316-508

BM04-MF300F01T

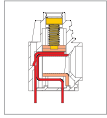
間距	Pitch	5.08mm
位數	Poles	2 ~ 3Poles
塑膠本體	Housing Material	PBT
夾片	Wire Protector	Phosphor Bronze, Tin Plated
環境作業溫度	Operating Temperature	-40°C to +120°C

TECHNICAL DATA

連接符合標準 Connection in acc. with standard EN-VDE		
額定電流 I _n Nominal Current I _n		10A
額定橫截面 Nominal Cross Section		-
最大負載電流 Maximum load current		10A
絕緣材料 Insulating Material		PBT
阻燃等級,符合UL94 Inflammability class acc. to UL94		V0
額定電壓,UL/CUL Nominal voltage, UL/CUL		300V
額定電流,UL/CUL Nominal current, UL/CUL		10A



MH110 PCB Terminal Block, High Power- Modular



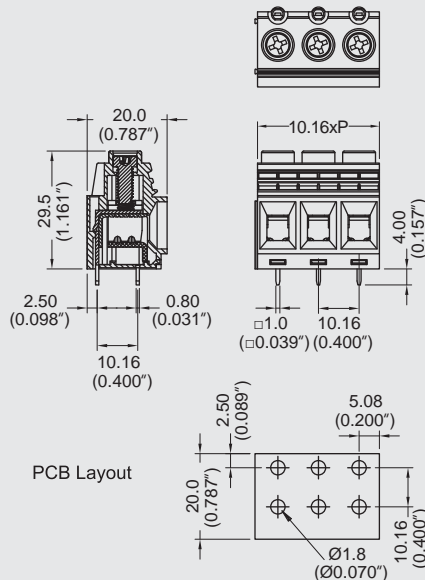
DIMENSIONS/POSITIONS

MH110-016M

間距	Pitch	10.16mm
位數	Poles	2 ~ 3Poles
塑膠本體	Housing Material	PA 66
壓線圈	Cage Clamp	Steel, Zinc Plated
端子	Contact	Copper, Tin Plated
螺紋	Screw Thread	M4.0, Steel, Zinc Plated
電線線徑	Wire Size	6 ~ 20AWG
剝線長度	Wire Strip Length	10mm ~ 11mm
PCB孔徑	PCB Hole Diameter	1.8mm
最大緊固扭矩	Tightening Torque, Max.	20 Lb-in
環境作業溫度	Operating Temperature	-40°C to +105°C

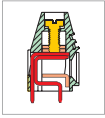
TECHNICAL DATA

連接符合標準 Connection in acc. with standard EN-VDE		
額定電流 I_n	Nominal Current I_n	57A
額定橫截面	Nominal Cross Section	10mm ²
最大負載電流	Maximum load current	57A
絕緣材料	Insulating Material	PA
阻燃等級,符合UL94 Inflammability class acc. to UL94		V0
額定電壓,UL/CUL Nominal voltage, UL/CUL		300V
額定電流,UL/CUL Nominal current, UL/CUL		57A



Note:
Screw Plating: Changes are available upon request

MH120 PCB Terminal Block, High Power- Modular



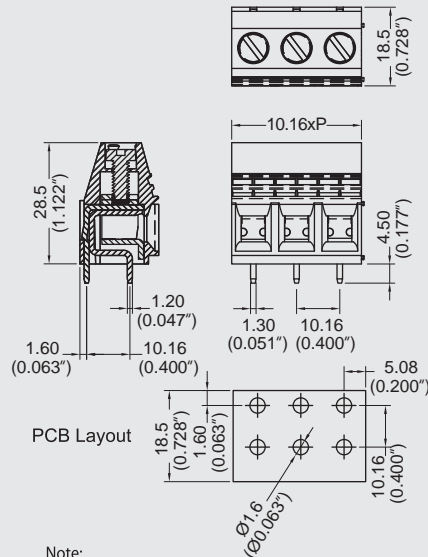
DIMENSIONS/POSITIONS

MH120-016M

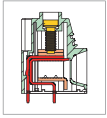
間距	Pitch	10.16mm
位數	Poles	2 ~ 3Poles
塑膠本體	Housing Material	PA 66
壓線圈	Cage Clamp	Steel, Zinc Plated
端子	Contact	Copper, Tin Plated
螺紋	Screw Thread	M4.0, Steel, Zinc Plated
電線線徑	Wire Size	6 ~ 26AWG
剝線長度	Wire Strip Length	10mm ~ 11mm
PCB孔徑	PCB Hole Diameter	1.6mm
最大緊固扭矩	Tightening Torque, Max.	20.5 Lb-in
環境作業溫度	Operating Temperature	-40°C to +105°C

TECHNICAL DATA

連接符合標準 Connection in acc. with standard EN-VDE		
額定電流 I_n	Nominal Current I_n	65A
額定橫截面	Nominal Cross Section	10mm ²
最大負載電流	Maximum load current	65A
絕緣材料	Insulating Material	PA
阻燃等級,符合UL94 Inflammability class acc. to UL94		V0
額定電壓,UL/CUL Nominal voltage, UL/CUL		300V
額定電流,UL/CUL Nominal current, UL/CUL		65A



MH130 PCB Terminal Block, High Power- Modular



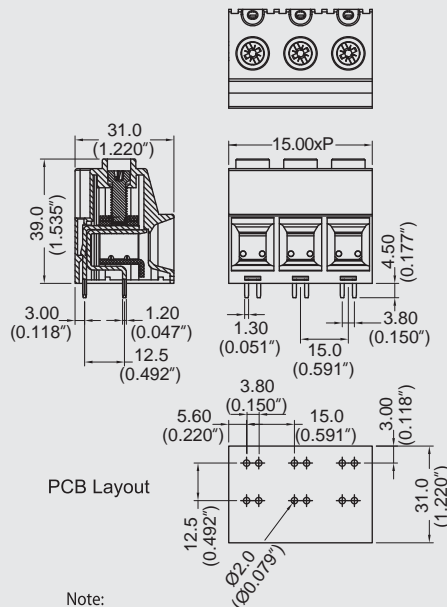
DIMENSIONS/POSITIONS

MH130-150

間距	Pitch	15.00mm
位數	Poles	2 ~ 8Poles
塑膠本體	Housing Material	PA 66
壓線圈	Cage Clamp	Steel, Zinc Plated
端子	Contact	Copper, Tin Plated
螺紋	Screw Thread	M5.0, Steel, Trivalent Chrome Plated
電線線徑	Wire Size	1 ~ 20AWG
剝線長度	Wire Strip Length	18mm
PCB孔徑	PCB Hole Diameter	2.0mm
最大緊固扭矩	Tightening Torque, Max.	30 Lb-in
環境作業溫度	Operating Temperature	-40°C to +105°C

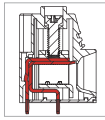
TECHNICAL DATA

連接符合標準 Connection in acc. with standard EN-VDE		
額定電流 I_n	Nominal Current I_n	125A
額定橫截面	Nominal Cross Section	-
最大負載電流	Maximum load current	125A
絕緣材料	Insulating Material	PA
阻燃等級,符合UL94 Inflammability class acc. to UL94		V0
額定電壓,UL/CUL Nominal voltage, UL/CUL		600V
額定電流,UL/CUL Nominal current, UL/CUL		125A



Note:
Screw Plating: Changes are available upon request

MH131 PCB Terminal Block, High Power- Modular



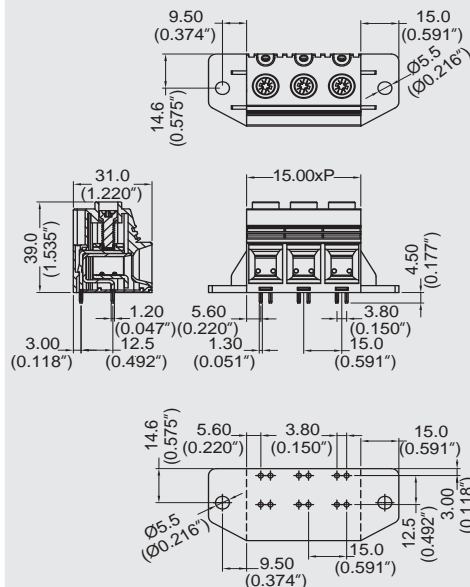
DIMENSIONS/POSITIONS

MH131-150

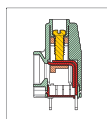
間距	Pitch	15.00mm
位數	Poles	2 ~ 8Poles
塑膠本體	Housing Material	PA 66
壓線圈	Cage Clamp	Steel, Zinc Plated
端子	Contact	Copper, Tin Plated
螺紋	Screw Thread	M5.0, Steel, Trivalent Chrome Plated
電線線徑	Wire Size	1 ~ 20AWG
剝線長度	Wire Strip Length	18mm
PCB孔徑	PCB Hole Diameter	2.0mm
最大緊固扭矩	Tightening Torque, Max.	30 Lb-in
環境作業溫度	Operating Temperature	-40°C to +105°C

TECHNICAL DATA

連接符合標準 Connection in acc. with standard EN-VDE		
額定電流 I_n	Nominal Current I_n	125A
額定橫截面	Nominal Cross Section	-
最大負載電流	Maximum load current	125A
絕緣材料	Insulating Material	PA
阻燃等級,符合UL94 Inflammability class acc. to UL94		V0
額定電壓,UL/CUL Nominal voltage, UL/CUL		600V
額定電流,UL/CUL Nominal current, UL/CUL		125A



MH140 PCB Terminal Block, High Power- Modular



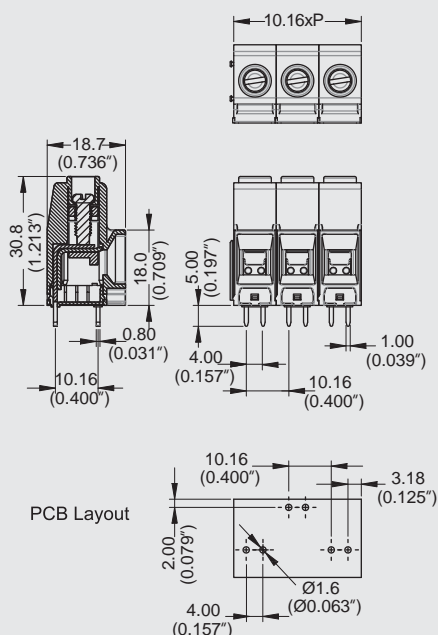
DIMENSIONS/POSITIONS

MH140-016M

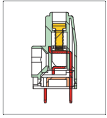
間距	Pitch	10.16mm
位數	Poles	2 ~ 8Poles
塑膠本體	Housing Material	PA 66
壓線圈	Cage Clamp	Brass, Tin Plated
端子	Contact	Copper, Tin Plated
螺紋	Screw Thread	M4, Steel, Zinc Plated
電線線徑	Wire Size	6 ~ 20AWG
剝線長度	Wire Strip Length	10mm
PCB孔徑	PCB Hole Diameter	1.6mm
最大緊固扭矩	Tightening Torque, Max.	15 Lb-in
環境作業溫度	Operating Temperature	-40°C to +105°C

TECHNICAL DATA

連接符合標準	Connection in acc. with standard EN-VDE	
額定電流 I _n	Nominal Current I _n	60A
額定橫截面	Nominal Cross Section	10mm ²
最大負載電流	Maximum load current	60A
絕緣材料	Insulating Material	PA
阻燃等級,符合UL94	Inflammability class acc. to UL94	V0
額定電壓,UL/CUL	Nominal voltage, UL/CUL	600V
額定電流,UL/CUL	Nominal current, UL/CUL	60A



MH140 PCB Terminal Block, High Power- Modular

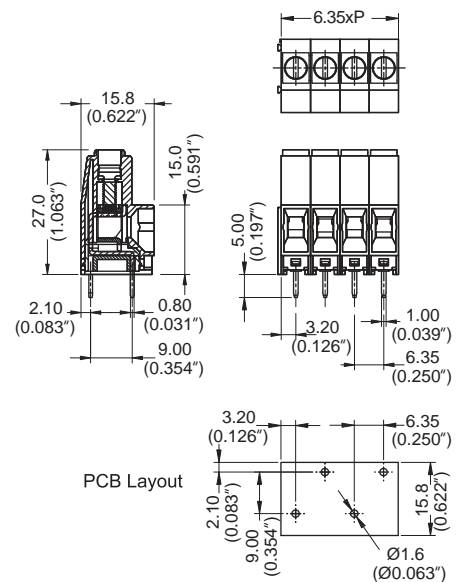
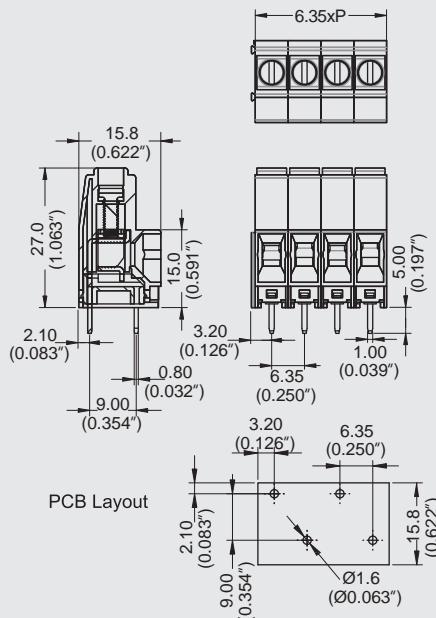


DIMENSIONS/POSITIONS

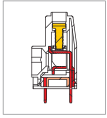
DIMENSIONS/POSITIONS		MH140-635	MH140-635M
間距	Pitch	6.35mm	6.35mm
位數	Poles	2 ~ 8Poles	2 ~ 30Poles
塑膠本體	Housing Material	PA 66	PA 66
壓線圈	Cage Clamp	Steel, Zinc Plated	Steel, Zinc Plated
端子	Contact	Copper, Tin Plated	Brass, Tin Plated
螺紋	Screw Thread	M3, Steel, Zinc Plated	M3, Steel, Zinc Plated
電線線徑	Wire Size	8 ~ 18AWG	8 ~ 18AWG
剝線長度	Wire Strip Length	6.5mm ~ 7.5mm	6.5mm ~ 7.5mm
PCB孔徑	PCB Hole Diameter	1.6mm	1.6mm
最大緊固扭矩	Tightening Torque, Max.	9.0 Lb-in	9.0 Lb-in
環境作業溫度	Operating Temperature	-40°C to +105°C	-40°C to +105°C

TECHNICAL DATA

連接符合標準 Connection in acc. with standard EN-VDE			
額定電流 I_n	Nominal Current I_n	57A	57A
額定橫截面	Nominal Cross Section	10mm ²	10mm ²
最大負載電流	Maximum load current	57A	57A
絕緣材料	Insulating Material	PA	PA
阻燃等級,符合UL94 Inflammability class acc. to UL94		V0	V0
額定電壓,UL/CUL Nominal voltage, UL/CUL		600V	600V
額定電流,UL/CUL Nominal current, UL/CUL		35A	35A



MH150 PCB Terminal Block, High Power- Modular



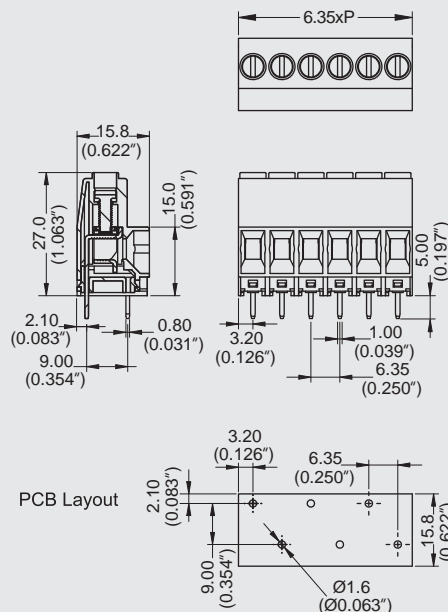
DIMENSIONS/POSITIONS

MH150-635M

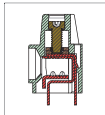
間距	Pitch	6.35mm
位數	Poles	2 ~ 8Poles
塑膠本體	Housing Material	PA 66
壓線圈	Cage Clamp	Steel, Zinc Plated
端子	Contact	Copper, Tin Plated
螺紋	Screw Thread	M3, Steel, Zinc Plated
電線線徑	Wire Size	8 ~ 18AWG
剝線長度	Wire Strip Length	6.5mm ~ 7.5mm
PCB孔徑	PCB Hole Diameter	1.6mm
最大緊固扭矩	Tightening Torque, Max.	9.0 Lb-in
環境作業溫度	Operating Temperature	-40°C to +105°C

TECHNICAL DATA

連接符合標準 Connection in acc. with standard EN-VDE		
額定電流 I_n	Nominal Current I_n	35A
額定橫截面	Nominal Cross Section	10mm ²
最大負載電流	Maximum load current	35A
絕緣材料	Insulating Material	PA
阻燃等級,符合UL94 Inflammability class acc. to UL94		V0
額定電壓,UL/CUL Nominal voltage, UL/CUL		600V
額定電流,UL/CUL Nominal current, UL/CUL		35A



MH160 PCB Terminal Block, Modular



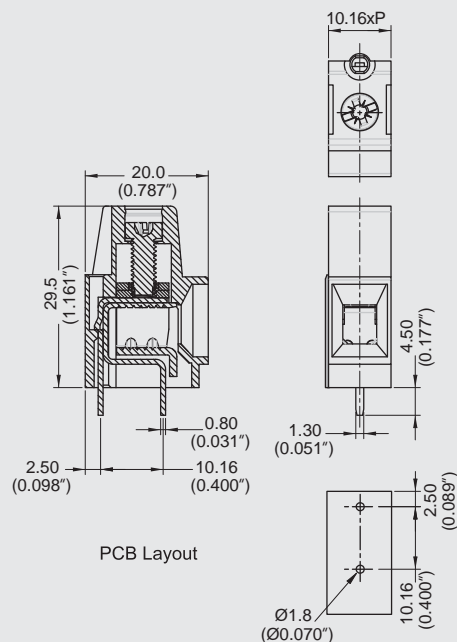
DIMENSIONS/POSITIONS

MH160-016M

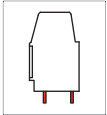
間距	Pitch	10.16mm
位數	Poles	2 ~ 3Poles
塑膠本體	Housing Material	PA 66
壓線圈	Cage Clamp	Steel, Zinc Plated
端子	Contact	Copper, Tin Plated
螺紋	Screw Thread	M4, Steel, Zinc Plated
電線線徑	Wire Size	6 ~ 20AWG
剝線長度	Wire Strip Length	10mm ~ 11mm
PCB孔徑	PCB Hole Diameter	1.8mm
最大緊固扭矩	Tightening Torque, Max.	20 Lb-in
環境作業溫度	Operating Temperature	-40°C to +105°C

TECHNICAL DATA

連接符合標準	Connection in acc. with standard EN-VDE	
額定電流 I _n	Nominal Current I _n	57A
額定橫截面	Nominal Cross Section	10mm ²
最大負載電流	Maximum load current	57A
絕緣材料	Insulating Material	PA
阻燃等級,符合UL94 Inflammability class acc. to UL94		V0
額定電壓,UL/CUL Nominal voltage, UL/CUL		300V
額定電流,UL/CUL Nominal current, UL/CUL		57A



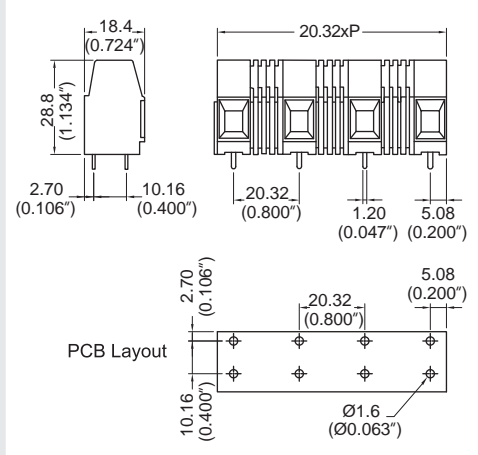
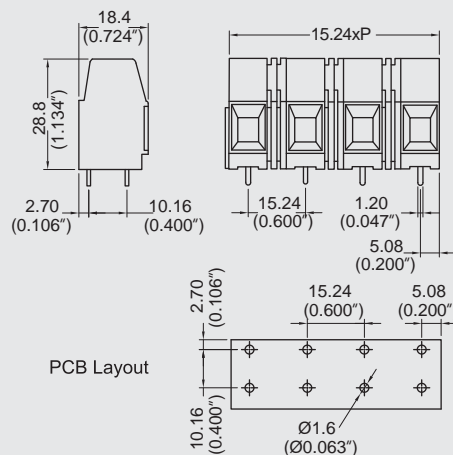
MH170 PCB Terminal Block, Modular



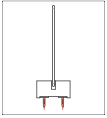
DIMENSIONS/POSITIONS		MH170-152	MH170-203
間距	Pitch	15.24mm	20.32mm
位數	Poles	2Poles	2Poles
塑膠本體	Housing Material	PA 66	PA 66
壓線圈	Cage Clamp	Steel, Zinc Plated	Steel, Zinc Plated
端子	Contact	Phosphor Bronze, Tin Plated	Phosphor Bronze, Tin Plated
螺紋	Screw Thread	M4, Stainless Strip Steel	M4, Stainless Strip Steel
電線線徑	Wire Size	6 ~ 20AWG	6 ~ 20AWG
PCB孔徑	PCB Hole Diameter	1.6mm	1.6mm
最大緊固扭矩	Tightening Torque, Max.	15.58 Lb-in	15.58 Lb-in
環境作業溫度	Operating Temperature	-40°C to +105°C	-40°C to +105°C

TECHNICAL DATA

連接符合標準 Connection in acc. with standard EN-VDE			
額定電流 I _n	Nominal Current I _n	65A	65A
額定橫截面	Nominal Cross Section	10mm ²	10mm ²
最大負載電流	Maximum load current	65A	65A
絕緣材料	Insulating Material	PA	PA
阻燃等級,符合UL94 Inflammability class acc. to UL94		V0	V0
額定電壓,UL/CUL Nominal voltage, UL/CUL		1000V	1000V
額定電流,UL/CUL Nominal current, UL/CUL		65A	65A

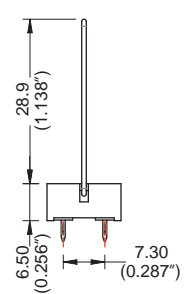
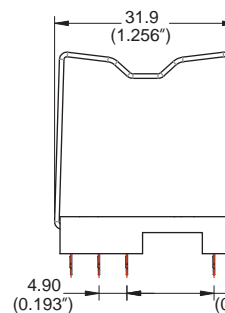
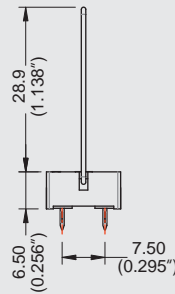
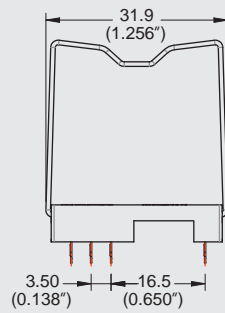
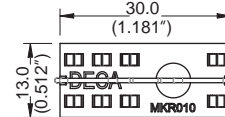
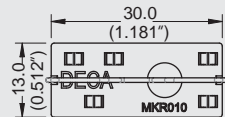


MKR010 PCB Terminal Block

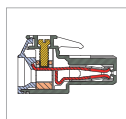


DIMENSIONS/POSITIONS		MKR010-05	MKR010-08
間距	Pitch	3.50mm	4.90mm
位數	Poles	5Poles	8Poles
塑膠本體	Housing Material	PBT	PBT
夾片端子腳	Contact	Phosphor Bronze	Phosphor Bronze
PCB孔徑	PCB Hole Diameter	1.3mm	1.3mm
□型環	Hold-down Clips	SUS 304	SUS 304

MKR



MPC100 PCB Connector



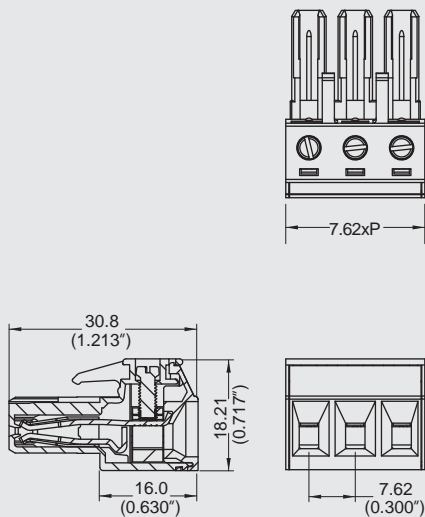
DIMENSIONS/POSITIONS

MPC100-762

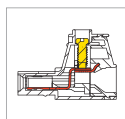
間距	Pitch	7.62mm
位數	Poles	2 ~ 12Poles
塑膠本體	Housing Material	PA 66
壓線圈	Cage Clamp	Brass, Ni Plated
夾片	Contact	Copper Alloy, Tin Plated
彈片	Wire Protector	Stainless Strip Steel
螺紋	Screw Thread	Steel, Chrom Plated
電線線徑	Wire Size	10 ~ 24AWG
剝線長度	Wire Strip Length	10mm
最大緊固扭矩	Tightening Torque, Max.	5.3 Lb-in
環境作業溫度	Operating Temperature	-40°C to +105°C

TECHNICAL DATA

連接符合標準 Connection in acc. with standard EN-VDE		
額定電流 I_n	Nominal Current I_n	30A
額定橫截面	Nominal Cross Section	4.0mm ²
最大負載電流	Maximum load current	30A
絕緣材料	Insulating Material	PA
阻燃等級,符合UL94 Inflammability class acc. to UL94		V0
額定電壓,UL/CUL Nominal voltage, UL/CUL		300V
額定電流,UL/CUL Nominal current, UL/CUL		30A



MPC100H PCB Connector



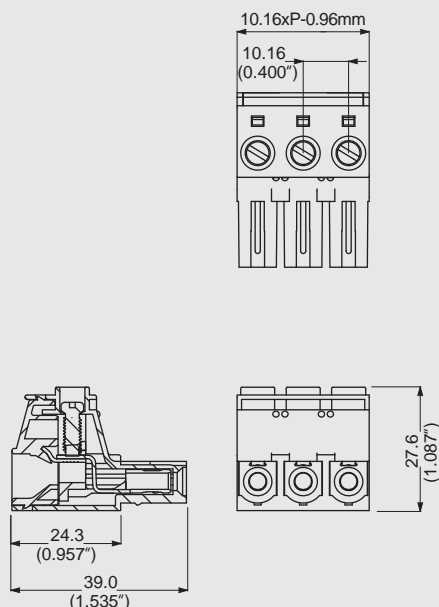
DIMENSIONS/POSITIONS

MPC100H-016

間距	Pitch	10.16mm
位數	Poles	2 ~ 8Poles
塑膠本體	Housing Material	PA 66
壓線圈	Cage Clamp	Brass, Ni Plated
夾片	Contact	Copper, Tin Plated
彈片	Wire Protector	Stainless Strip Steel
螺紋	Screw Thread	Steel, Zinc Plated
電線線徑	Wire Size	8 ~ 20AWG
剝線長度	Wire Strip Length	12mm
最大緊固扭矩	Tightening Torque, Max.	13.3 Lb-in
環境作業溫度	Operating Temperature	-40°C to +105°C

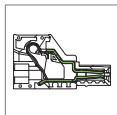
TECHNICAL DATA

連接符合標準 Connection in acc. with standard EN-VDE		
額定電流 I_n	Nominal Current I_n	50A
額定橫截面	Nominal Cross Section	10mm ²
最大負載電流	Maximum load current	50A
絕緣材料	Insulating Material	PA
阻燃等級,符合UL94 Inflammability class acc. to UL94		V0
額定電壓,UL/CUL Nominal voltage, UL/CUL		600V
額定電流,UL/CUL Nominal current, UL/CUL		50A



MPC

MPC200H PCB Connector



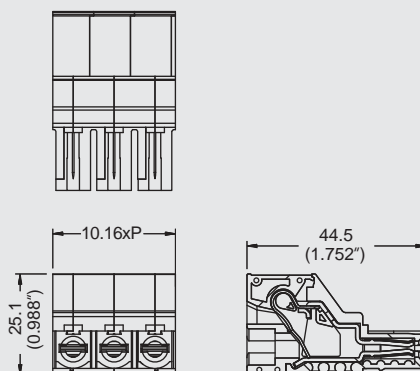
DIMENSIONS/POSITIONS

MPC200H-016

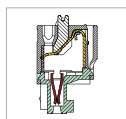
間距	Pitch	10.16mm
位數	Poles	2 ~ 8Poles
塑膠本體	Housing Material	PA 66
側蓋	Side Cover	Brass, Ni Plated
端子	Terminal	Copper, Ag Plated
彈片	Spring	Stainless
電線線徑	Wire Size	4 ~ 20AWG
剝線長度	Wire Strip Length	18mm
環境作業溫度	Operating Temperature	-40°C to +105°C

TECHNICAL DATA

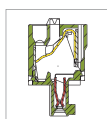
連接符合標準 Connection in acc. with standard EN-VDE		
額定電流 I_n	Nominal Current I_n	66A
額定橫截面	Nominal Cross Section	-
最大負載電流	Maximum load current	66A
絕緣材料	Insulating Material	PA
阻燃等級,符合UL94 Inflammability class acc. to UL94		V0
額定電壓,UL/CUL Nominal voltage, UL/CUL		600V
額定電流,UL/CUL Nominal current, UL/CUL		66A



MPC300 PCB Connector



MPC300-250



MPC300-350

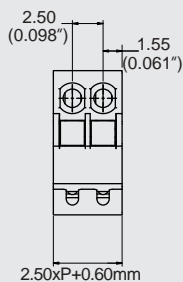


DIMENSIONS/POSITIONS

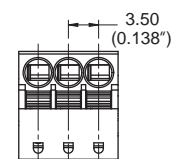
DIMENSIONS/POSITIONS		MPC300-250	MPC300-350
間距	Pitch	2.50mm	3.50mm
位數	Poles	2 ~ 16Poles	2 ~ 20Poles
塑膠本體	Housing Material	PA 66	PA 66
夾片	Contact	Copper, Tin Plated	Phosphor Bronze, Tin Plated
彈片	Wire Protector	Stainless Strip Steel	Stainless Strip Steel
電線線徑	Wire Size	20 ~ 28AWG	16 ~ 28AWG
剝線長度	Wire Strip Length	-	9mm
環境作業溫度	Operating Temperature	-40°C to +105°C	-40°C to +105°C

TECHNICAL DATA

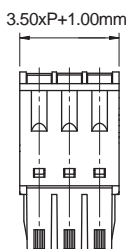
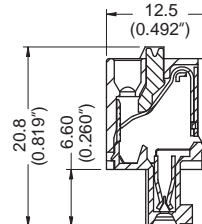
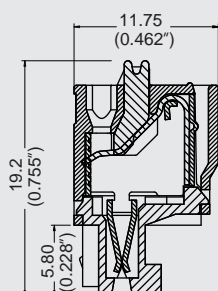
連接符合標準 Connection in acc. with standard EN-VDE			
額定電流 I _n	Nominal Current I _n	4A	8A
額定橫截面	Nominal Cross Section	2.5mm ²	-
最大負載電流	Maximum load current	4A	8A
絕緣材料	Insulating Material	PA	PA
阻燃等級,符合UL94 Inflammability class acc. to UL94		V0	V0
額定電壓,UL/CUL Nominal voltage, UL/CUL		125V	300V
額定電流,UL/CUL Nominal current, UL/CUL		4A	8A



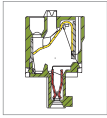
2.50xP+0.60mm



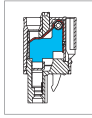
3.50xP+1.00mm



MPC300 PCB Connector



MPC300-381



MPC300-500

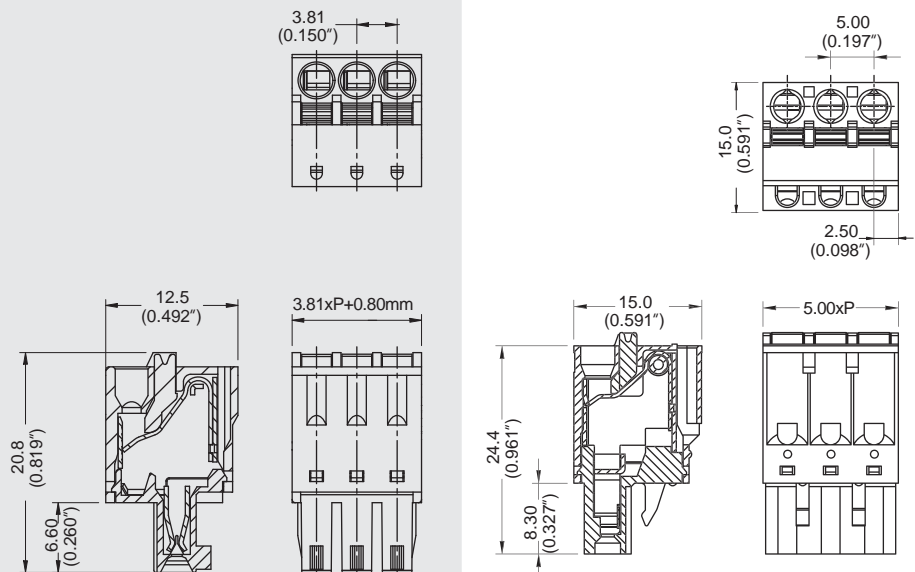


DIMENSIONS/POSITIONS

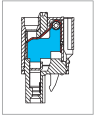
DIMENSIONS/POSITIONS		MPC300-381	MPC300-500
間距	Pitch	3.81mm	5.00mm
位數	Poles	2 ~ 20Poles	2 ~ 16Poles
塑膠本體	Housing Material	PA 66	PA 66
夾片	Contact	Phosphor Bronze, Tin Plated	Copper, Tin Plated
彈片	Wire Protector	Stainless Strip Steel	Stainless Strip Steel
電線線徑	Wire Size	16 ~ 28AWG	12 ~ 26AWG
剝線長度	Wire Strip Length	9mm	10mm
環境作業溫度	Operating Temperature	-40°C to +105°C	-40°C to +105°C

TECHNICAL DATA

連接符合標準 Connection in acc. with standard EN-VDE			
額定電流 I _N	Nominal Current I _N	8A	16A
額定橫截面	Nominal Cross Section	-	2.5mm ²
最大負載電流	Maximum load current	8A	16A
絕緣材料	Insulating Material	PA	PA
阻燃等級,符合UL94 Inflammability class acc. to UL94		V0	V0
額定電壓,UL/CUL Nominal voltage, UL/CUL		300V	300V
額定電流,UL/CUL Nominal current, UL/CUL		8A	16A



MPC300 PCB Connector



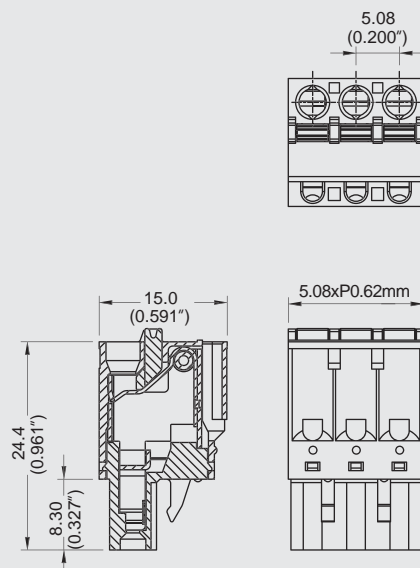
DIMENSIONS/POSITIONS

MPC300-508

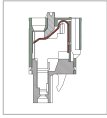
間距	Pitch	5.08mm
位數	Poles	2 ~ 16Poles
塑膠本體	Housing Material	PA 66
夾片	Contact	Copper, Tin Plated
彈片	Wire Protector	Stainless Strip Steel
電線線徑	Wire Size	12 ~ 26AWG
剝線長度	Wire Strip Length	10mm
環境作業溫度	Operating Temperature	-40°C to +105°C

TECHNICAL DATA

連接符合標準	Connection in acc. with standard EN-VDE	
額定電流 I _N	Nominal Current I _N	16A
額定橫截面	Nominal Cross Section	2.5mm ²
最大負載電流	Maximum load current	16A
絕緣材料	Insulating Material	PA
阻燃等級,符合UL94 Inflammability class acc. to UL94		V0
額定電壓,UL/CUL Nominal voltage, UL/CUL		300V
額定電流,UL/CUL Nominal current, UL/CUL		16A



MPC301 PCB Connector

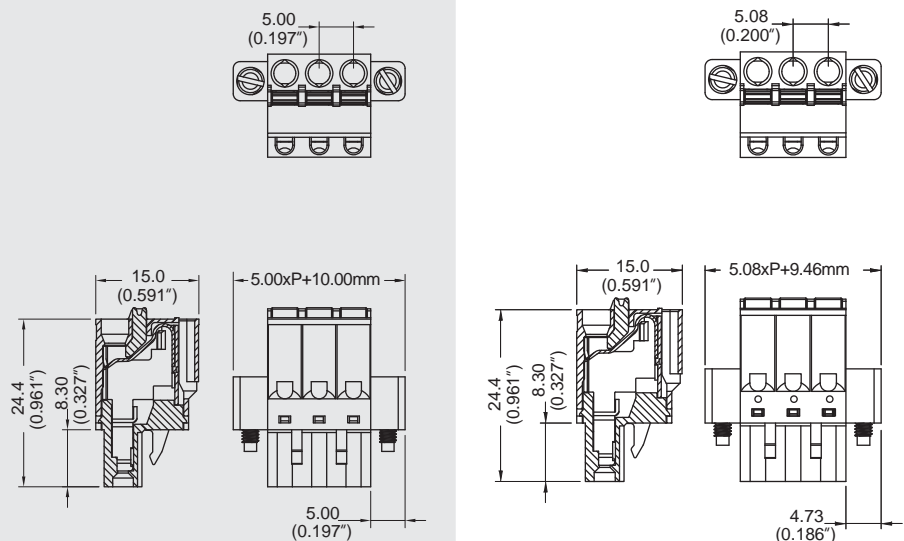


DIMENSIONS/POSITIONS

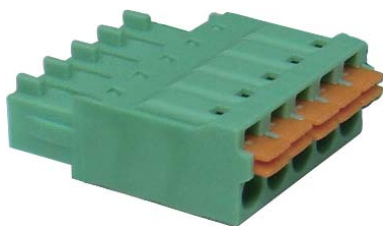
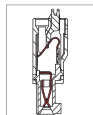
DIMENSIONS/POSITIONS		MPC301-500	MPC301-508
間距	Pitch	5.00mm	5.08mm
位數	Poles	2 ~ 16Poles	2 ~ 16Poles
塑膠本體	Housing Material	PA 66	PA 66
夾片	Contact	Copper, Tin Plated	Copper, Tin Plated
彈片	Wire Protector	Stainless Strip Steel	Stainless Strip Steel
電線線徑	Wire Size	12 ~ 26AWG	12 ~ 26AWG
剝線長度	Wire Strip Length	10mm	10mm
環境作業溫度	Operating Temperature	-40°C to +105°C	-40°C to +105°C

TECHNICAL DATA

連接符合標準 Connection in acc. with standard EN-VDE			
額定電流 I _n	Nominal Current I _n	16A	16A
額定橫截面	Nominal Cross Section	2.5mm ²	2.5mm ²
最大負載電流	Maximum load current	16A	16A
絕緣材料	Insulating Material	PA	PA
阻燃等級,符合UL94 Inflammability class acc. to UL94		V0	V0
額定電壓,UL/CUL Nominal voltage, UL/CUL		300V	300V
額定電流,UL/CUL Nominal current, UL/CUL		16A	16A



MPC310 PCB Connector



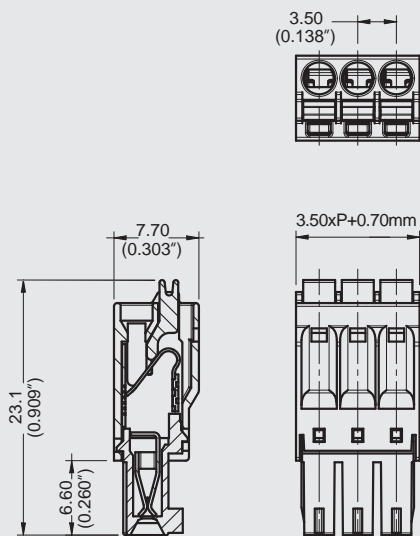
DIMENSIONS/POSITIONS

MPC310-350

間距	Pitch	3.50mm
位數	Poles	2 ~ 16Poles
塑膠本體	Housing Material	PA 66
夾片	Contact	Phosphor Bronze, Tin Plated
彈片	Wire Protector	Stainless Strip Steel
電線線徑	Wire Size	16 ~ 24AWG
剝線長度	Wire Strip Length	10mm
環境作業溫度	Operating Temperature	-40°C to +105°C

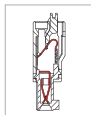
TECHNICAL DATA

連接符合標準	Connection in acc. with standard EN-VDE	
額定電流 I _n	Nominal Current I _n	8A
額定橫截面	Nominal Cross Section	-
最大負載電流	Maximum load current	8A
絕緣材料	Insulating Material	PA
阻燃等級,符合UL94 Inflammability class acc. to UL94		V0
額定電壓,UL/CUL Nominal voltage, UL/CUL		150V
額定電流,UL/CUL Nominal current, UL/CUL		8A



MPC

MPC311 PCB Connector



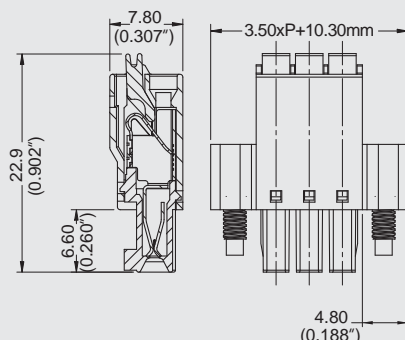
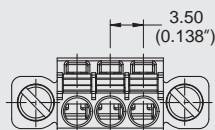
DIMENSIONS/POSITIONS

MPC311-350

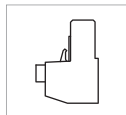
間距	Pitch	3.50mm
位數	Poles	2 ~ 16Poles
塑膠本體	Housing Material	PA 66
夾片	Contact	Phosphor Bronze, Tin Plated
彈片	Wire Protector	Stainless Strip Steel
電線線徑	Wire Size	16 ~ 24AWG
剝線長度	Wire Strip Length	10mm
環境作業溫度	Operating Temperature	-40°C to +105°C

TECHNICAL DATA

連接符合標準 Connection in acc. with standard EN-VDE		
額定電流 I _n Nominal Current I _n	8A	
額定橫截面 Nominal Cross Section	-	
最大負載電流 Maximum load current	8A	
絕緣材料 Insulating Material	PA	
阻燃等級,符合UL94 Inflammability class acc. to UL94	V0	
額定電壓,UL/CUL Nominal voltage, UL/CUL	150V	
額定電流,UL/CUL Nominal current, UL/CUL	8A	



MPC405 PCB Connector



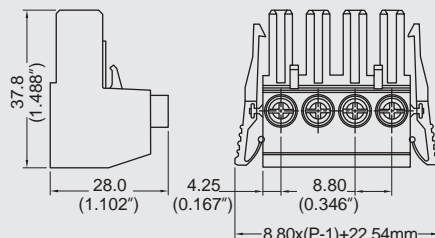
DIMENSIONS/POSITIONS

MPC405-880

間距	Pitch	8.80mm
位數	Poles	2 ~ 12Poles
塑膠本體	Housing Material	PA 66
夾片	Contact	Copper, Tin Plated
彈片	Wire Protector	Stainless Strip Steel
電線線徑	Wire Size	6 ~ 20AWG
最大緊固扭矩	Tightening Torque, Max.	15.90 Lb-in
環境作業溫度	Operating Temperature	-40°C to +105°C

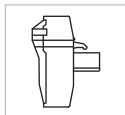
TECHNICAL DATA

連接符合標準	Connection in acc. with standard EN-VDE	
額定電流 I _n	Nominal Current I _n	65A
額定橫截面	Nominal Cross Section	10mm ²
最大負載電流	Maximum load current	65A
絕緣材料	Insulating Material	PA
阻燃等級,符合UL94 Inflammability class acc. to UL94		V0
額定電壓,UL/CUL Nominal voltage, UL/CUL		600V
額定電流,UL/CUL Nominal current, UL/CUL		65A



MPC

MPC520 PCB Connector



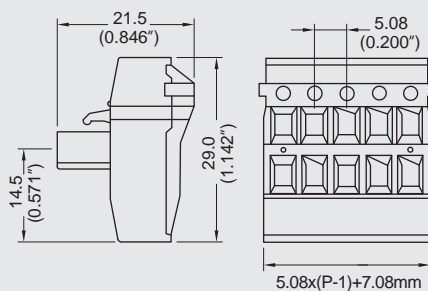
DIMENSIONS/POSITIONS

MPC520-508

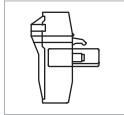
間距	Pitch	5.08mm
位數	Poles	2 ~ 12Poles
塑膠本體	Housing Material	PA 66
壓線圈	Cage Clamp	Copper, Tin Plated
端子	Contact	Stainless Strip Steel
螺紋	Screw Thread	M2.0, Steel, Zinc Plated
電線線徑	Wire Size	12 ~ 30AWG
剝線長度	Wire Strip Length	10mm
最大緊固扭矩	Tightening Torque, Max.	5.31 Lb-in
環境作業溫度	Operating Temperature	-40°C to +105°C

TECHNICAL DATA

連接符合標準 Connection in acc. with standard EN-VDE		
額定電流 I _n	Nominal Current I _n	16A
額定橫截面	Nominal Cross Section	2.5mm ²
最大負載電流	Maximum load current	16A
絕緣材料	Insulating Material	PA
阻燃等級,符合UL94 Inflammability class acc. to UL94		V0
額定電壓,UL/CUL Nominal voltage, UL/CUL		300V
額定電流,UL/CUL Nominal current, UL/CUL		16A



MPC521 PCB Connector



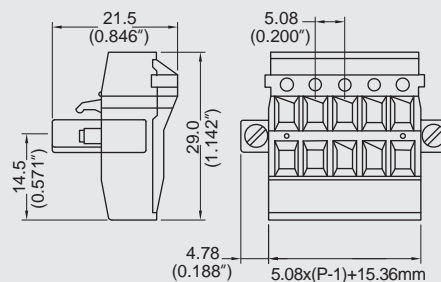
DIMENSIONS/POSITIONS

MPC521-508

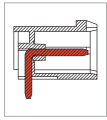
間距	Pitch	5.08mm
位數	Poles	2 ~ 12Poles
塑膠本體	Housing Material	PA 66
壓線圈	Cage Clamp	Copper, Tin Plated
端子	Contact	Stainless Strip Steel
螺紋	Screw Thread	M2.0, Steel, Zinc Plated
電線線徑	Wire Size	12 ~ 30AWG
剝線長度	Wire Strip Length	10mm
最大緊固扭矩	Tightening Torque, Max.	5.31 Lb-in
環境作業溫度	Operating Temperature	-40°C to +105°C

TECHNICAL DATA

連接符合標準 Connection in acc. with standard EN-VDE		
額定電流 I _n	Nominal Current I _n	16A
額定橫截面	Nominal Cross Section	2.5mm ²
最大負載電流	Maximum load current	16A
絕緣材料	Insulating Material	PA
阻燃等級,符合UL94 Inflammability class acc. to UL94		V0
額定電壓,UL/CUL Nominal voltage, UL/CUL		300V
額定電流,UL/CUL Nominal current, UL/CUL		16A



MPE010 PCB Connector, Header (reflow soldering)



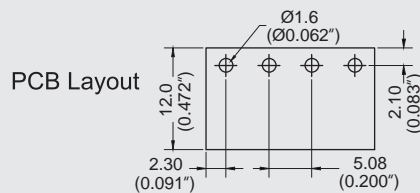
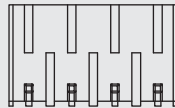
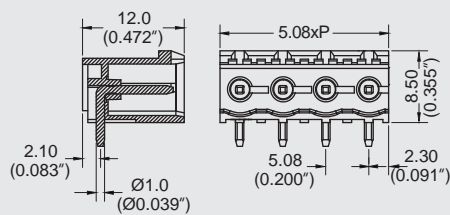
DIMENSIONS/POSITIONS

MPE010-508

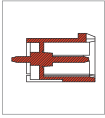
間距	Pitch	5.08mm
位數	Poles	2 ~ 12Poles
塑膠本體	Housing Material	LCP
PCB孔徑	PCB Hole Diameter	1.6mm

TECHNICAL DATA

連接符合標準 Connection in acc. with standard EN-VDE		
額定電流 I_n	Nominal Current I_n	16A
額定橫截面	Nominal Cross Section	-
最大負載電流	Maximum load current	16A
絕緣材料	Insulating Material	LCP
阻燃等級,符合UL94 Inflammability class acc. to UL94		V0
額定電壓,UL/CUL Nominal voltage, UL/CUL		300V
額定電流,UL/CUL Nominal current, UL/CUL		16A



MPE020 PCB Connector, Header (reflow soldering)



DIMENSIONS/POSITIONS

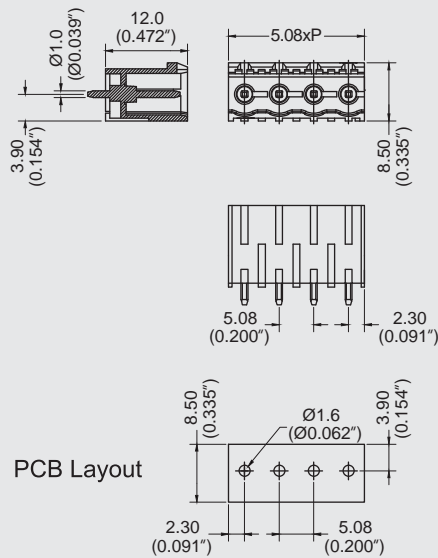
MPE020-508

間距	Pitch	5.08mm
位數	Poles	2 ~ 12Poles
塑膠本體	Housing Material	LCP
PCB孔徑	PCB Hole Diameter	1.6mm

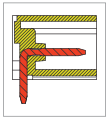
TECHNICAL DATA

連接符合標準 Connection in acc. with standard EN-VDE		
額定電流 I_n	Nominal Current I_n	16A
額定橫截面	Nominal Cross Section	-
最大負載電流	Maximum load current	16A
絕緣材料	Insulating Material	LCP
阻燃等級,符合UL94 Inflammability class acc. to UL94		V0
額定電壓,UL/CUL Nominal voltage, UL/CUL		300V
額定電流,UL/CUL Nominal current, UL/CUL		16A

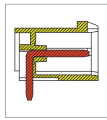
MPE



MPE030 PCB Connector, Header (reflow soldering)



MPE030-381



MPE030-508

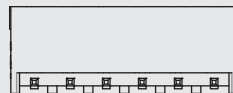
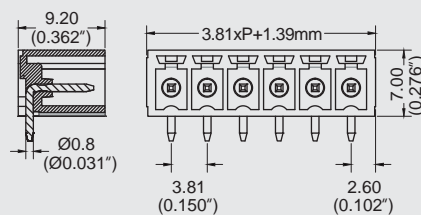


DIMENSIONS/POSITIONS

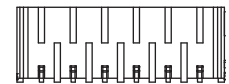
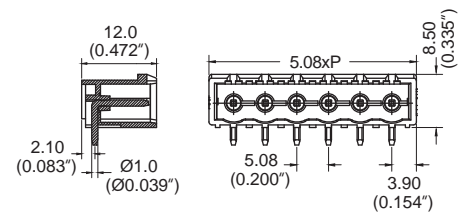
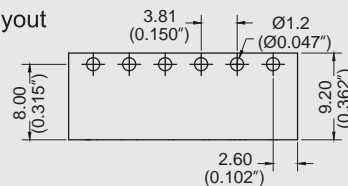
DIMENSIONS/POSITIONS		MPE030-381	MPE030-508
間距	Pitch	3.81mm	5.08mm
位數	Poles	2 ~ 12Poles	2 ~ 12Poles
塑膠本體	Housing Material	LCP	LCP
PCB孔徑	PCB Hole Diameter	1.2mm	1.6mm

TECHNICAL DATA

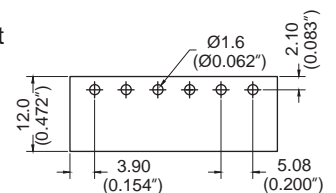
連接符合標準 Connection in acc. with standard EN-VDE			
額定電流 I _N	Nominal Current I _N	10A	16A
額定橫截面	Nominal Cross Section	-	-
最大負載電流	Maximum load current	10A	16A
絕緣材料	Insulating Material	LCP	LCP
阻燃等級,符合UL94 Inflammability class acc. to UL94		V0	V0
額定電壓,UL/CUL Nominal voltage, UL/CUL		300V	300V
額定電流,UL/CUL Nominal current, UL/CUL		10A	16A



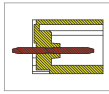
PCB Layout



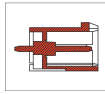
PCB Layout



MPE040 PCB Connector, Header (reflow soldering)



MPE040-381



MPE040-508

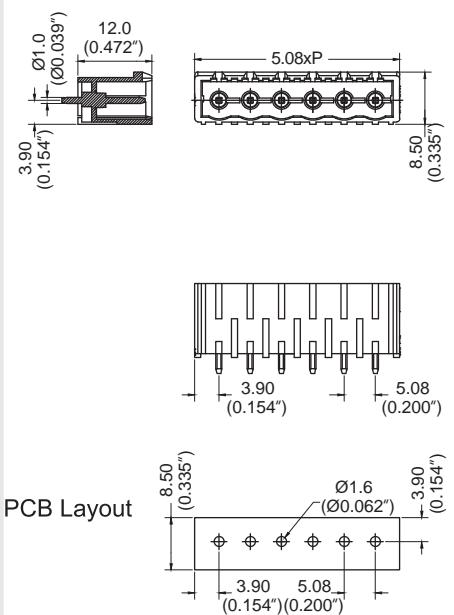
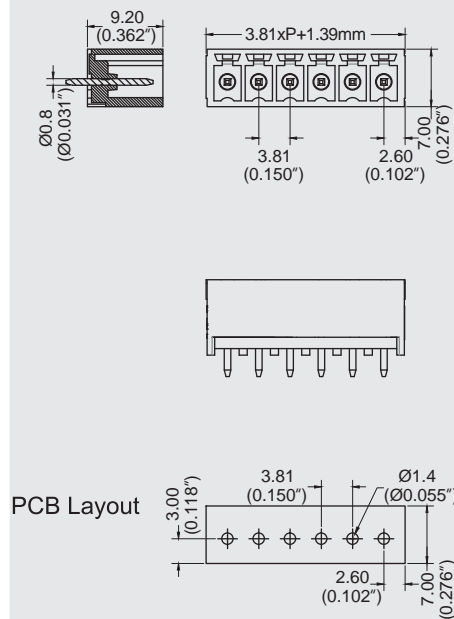


DIMENSIONS/POSITIONS

DIMENSIONS/POSITIONS		MPE040-381	MPE040-508
間距	Pitch	3.81mm	5.08mm
位數	Poles	2 ~ 12Poles	2 ~ 12Poles
塑膠本體	Housing Material	LCP	LCP
PCB孔徑	PCB Hole Diameter	1.4mm	1.6mm

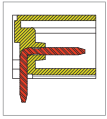
TECHNICAL DATA

連接符合標準 Connection in acc. with standard EN-VDE			
額定電流 I _N	Nominal Current I _N	10A	16A
額定橫截面	Nominal Cross Section	-	-
最大負載電流	Maximum load current	10A	16A
絕緣材料	Insulating Material	LCP	LCP
阻燃等級,符合UL94 Inflammability class acc. to UL94		V0	V0
額定電壓,UL/CUL Nominal voltage, UL/CUL		300V	300V
額定電流,UL/CUL Nominal current, UL/CUL		10A	16A

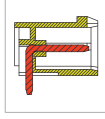


MPE

MPE050 PCB Connector, Header (reflow soldering)



MPE050-381



MPE050-508

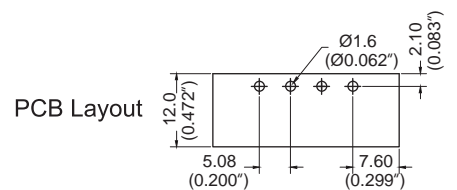
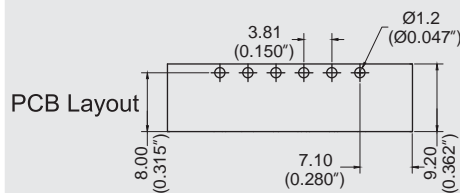
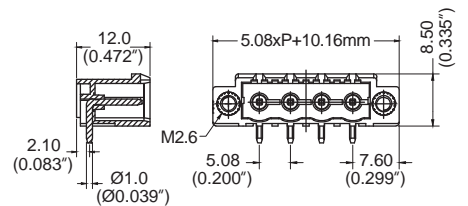
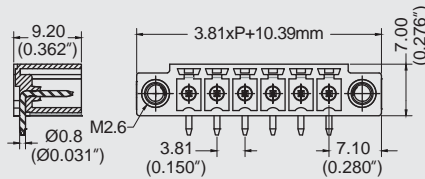


DIMENSIONS/POSITIONS

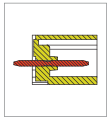
DIMENSIONS/POSITIONS		MPE050-381	MPE050-508
間距	Pitch	3.81mm	5.08mm
位數	Poles	2 ~ 12Poles	2 ~ 12Poles
塑膠本體	Housing Material	LCP	LCP
PCB孔徑	PCB Hole Diameter	1.2mm	1.6mm

TECHNICAL DATA

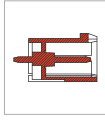
連接符合標準 Connection in acc. with standard EN-VDE			
額定電流 I _n	Nominal Current I _n	10A	16A
額定橫截面	Nominal Cross Section	-	-
最大負載電流	Maximum load current	10A	16A
絕緣材料	Insulating Material	LCP	LCP
阻燃等級,符合UL94 Inflammability class acc. to UL94		V0	V0
額定電壓,UL/CUL Nominal voltage, UL/CUL		300V	300V
額定電流,UL/CUL Nominal current, UL/CUL		10A	16A



MPE060 PCB Connector, Header (reflow soldering)



MPE060-381



MPE060-508

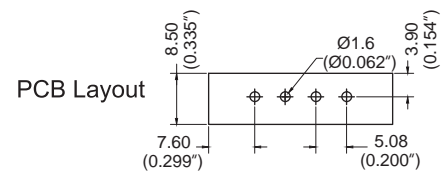
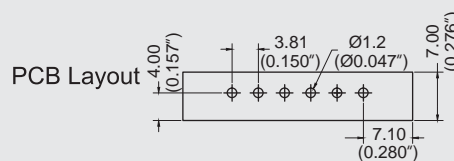
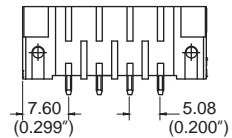
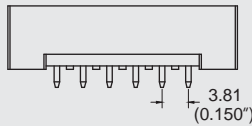
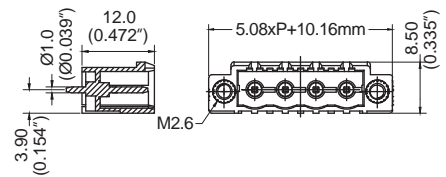
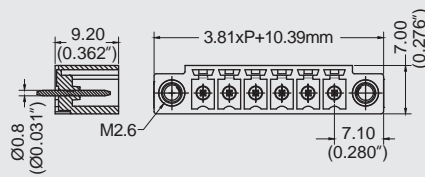


DIMENSIONS/POSITIONS

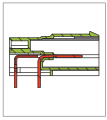
DIMENSIONS/POSITIONS		MPE060-381	MPE060-508
間距	Pitch	3.81mm	5.08mm
位數	Poles	2 ~ 12Poles	2 ~ 12Poles
塑膠本體	Housing Material	LCP	LCP
PCB孔徑	PCB Hole Diameter	1.2mm	1.6mm

TECHNICAL DATA

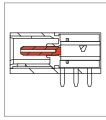
連接符合標準 Connection in acc. with standard EN-VDE			
額定電流 I _n	Nominal Current I _n	10A	16A
額定橫截面	Nominal Cross Section	-	-
最大負載電流	Maximum load current	10A	16A
絕緣材料	Insulating Material	LCP	LCP
阻燃等級,符合UL94 Inflammability class acc. to UL94		V0	V0
額定電壓,UL/CUL Nominal voltage, UL/CUL		300V	300V
額定電流,UL/CUL Nominal current, UL/CUL		10A	16A



MPE100 PCB Connector, Header (wave soldering)



MPE100-762



MPE100-016

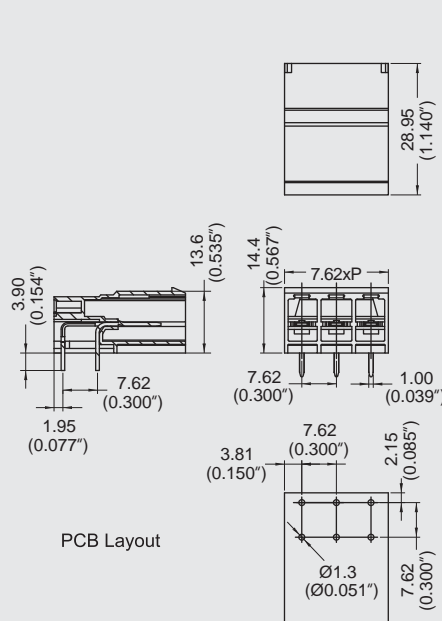


DIMENSIONS/POSITIONS

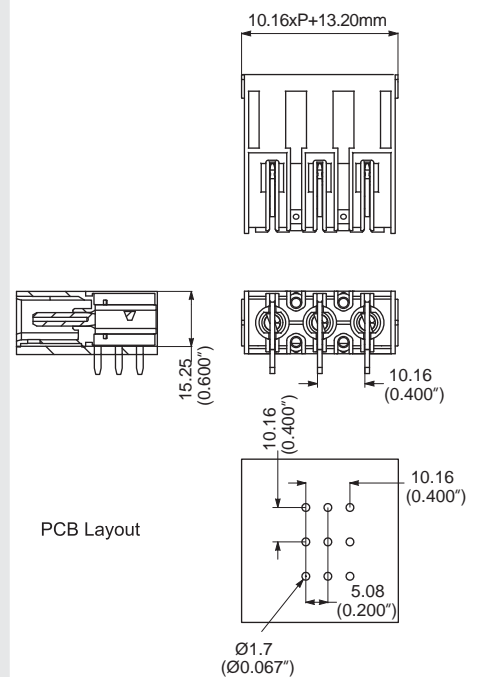
DIMENSIONS/POSITIONS		MPE100-762	MPE100-016
間距	Pitch	7.62mm	10.16mm
位數	Poles	2 ~ 12Poles	2 ~ 8Poles
塑膠本體	Housing Material	PBT	PA 66
端子	Contact	Copper, Tin Plated	Copper alloy
PCB孔徑	PCB Hole Diameter	1.3mm	1.7mm
環境作業溫度	Operating Temperature	-40°C to +105°C	-40°C to +105°C

TECHNICAL DATA

連接符合標準 Connection in acc. with standard EN-VDE			
額定電流 I _n	Nominal Current I _n	30A	50A
額定橫截面	Nominal Cross Section	-	-
最大負載電流	Maximum load current	30A	50A
絕緣材料	Insulating Material	PBT	PA
阻燃等級,符合UL94 Inflammability class acc. to UL94		V0	V0
額定電壓,UL/CUL Nominal voltage, UL/CUL		300V	300V
額定電流,UL/CUL Nominal current, UL/CUL		30A	50A

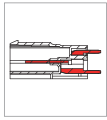


PCB Layout

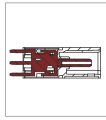


PCB Layout

MPE120 PCB Connector, Header (wave soldering)



MPE120-762



MPE120-016

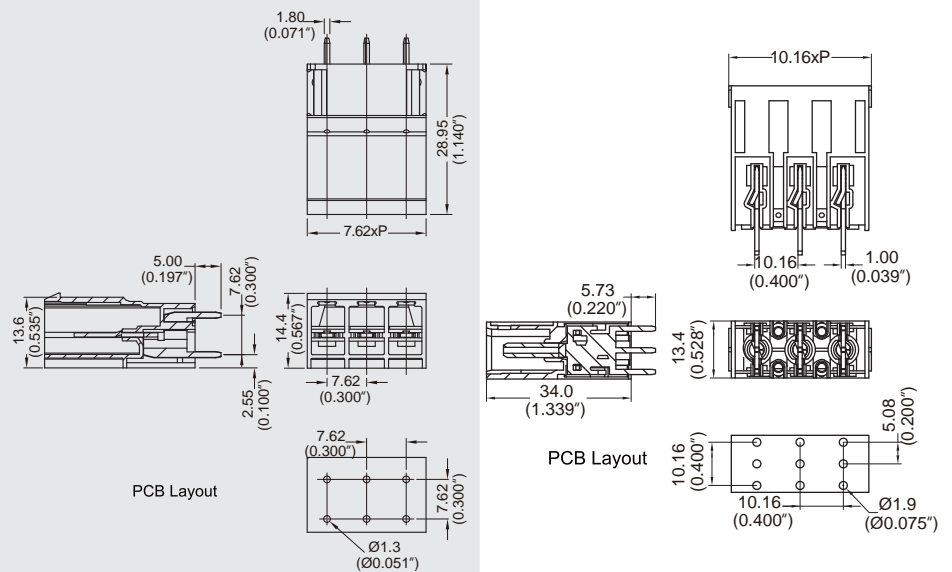


DIMENSIONS/POSITIONS

DIMENSIONS/POSITIONS		MPE120-762	MPE120-016
間距	Pitch	7.62mm	10.16mm
位數	Poles	2 ~ 12Poles	2 ~ 8Poles
塑膠本體	Housing Material	PBT	PA 66
端子	Contact	Copper, Tin Plated	Ag Plated
PCB孔徑	PCB Hole Diameter	1.3mm	1.9mm
環境作業溫度	Operating Temperature	-40°C to +120°C	-40°C to +105°C

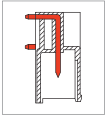
TECHNICAL DATA

連接符合標準 Connection in acc. with standard EN-VDE			
額定電流 I _n	Nominal Current I _n	30A	66A
額定橫截面	Nominal Cross Section	-	-
最大負載電流	Maximum load current	30A	66A
絕緣材料	Insulating Material	PBT	PA
阻燃等級,符合UL94 Inflammability class acc. to UL94		V0	V0
額定電壓,UL/CUL Nominal voltage, UL/CUL		300V	300V
額定電流,UL/CUL Nominal current, UL/CUL		30A	66A



MPE

MPE400 PCB Connector, Header (wave soldering)



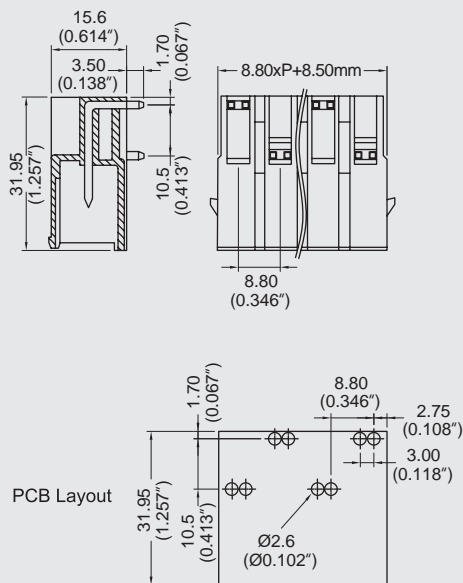
DIMENSIONS/POSITIONS

MPE400-880

間距	Pitch	8.80mm
位數	Poles	2 ~ 12Poles
塑膠本體	Housing Material	PA 66
PCB孔徑	PCB Hole Diameter	2.6mm
環境作業溫度	Operating Temperature	-40°C to +105°C

TECHNICAL DATA

連接符合標準 Connection in acc. with standard EN-VDE		
額定電流 I _n Nominal Current I _n	65A	
額定橫截面 Nominal Cross Section	-	
最大負載電流 Maximum load current	65A	
絕緣材料 Insulating Material	PA	
阻燃等級,符合UL94 Inflammability class acc. to UL94	V0	
額定電壓,UL/CUL Nominal voltage, UL/CUL	600V	
額定電流,UL/CUL Nominal current, UL/CUL	65A	



MPF100H Connector



DIMENSIONS/POSITIONS

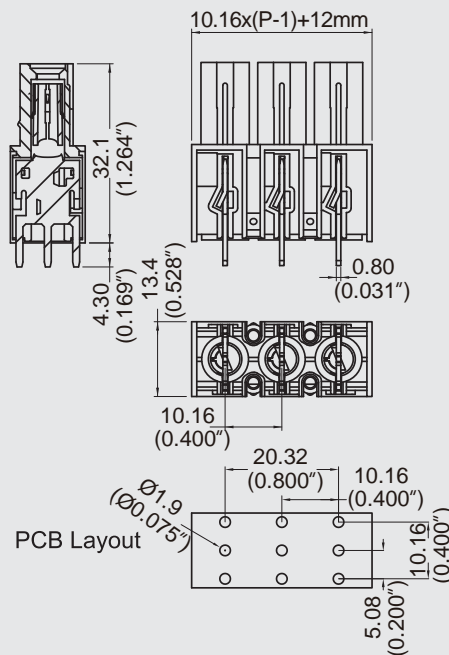
MPF100H-016

間距	Pitch	10.16mm
位數	Poles	2 ~ 8Poles
塑膠本體	Housing Material	PA 66
導電夾片	Contact	Copper Tin Plated
彈片	Spring	Stainless Steel
環境作業溫度	Operating Temperature	-40°C to +105°C

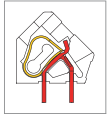
TECHNICAL DATA

連接符合標準 Connection in acc. with standard EN-VDE		
額定電流 I _N	Nominal Current I _N	66A
額定橫截面	Nominal Cross Section	-
最大負載電流	Maximum load current	66A
絕緣材料	Insulating Material	PA
阻燃等級,符合UL94 Inflammability class acc. to UL94		V0
額定電壓,UL/CUL Nominal voltage, UL/CUL		300V
額定電流,UL/CUL Nominal current, UL/CUL		66A

MPF



MPX110 PCB Terminal Strip

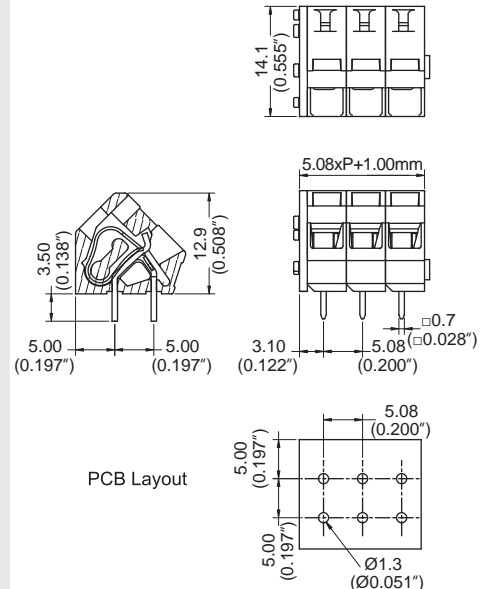
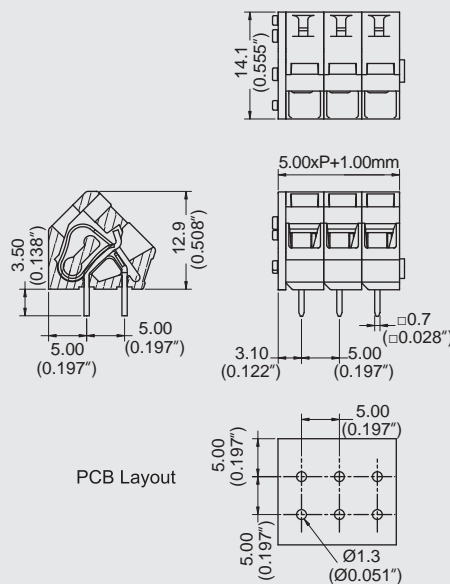


DIMENSIONS/POSITIONS

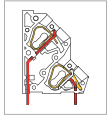
DIMENSIONS/POSITIONS		MPX110-500	MPX110-508
間距	Pitch	5.00mm	5.08mm
位數	Poles	2 ~ 24Poles	2 ~ 24Poles
塑膠本體	Housing Material	PA 66	PA 66
端蓋	Cover	PA 66	PA 66
端子	Contact	Copper, Tin Plated	Copper, Tin Plated
彈片	Spring	Stainless Strip Steel	Stainless Strip Steel
電線線徑	Wire Size	12 ~ 28AWG	12 ~ 28AWG
剝線長度	Wire Strip Length	7mm	7mm
PCB孔徑	PCB Hole Diameter	1.3mm	1.3mm
環境作業溫度	Operating Temperature	-40°C to +105°C	-40°C to +105°C

TECHNICAL DATA

連接符合標準 Connection in acc. with standard EN-VDE			
額定電流 I _n	Nominal Current I _n	16A	16A
額定橫截面	Nominal Cross Section	4.0mm ²	4.0mm ²
最大負載電流	Maximum load current	16A	16A
絕緣材料	Insulating Material	PA	PA
阻燃等級,符合UL94 Inflammability class acc. to UL94		V0	V0
額定電壓,UL/CUL Nominal voltage, UL/CUL		300V	300V
額定電流,UL/CUL Nominal current, UL/CUL		15A	15A



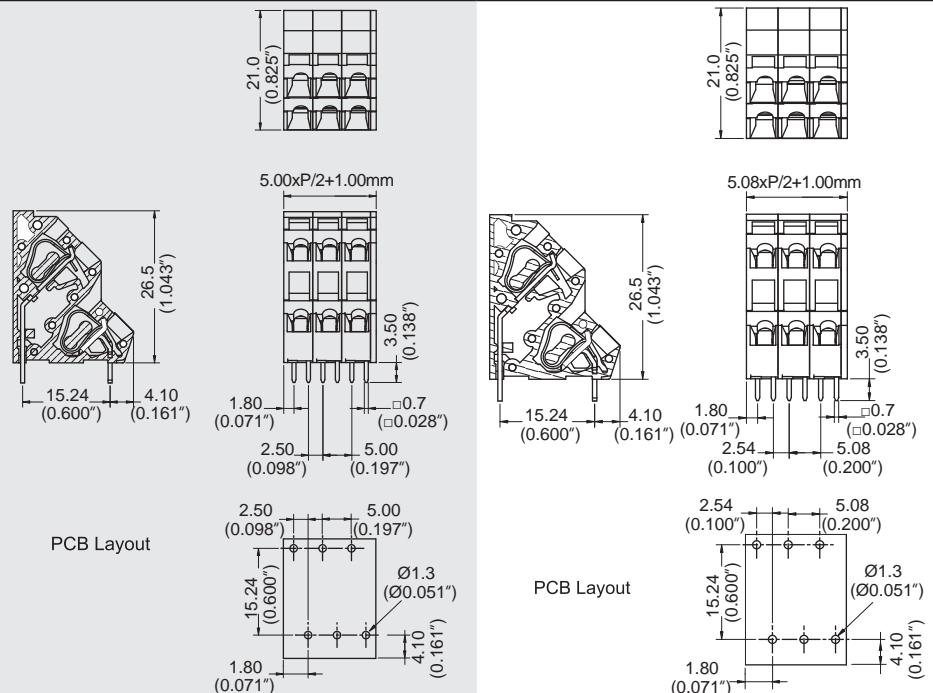
MPX120 Double-deck PCB Terminal Strip



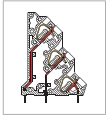
DIMENSIONS/POSITIONS		MPX120-500	MPX120-508
間距	Pitch	5.00mm	5.08mm
位數	Poles	4 ~ 48Poles	4 ~ 48Poles
塑膠本體	Housing Material	PA 66	PA 66
端蓋	Cover	PA 66	PA 66
端子	Contact	Copper, Tin Plated	Copper, Tin Plated
彈片	Spring	Stainless Strip Steel	Stainless Strip Steel
電線線徑	Wire Size	12 ~ 28AWG	12 ~ 28AWG
剝線長度	Wire Strip Length	7mm	7mm
PCB孔徑	PCB Hole Diameter	1.3mm	1.3mm
環境作業溫度	Operating Temperature	-40°C to +105°C	-40°C to +105°C

TECHNICAL DATA

連接符合標準 Connection in acc. with standard EN-VDE			
額定電流 I _n	Nominal Current I _n	10A	10A
額定橫截面	Nominal Cross Section	4.0mm ²	4.0mm ²
最大負載電流	Maximum load current	10A	10A
絕緣材料	Insulating Material	PA	PA
阻燃等級,符合UL94 Inflammability class acc. to UL94		V0	V0
額定電壓,UL/CUL Nominal voltage, UL/CUL		300V	300V
額定電流,UL/CUL Nominal current, UL/CUL		10A	10A



MPX130 Triple-deck PCB Terminal Strip

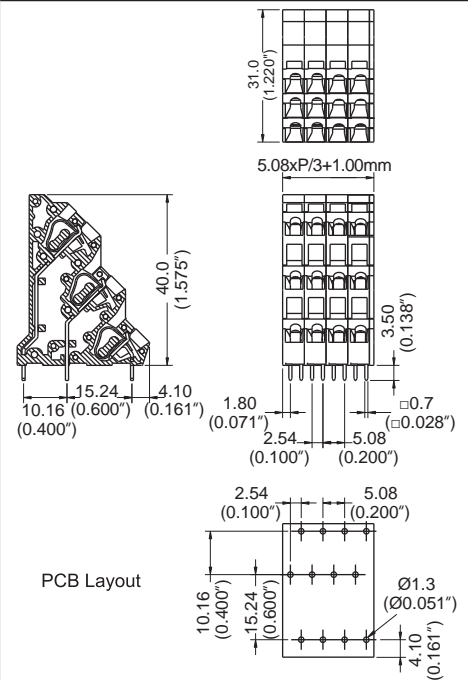
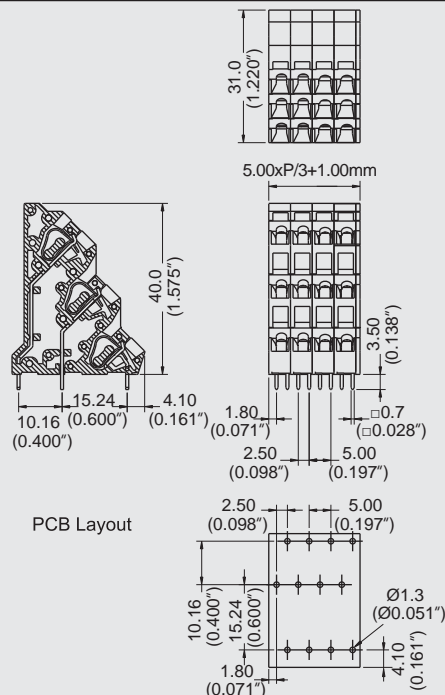


DIMENSIONS/POSITIONS

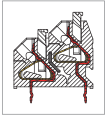
DIMENSIONS/POSITIONS		MPX130-500	MPX130-508
間距	Pitch	5.00mm	5.08mm
位數	Poles	6 ~ 72Poles	6 ~ 72Poles
塑膠本體	Housing Material	PA 66	PA 66
端蓋	Cover	PA 66	PA 66
端子	Contact	Copper, Tin Plated	Copper, Tin Plated
彈片	Spring	Stainless Strip Steel	Stainless Strip Steel
電線線徑	Wire Size	12 ~ 28AWG	12 ~ 28AWG
剝線長度	Wire Strip Length	7.5mm	7.5mm
PCB孔徑	PCB Hole Diameter	1.3mm	1.3mm
環境作業溫度	Operating Temperature	-40°C to +105°C	-40°C to +105°C

TECHNICAL DATA

連接符合標準 Connection in acc. with standard EN-VDE			
額定電流 I _n	Nominal Current I _n	10A	10A
額定橫截面	Nominal Cross Section	2.5mm ²	2.5mm ²
最大負載電流	Maximum load current	10A	10A
絕緣材料	Insulating Material	PA	PA
阻燃等級,符合UL94 Inflammability class acc. to UL94		V0	V0
額定電壓,UL/CUL Nominal voltage, UL/CUL		300V	300V
額定電流,UL/CUL Nominal current, UL/CUL		10A	10A



MPX221 Connector



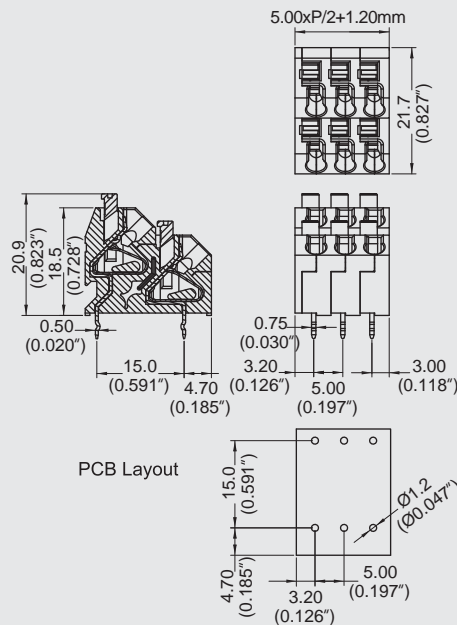
DIMENSIONS/POSITIONS

MPX221-500

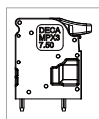
間距	Pitch	5.00mm
位數	Poles	2 ~ 48Poles
塑膠本體	Housing Material	PA 66
端蓋	Cover	PA 66
端子	Contact	Copper, Tin Plated
彈片	Spring	Stainless Strip Steel
電線線徑	Wire Size	14 ~ 22AWG
剝線長度	Wire Strip Length	9mm
PCB孔徑	PCB Hole Diameter	1.2mm
環境作業溫度	Operating Temperature	-40°C to +105°C

TECHNICAL DATA

連接符合標準 Connection in acc. with standard EN-VDE		
額定電流 I _n	Nominal Current I _n	10A
額定橫截面	Nominal Cross Section	2.5mm ²
最大負載電流	Maximum load current	10A
絕緣材料	Insulating Material	PA
阻燃等級,符合UL94 Inflammability class acc. to UL94		V0
額定電壓,UL/CUL Nominal voltage, UL/CUL		300V
額定電流,UL/CUL Nominal current, UL/CUL		10A



MPX312 PCB Spring Terminal Block



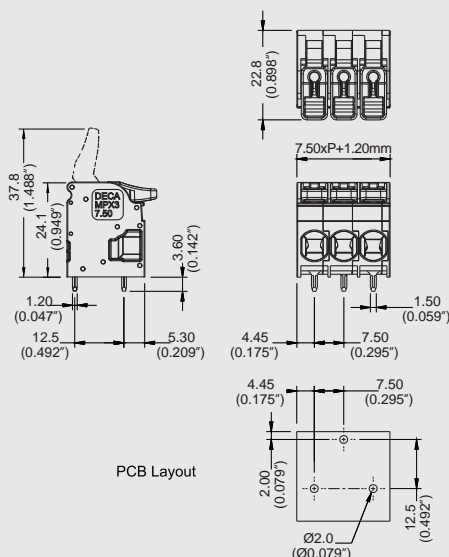
DIMENSIONS/POSITIONS

MPX312-750

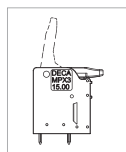
間距	Pitch	7.50mm
位數	Poles	2 ~ 12Poles
塑膠本體	Housing Material	PA 66
端子	Contact	Copper, Tin Plated
彈片	Spring	Stainless Strip Steel
抬起扭簧	Spring	Stainless Steel
端蓋	Cover	PA 66
壓板	Lever	PA 66
電線線徑	Wire Size	10 ~ 24AWG
剝線長度	Wire Strip Length	12mm
PCB孔徑	PCB Hole Diameter	2.0mm
環境作業溫度	Operating Temperature	-40°C to +105°C

TECHNICAL DATA

連接符合標準 Connection in acc. with standard EN-VDE		
額定電流 I _N	Nominal Current I _N	41A
額定橫截面	Nominal Cross Section	-
最大負載電流	Maximum load current	41A
絕緣材料	Insulating Material	PA
阻燃等級,符合UL94 Inflammability class acc. to UL94		V0
額定電壓,UL/CUL Nominal voltage, UL/CUL		600V
額定電流,UL/CUL Nominal current, UL/CUL		30A



MPX315 PCB Spring Type Terminal Block

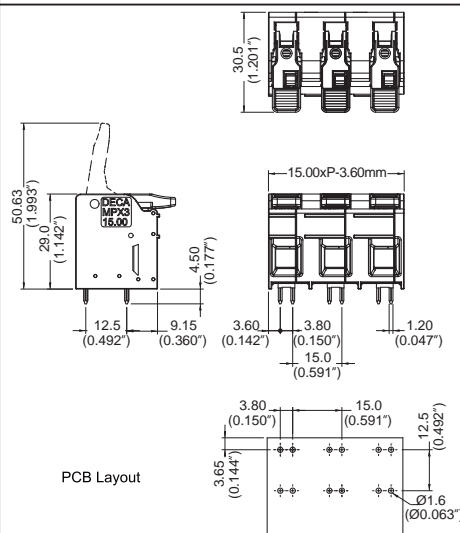
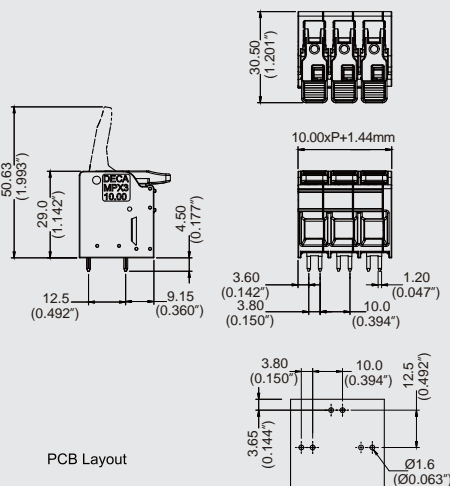


DIMENSIONS/POSITIONS

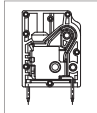
DIMENSIONS/POSITIONS		MPX315-100	MPX315-150
間距	Pitch	10.00mm	15.00mm
位數	Poles	2 ~ 8Poles	2 ~ 8Poles
塑膠本體	Housing Material	PA 66	PA 66
端子	Contact	Copper, Tin Plated	Copper, Tin Plated
彈片	Spring	Stainless Strip Steel	Stainless Strip Steel
抬起扭簧	Spring	Stainless Steel	Stainless Steel
端蓋	Cover	PA 66	PA 66
壓板	Lever	PA 66	PA 66
扣合件	Latch	PBT	PBT
扭簧	Spring	Stainless Steel	Stainless Steel
電線線徑	Wire Size	6 ~ 18AWG	4 ~ 18AWG
剝線長度	Wire Strip Length	17mm ~ 18mm	17mm ~ 18mm
PCB孔徑	PCB Hole Diameter	1.6mm	1.6mm
環境作業溫度	Operating Temperature	-40°C to +105°C	-40°C to +105°C

TECHNICAL DATA

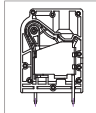
連接符合標準 Connection in acc. with standard EN-VDE			
額定電流 I _n	Nominal Current I _n	76A	76A
額定橫截面	Nominal Cross Section	-	16mm ²
最大負載電流	Maximum load current	76A	76A
絕緣材料	Insulating Material	PA	PA
阻燃等級,符合UL94 Inflammability class acc. to UL94		V0	V0
額定電壓,UL/CUL Nominal voltage, UL/CUL		600V	600V
額定電流,UL/CUL Nominal current, UL/CUL		51A	66A



MPX410 PCB Spring Type Terminal Block



MPX410-750



MPX410-100

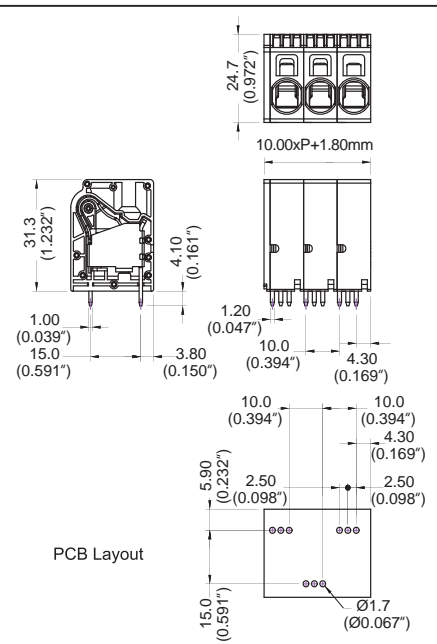
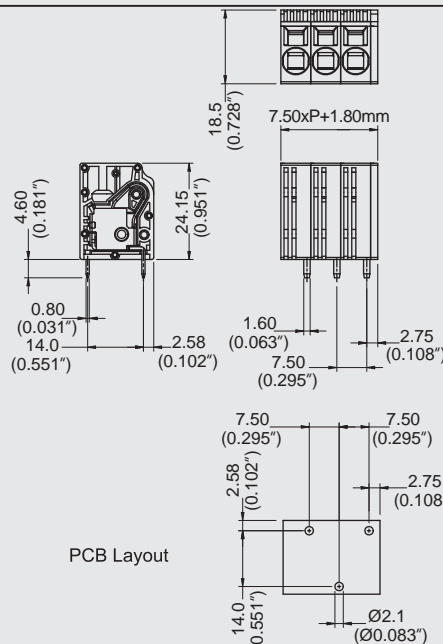


DIMENSIONS/POSITIONS

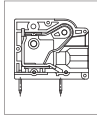
DIMENSIONS/POSITIONS		MPX410-750	MPX410-100
間距	Pitch	7.50mm	10.00mm
位數	Poles	2 ~ 12Poles	2 ~ 9Poles
塑膠本體	Housing Material	PA 66	PA 66
端蓋	Cover	PA 66	PA 66
端子	Contact	Copper, Tin Plated	Copper, Tin Plated
彈片	Spring	Stainless Strip Steel	Stainless Strip Steel
保護鐵片	Metal Frame	Steel, Zinc Plated	Steel, Zinc Plated
電線線徑	Wire Size	8 ~ 24AWG	4 ~ 20AWG
剝線長度	Wire Strip Length	15mm	18mm
PCB孔徑	PCB Hole Diameter	2.1mm	1.7mm
環境作業溫度	Operating Temperature	-40°C to +105°C	-40°C to +105°C

TECHNICAL DATA

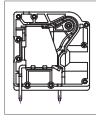
連接符合標準 Connection in acc. with standard EN-VDE			
額定電流 I _n	Nominal Current I _n	41A	76A
額定橫截面	Nominal Cross Section	-	-
最大負載電流	Maximum load current	41A	76A
絕緣材料	Insulating Material	PA	PA
阻燃等級,符合UL94 Inflammability class acc. to UL94		V0	V0
額定電壓,UL/CUL Nominal voltage, UL/CUL		600V	600V
額定電流,UL/CUL Nominal current, UL/CUL		36A	66A



MPX420 PCB Spring Type Terminal Block



MPX420-750



MPX420-100

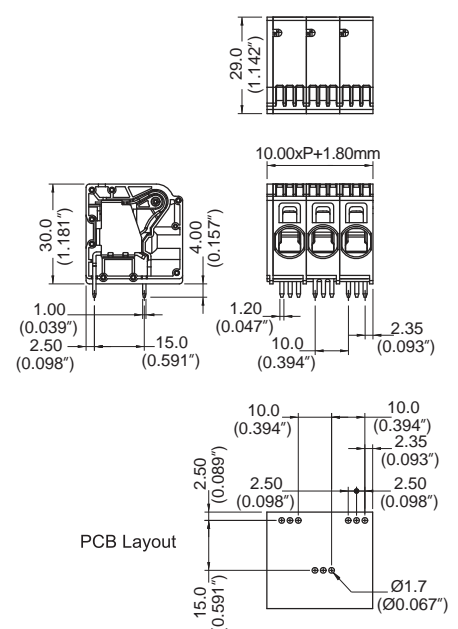
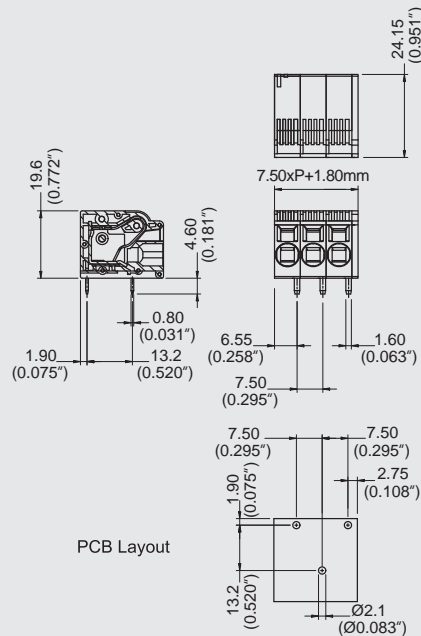


DIMENSIONS/POSITIONS

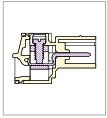
DIMENSIONS/POSITIONS		MPX420-750	MPX420-100
間距	Pitch	7.50mm	10.00mm
位數	Poles	2 ~ 12Poles	2 ~ 9Poles
塑膠本體	Housing Material	PA 66	PA 66
端蓋	Cover	PA 66	PA 66
端子	Contact	Copper, Tin Plated	Copper, Tin Plated
彈片	Spring	Stainless Strip Steel	Stainless Strip Steel
保護鐵片	Metal Frame	Steel, Zinc Plated	Steel, Zinc Plated
電線線徑	Wire Size	8 ~ 24AWG	4 ~ 20AWG
剝線長度	Wire Strip Length	15mm	18mm
PCB孔徑	PCB Hole Diameter	2.1mm	1.7mm
環境作業溫度	Operating Temperature	-40°C to +105°C	-40°C to +105°C

TECHNICAL DATA

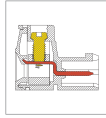
連接符合標準 Connection in acc. with standard EN-VDE			
額定電流 I _n	Nominal Current I _n	41A	76A
額定橫截面	Nominal Cross Section	-	-
最大負載電流	Maximum load current	41A	76A
絕緣材料	Insulating Material	PA	PA
阻燃等級,符合UL94 Inflammability class acc. to UL94		V0	V0
額定電壓,UL/CUL Nominal voltage, UL/CUL		600V	600V
額定電流,UL/CUL Nominal current, UL/CUL		36A	66A



MPZ100 PCB Connector



MPZ100-381



MPZ100-508

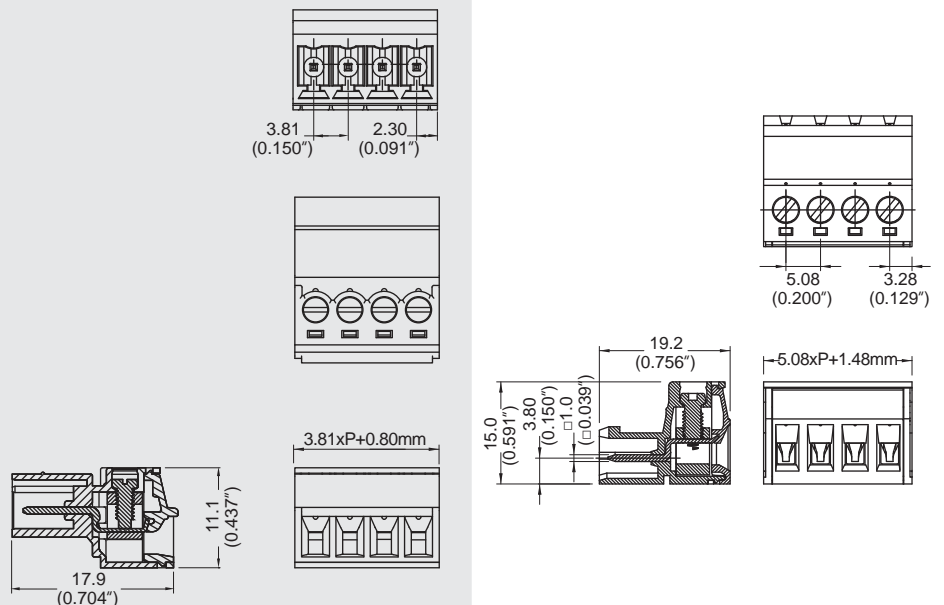


DIMENSIONS/POSITIONS

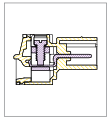
DIMENSIONS/POSITIONS		MPZ100-381	MPZ100-508
間距	Pitch	3.81mm	5.08mm
位數	Poles	2 ~ 20Poles	2 ~ 16Poles
塑膠本體	Housing Material	PA 66	PA 66
壓線圈	Cage Clamp	Brass, Ni Plated	Brass, Ni Plated
端子	Contact	Brass, Tin Plated	Brass, Tin Plated
螺紋	Screw Thread	M2, Ni Plated	M2.6, Steel, Zinc Plated
電線線徑	Wire Size	16 ~ 28AWG	12 ~ 24AWG
剝線長度	Wire Strip Length	7mm	7mm
最大緊固扭矩	Tightening Torque, Max.	2.2 Lb-in	5.3 Lb-in
環境作業溫度	Operating Temperature	-40°C to +105°C	-40°C to +105°C

TECHNICAL DATA

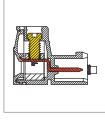
連接符合標準 Connection in acc. with standard EN-VDE			
額定電流 I _n	Nominal Current I _n	8A	12A
額定橫截面	Nominal Cross Section	2.5mm ²	2.5mm ²
最大負載電流	Maximum load current	8A	12A
絕緣材料	Insulating Material	PA	PA
阻燃等級,符合UL94 Inflammability class acc. to UL94		V0	V0
額定電壓,UL/CUL Nominal voltage, UL/CUL		300V	300V
額定電流,UL/CUL Nominal current, UL/CUL		8A	12A



MPZ101 PCB Connector, with Flanges



MPZ101-381



MPZ101-508

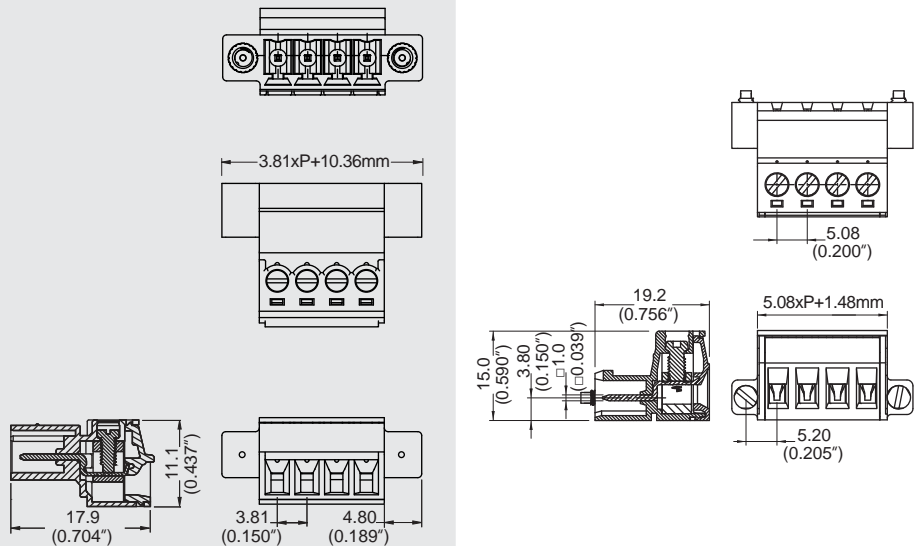


DIMENSIONS/POSITIONS

DIMENSIONS/POSITIONS		MPZ101-381	MPZ101-508
間距	Pitch	3.81mm	5.08mm
位數	Poles	2 ~ 20Poles	2 ~ 16Poles
塑膠本體	Housing Material	PA 66	PA 66
壓線圈	Cage Clamp	Brass, Ni Plated	Brass, Ni Plated
端子	Contact	Brass, Tin Plated	Brass, Tin Plated
螺紋	Screw Thread	M2, Ni Plated	M2.6, Steel, Zinc Plated
電線線徑	Wire Size	16 ~ 28AWG	12 ~ 24AWG
剝線長度	Wire Strip Length	7mm	7mm
最大緊固扭矩	Tightening Torque, Max.	2.2 Lb-in	5.3 Lb-in
環境作業溫度	Operating Temperature	-40°C to +105°C	-40°C to +105°C

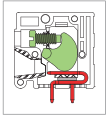
TECHNICAL DATA

TECHNICAL DATA		MPZ101-381	MPZ101-508
連接符合標準	Connection in acc. with standard EN-VDE		
額定電流 I _n	Nominal Current I _n	8A	12A
額定橫截面	Nominal Cross Section	2.5mm ²	2.5mm ²
最大負載電流	Maximum load current	8A	12A
絕緣材料	Insulating Material	PA	PA
阻燃等級,符合UL94	Inflammability class acc. to UL94	V0	V0
額定電壓,UL/CUL	Nominal voltage, UL/CUL	300V	300V
額定電流,UL/CUL	Nominal current, UL/CUL	8A	12A



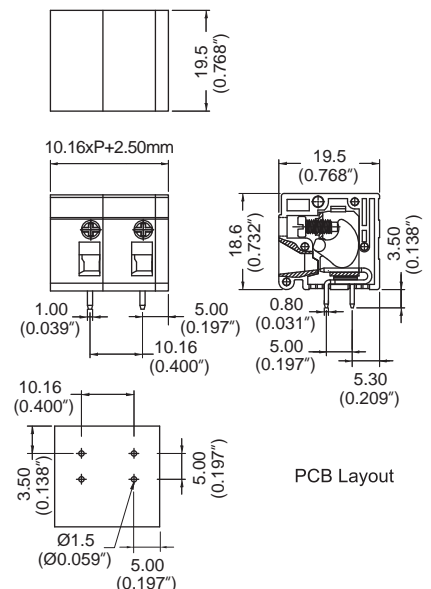
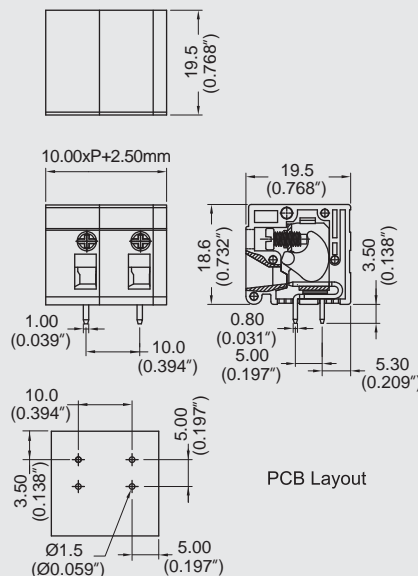
MPZ

MT300 PCB Terminal Block

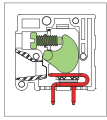


DIMENSIONS/POSITIONS		MT300-100	MT300-016
間距	Pitch	10.00mm	10.16mm
位數	Poles	2 ~ 16Poles	2 ~ 16Poles
塑膠本體	Housing Material	PA 66	PA 66
翹板	Pressure Plate	Steel, Zinc Plated	Steel, Zinc Plated
壓線圈	Cage Clamp	Steel, Zinc Plated	Steel, Zinc Plated
端子	Contact	Brass, Tin Plated	Brass, Tin Plated
螺紋	Screw Thread	M2.6, Steel, Zinc Plated	M2.6, Steel, Zinc Plated
電線線徑	Wire Size	12 ~ 24AWG	12 ~ 24AWG
剝線長度	Wire Strip Length	9mm	9mm
PCB孔徑	PCB Hole Diameter	1.5mm	1.5mm
最大緊固扭矩	Tightening Torque, Max.	4.5 Lb-in	4.5 Lb-in
環境作業溫度	Operating Temperature	-40°C to +120°C	-40°C to +120°C

TECHNICAL DATA		MT300-100	MT300-016
連接符合標準 Connection in acc. with standard EN-VDE			
額定電流 I _N	Nominal Current I _N	20A	20A
額定橫截面	Nominal Cross Section	-	-
最大負載電流	Maximum load current	20A	20A
絕緣材料	Insulating Material	PA	PA
阻燃等級,符合UL94 Inflammability class acc. to UL94		V0	V0
額定電壓,UL/CUL Nominal voltage, UL/CUL		300V	300V
額定電流,UL/CUL Nominal current, UL/CUL		20A	20A



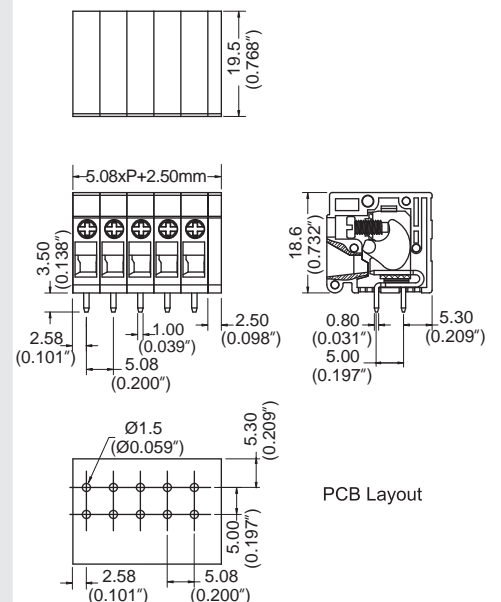
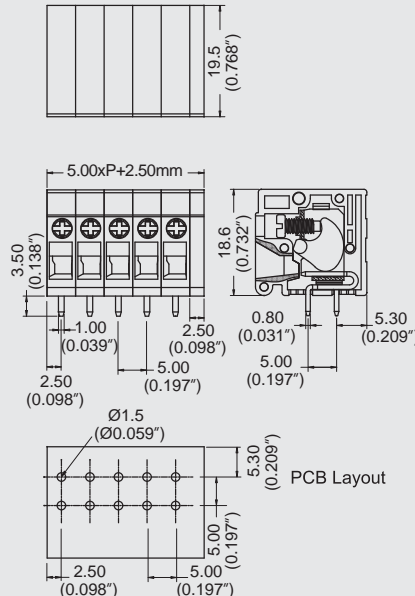
MT300 PCB Terminal Block



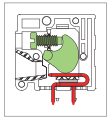
DIMENSIONS/POSITIONS		MT300-500	MT300-508
間距	Pitch	5.00mm	5.08mm
位數	Poles	2 ~ 24Poles	2 ~ 24Poles
塑膠本體	Housing Material	PA 66	PA 66
翹板	Pressure Plate	Steel, Zinc Plated	Steel, Zinc Plated
壓線圈	Cage Clamp	Steel, Zinc Plated	Steel, Zinc Plated
端子	Contact	Brass, Tin Plated	Brass, Tin Plated
螺紋	Screw Thread	M2.6, Steel, Zinc Plated	M2.6, Steel, Zinc Plated
電線線徑	Wire Size	12 ~ 24AWG	12 ~ 24AWG
剝線長度	Wire Strip Length	9mm	9mm
PCB孔徑	PCB Hole Diameter	1.5mm	1.5mm
最大緊固扭矩	Tightening Torque, Max.	4.5 Lb-in	4.5 Lb-in
環境作業溫度	Operating Temperature	-40°C to +120°C	-40°C to +120°C

TECHNICAL DATA

連接符合標準 Connection in acc. with standard EN-VDE			
額定電流 I _n	Nominal Current I _n	20A	20A
額定橫截面	Nominal Cross Section	-	-
最大負載電流	Maximum load current	20A	20A
絕緣材料	Insulating Material	PA	PA
阻燃等級,符合UL94 Inflammability class acc. to UL94		V0	V0
額定電壓,UL/CUL Nominal voltage, UL/CUL		300V	300V
額定電流,UL/CUL Nominal current, UL/CUL		20A	20A



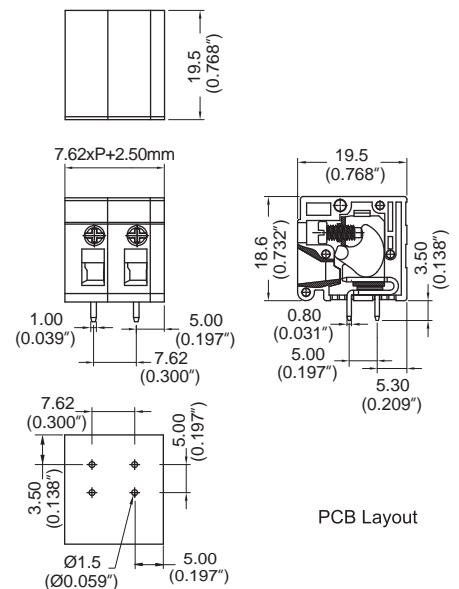
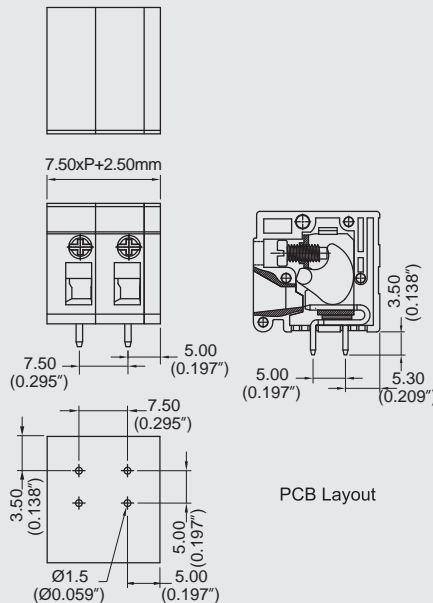
MT300 PCB Terminal Block



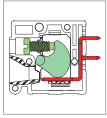
DIMENSIONS/POSITIONS		MT300-750	MT300-762
間距	Pitch	7.50mm	7.62mm
位數	Poles	2 ~ 16Poles	2 ~ 16Poles
塑膠本體	Housing Material	PA 66	PA 66
翹板	Pressure Plate	Steel, Zinc Plated	Steel, Zinc Plated
壓線圈	Cage Clamp	Steel, Zinc Plated	Steel, Zinc Plated
端子	Contact	Brass, Tin Plated	Brass, Tin Plated
螺紋	Screw Thread	M2.6, Steel, Zinc Plated	M2.6, Steel, Zinc Plated
電線線徑	Wire Size	12 ~ 24AWG	12 ~ 24AWG
剝線長度	Wire Strip Length	9mm	9mm
PCB孔徑	PCB Hole Diameter	1.5mm	1.5mm
最大緊固扭矩	Tightening Torque, Max.	4.5 Lb-in	4.5 Lb-in
環境作業溫度	Operating Temperature	-40°C to +120°C	-40°C to +120°C

TECHNICAL DATA

連接符合標準 Connection in acc. with standard EN-VDE			
額定電流 I _N	Nominal Current I _N	20A	20A
額定橫截面	Nominal Cross Section	-	-
最大負載電流	Maximum load current	20A	20A
絕緣材料	Insulating Material	PA	PA
阻燃等級,符合UL94 Inflammability class acc. to UL94		V0	V0
額定電壓,UL/CUL Nominal voltage, UL/CUL		300V	300V
額定電流,UL/CUL Nominal current, UL/CUL		20A	20A



MT310 PCB Terminal Block

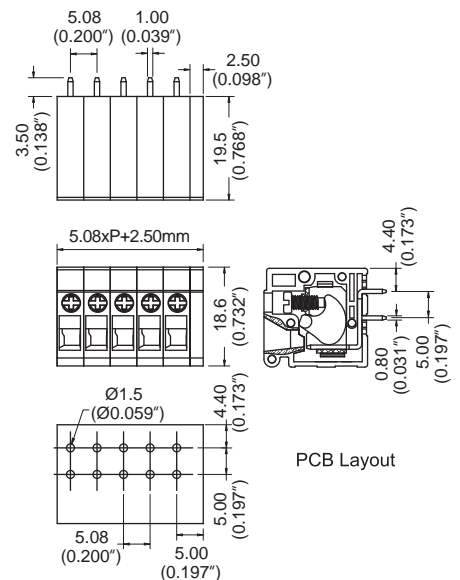
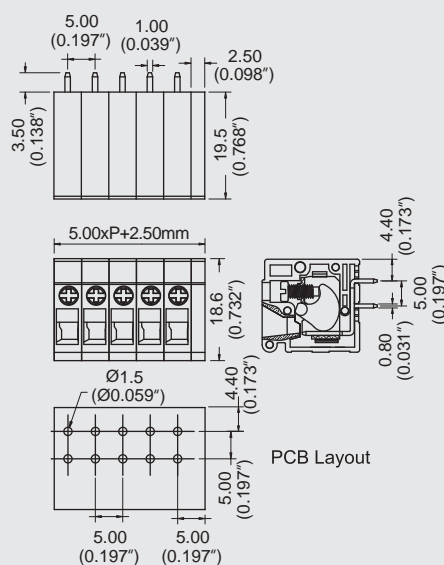


DIMENSIONS/POSITIONS

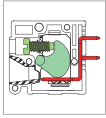
DIMENSIONS/POSITIONS		MT310-500	MT310-508
間距	Pitch	5.00mm	5.08mm
位數	Poles	2 ~ 24Poles	2 ~ 24Poles
塑膠本體	Housing Material	PA 66	PA 66
翹板	Pressure Plate	Steel, Zinc Plated	Steel, Zinc Plated
壓線圈	Cage Clamp	Steel, Zinc Plated	Steel, Zinc Plated
端子	Contact	Brass, Tin Plated	Brass, Tin Plated
螺紋	Screw Thread	M2.6, Steel, Zinc Plated	M2.6, Steel, Zinc Plated
電線線徑	Wire Size	12 ~ 24AWG	12 ~ 24AWG
剝線長度	Wire Strip Length	9mm	9mm
PCB孔徑	PCB Hole Diameter	1.5mm	1.5mm
最大緊固扭矩	Tightening Torque, Max.	4.5 Lb-in	4.5 Lb-in
環境作業溫度	Operating Temperature	-40°C to +120°C	-40°C to +120°C

TECHNICAL DATA

連接符合標準 Connection in acc. with standard EN-VDE			
額定電流 I _N	Nominal Current I _N	20A	20A
額定橫截面	Nominal Cross Section	-	-
最大負載電流	Maximum load current	20A	20A
絕緣材料	Insulating Material	PA	PA
阻燃等級,符合UL94 Inflammability class acc. to UL94		V0	V0
額定電壓,UL/CUL Nominal voltage, UL/CUL		300V	300V
額定電流,UL/CUL Nominal current, UL/CUL		20A	20A

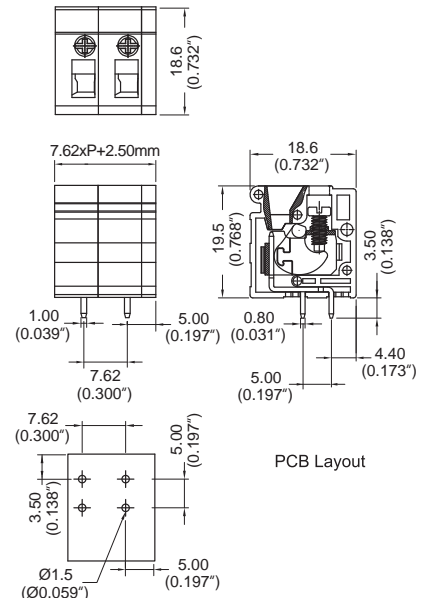
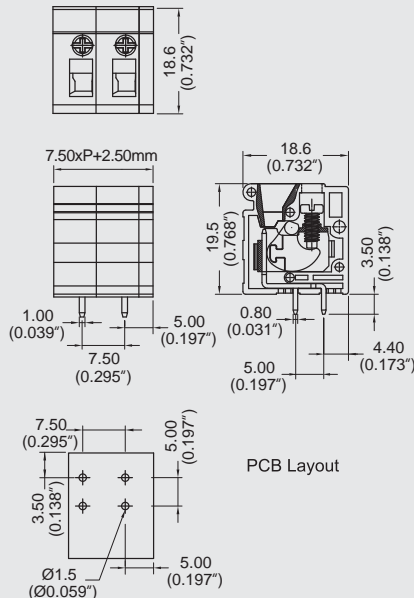


MT310 PCB Terminal Block

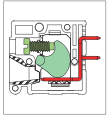


DIMENSIONS/POSITIONS		MT310-750	MT310-762
間距	Pitch	7.50mm	7.62mm
位數	Poles	2 ~ 16Poles	2 ~ 16Poles
塑膠本體	Housing Material	PA 66	PA 66
翹板	Pressure Plate	Steel, Zinc Plated	Steel, Zinc Plated
壓線圈	Cage Clamp	Steel, Zinc Plated	Steel, Zinc Plated
端子	Contact	Brass, Tin Plated	Brass, Tin Plated
螺紋	Screw Thread	M2.6, Steel, Zinc Plated	M2.6, Steel, Zinc Plated
電線線徑	Wire Size	12 ~ 24AWG	12 ~ 24AWG
剝線長度	Wire Strip Length	9mm	9mm
PCB孔徑	PCB Hole Diameter	1.5mm	1.5mm
最大緊固扭矩	Tightening Torque, Max.	4.5 Lb-in	4.5 Lb-in
環境作業溫度	Operating Temperature	-40°C to +120°C	-40°C to +120°C

TECHNICAL DATA		MT310-750	MT310-762
連接符合標準 Connection in acc. with standard EN-VDE			
額定電流 I_n	Nominal Current I_n	20A	20A
額定橫截面	Nominal Cross Section	-	-
最大負載電流	Maximum load current	20A	20A
絕緣材料	Insulating Material	PA	PA
阻燃等級,符合UL94 Inflammability class acc. to UL94		V0	V0
額定電壓,UL/CUL Nominal voltage, UL/CUL		300V	300V
額定電流,UL/CUL Nominal current, UL/CUL		20A	20A



MT310 PCB Terminal Block

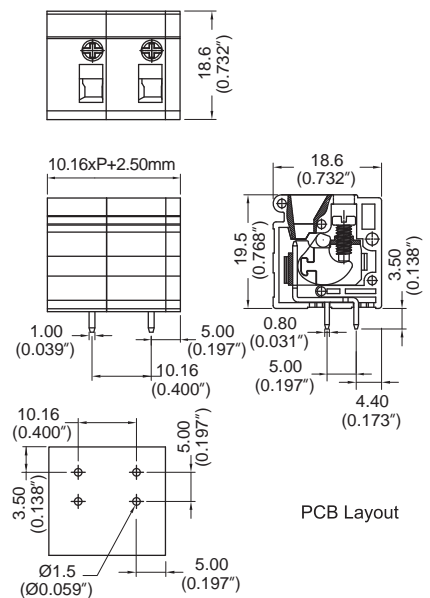
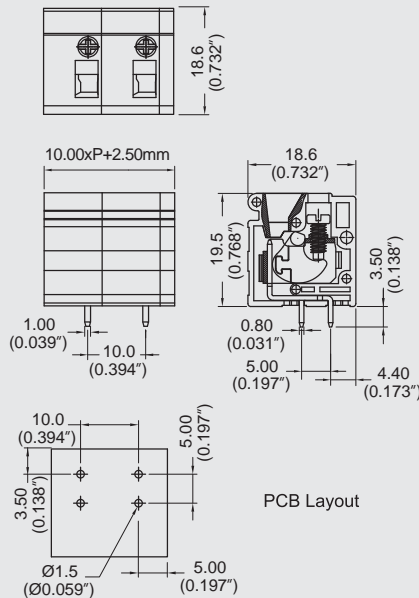


DIMENSIONS/POSITIONS

DIMENSIONS/POSITIONS		MT310-100	MT310-016
間距	Pitch	10.00mm	10.16mm
位數	Poles	2 ~ 16Poles	2 ~ 16Poles
塑膠本體	Housing Material	PA 66	PA 66
翹板	Pressure Plate	Steel, Zinc Plated	Brass, Tin Plated
壓線圈	Cage Clamp	Steel, Zinc Plated	Steel, Zinc Plated
端子	Contact	Brass, Tin Plated	Brass, Tin Plated
螺紋	Screw Thread	M2.6, Steel, Zinc Plated	M2.6, Steel, Zinc Plated
電線線徑	Wire Size	12 ~ 24AWG	12 ~ 24AWG
剝線長度	Wire Strip Length	9mm	9mm
PCB孔徑	PCB Hole Diameter	1.5mm	1.5mm
最大緊固扭矩	Tightening Torque, Max.	4.5 Lb-in	4.5 Lb-in
環境作業溫度	Operating Temperature	-40°C to +120°C	-40°C to +120°C

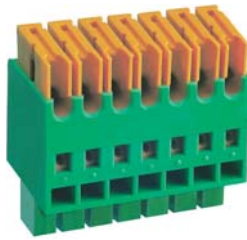
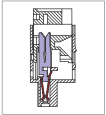
TECHNICAL DATA

連接符合標準 Connection in acc. with standard EN-VDE			
額定電流 I _n	Nominal Current I _n	20A	20A
額定橫截面	Nominal Cross Section	-	-
最大負載電流	Maximum load current	20A	20A
絕緣材料	Insulating Material	PA	PA
阻燃等級,符合UL94 Inflammability class acc. to UL94		V0	V0
額定電壓,UL/CUL Nominal voltage, UL/CUL		300V	300V
額定電流,UL/CUL Nominal current, UL/CUL		20A	20A



MT

MT420 PCB Connector



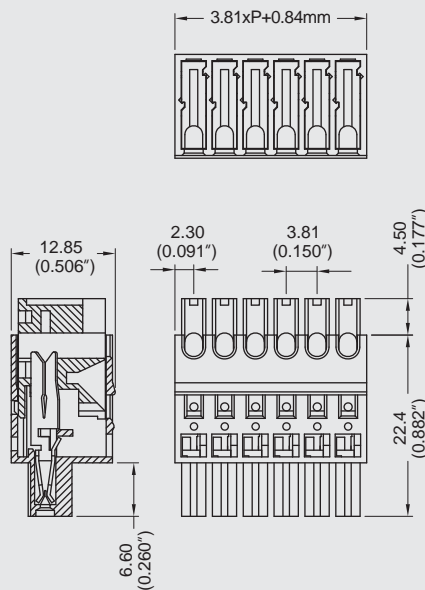
DIMENSIONS/POSITIONS

MT420-381

間距	Pitch	3.81mm
位數	Poles	2 ~ 18Poles
塑膠本體	Housing Material	PA 66
夾片	Contact	Phosphor Bronze, Tin Plated
電線線徑	Wire Size	18 ~ 20AWG
環境作業溫度	Operating Temperature	-40°C to +105°C

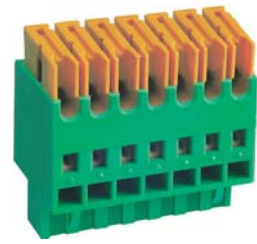
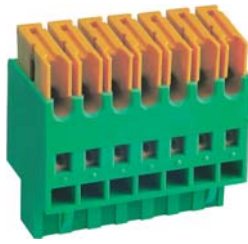
TECHNICAL DATA

連接符合標準 Connection in acc. with standard EN-VDE		
額定電流 I _n Nominal Current I _n		10A
額定橫截面 Nominal Cross Section		-
最大負載電流 Maximum load current		10A
絕緣材料 Insulating Material		PA
阻燃等級,符合UL94 Inflammability class acc. to UL94		V0
額定電壓,UL/CUL Nominal voltage, UL/CUL		300V
額定電流,UL/CUL Nominal current, UL/CUL		10A



MT

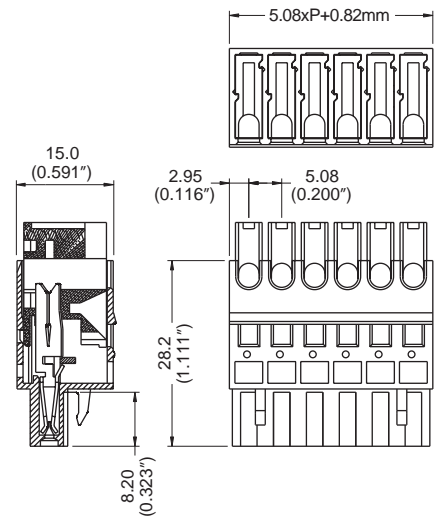
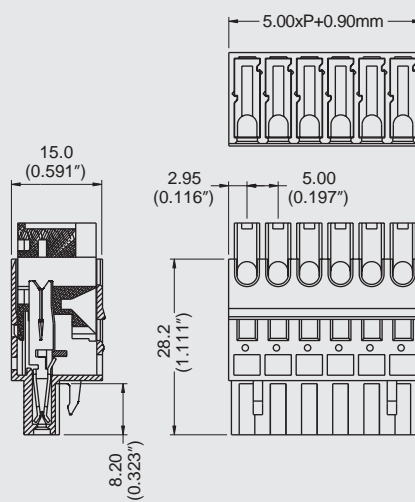
MT420 PCB Connector



DIMENSIONS/POSITIONS		MT420-500	MT420-508
間距	Pitch	5.00mm	5.08mm
位數	Poles	2 ~ 18Poles	2 ~ 18Poles
塑膠本體	Housing Material	PA 66	PA 66
夾片	Contact	Phosphor Bronze, Tin Plated	Phosphor Bronze, Tin Plated
電線線徑	Wire Size	18 ~ 20AWG	18 ~ 20AWG
環境作業溫度	Operating Temperature	-40°C to +105°C	-40°C to +105°C

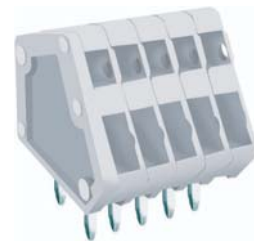
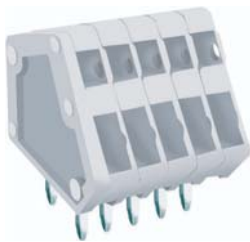
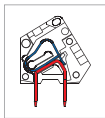
TECHNICAL DATA

連接符合標準 Connection in acc. with standard EN-VDE			
額定電流 I _n	Nominal Current I _n	10A	10A
額定橫截面	Nominal Cross Section	-	-
最大負載電流	Maximum load current	10A	10A
絕緣材料	Insulating Material	PA	PA
阻燃等級,符合UL94 Inflammability class acc. to UL94		V0	V0
額定電壓,UL/CUL Nominal voltage, UL/CUL		300V	300V
額定電流,UL/CUL Nominal current, UL/CUL		10A	10A



MT

MWX100 PCB Spring Type Terminal Block

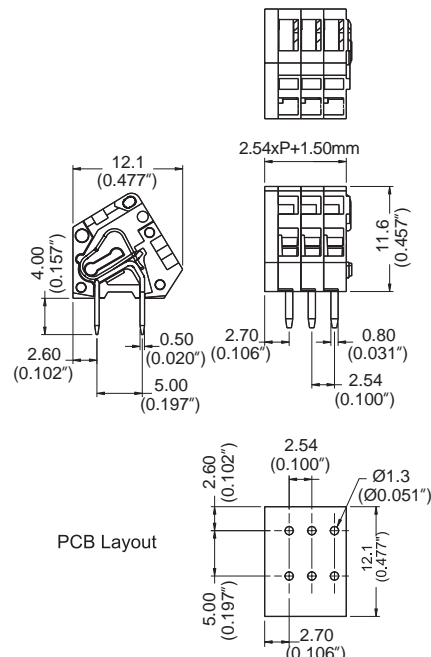
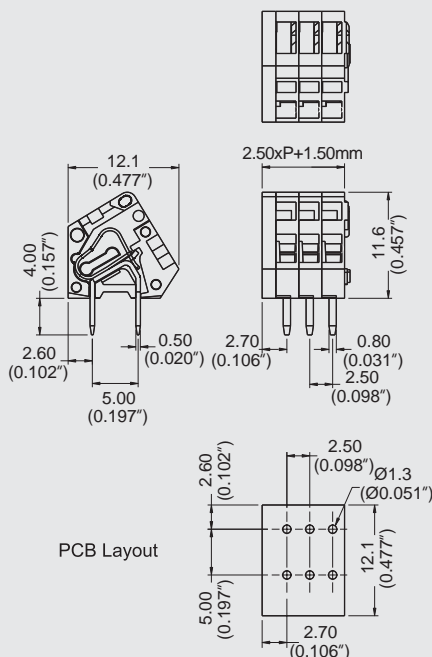


DIMENSIONS/POSITIONS

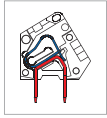
DIMENSIONS/POSITIONS		MWX100-250	MWX100-254
間距	Pitch	2.50mm	2.54mm
位數	Poles	2 ~ 24Poles	2 ~ 24Poles
塑膠本體	Housing Material	PA 66	PA 66
端蓋	Cover	PA 66	PA 66
端子	Contact	Brass, Tin Plated	Brass, Tin Plated
彈片	Spring	Stainless Strip Steel	Stainless Strip Steel
電線線徑	Wire Size	20 ~ 28AWG	20 ~ 28AWG
剝線長度	Wire Strip Length	5mm ~ 6mm	5mm ~ 6mm
PCB孔徑	PCB Hole Diameter	1.3mm	1.3mm
環境作業溫度	Operating Temperature	-40°C to +105°C	-40°C to +105°C

TECHNICAL DATA

連接符合標準 Connection in acc. with standard EN-VDE			
額定電流 I _n	Nominal Current I _n	6A	6A
額定橫截面	Nominal Cross Section	0.5mm ²	0.5mm ²
最大負載電流	Maximum load current	6A	6A
絕緣材料	Insulating Material	PA	PA
阻燃等級,符合UL94 Inflammability class acc. to UL94		V0	V0
額定電壓,UL/CUL Nominal voltage, UL/CUL		150V	150V
額定電流,UL/CUL Nominal current, UL/CUL		4A	4A



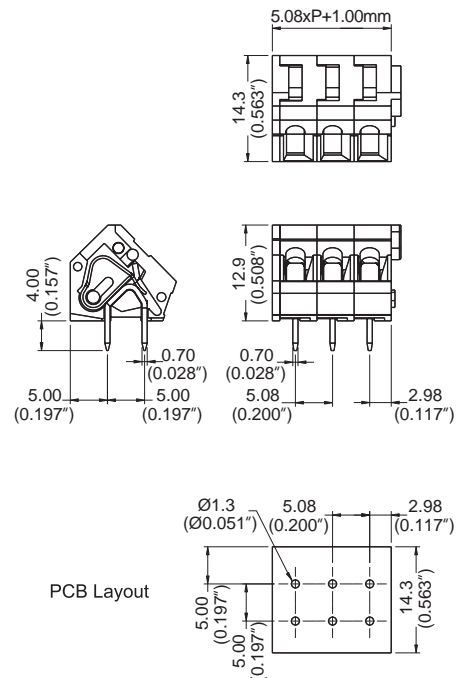
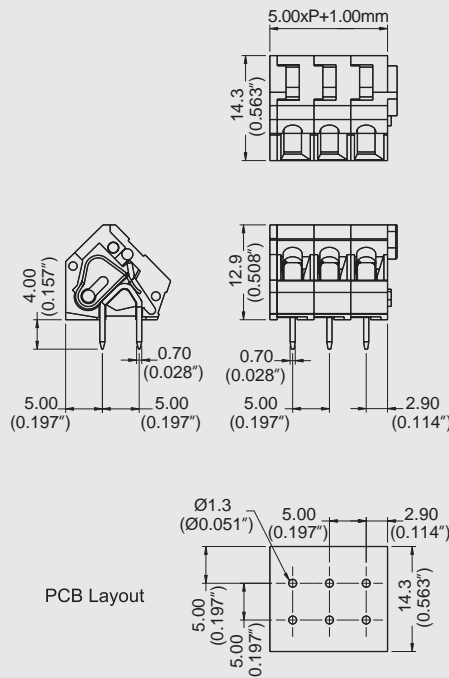
MWX100 PCB Spring Type Terminal Block



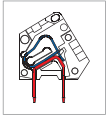
DIMENSIONS/POSITIONS		MWX100-500	MWX100-508
間距	Pitch	5.00mm	5.08mm
位數	Poles	2 ~ 24Poles	2 ~ 24Poles
塑膠本體	Housing Material	PA 66	PA 66
端蓋	Cover	PA 66	PA 66
端子	Contact	Brass, Tin Plated	Brass, Tin Plated
彈片	Spring	Stainless Strip Steel	Stainless Strip Steel
電線線徑	Wire Size	14 ~ 28AWG	14 ~ 28AWG
剝線長度	Wire Strip Length	5mm ~ 6mm	5mm ~ 6mm
PCB孔徑	PCB Hole Diameter	1.3mm	1.3mm
環境作業溫度	Operating Temperature	-40°C to +105°C	-40°C to +105°C

TECHNICAL DATA

連接符合標準 Connection in acc. with standard EN-VDE			
額定電流 I _n	Nominal Current I _n	16A	16A
額定橫截面	Nominal Cross Section	-	-
最大負載電流	Maximum load current	16A	16A
絕緣材料	Insulating Material	PA	PA
阻燃等級,符合UL94 Inflammability class acc. to UL94		V0	V0
額定電壓,UL/CUL Nominal voltage, UL/CUL		300V	300V
額定電流,UL/CUL Nominal current, UL/CUL		16A	16A



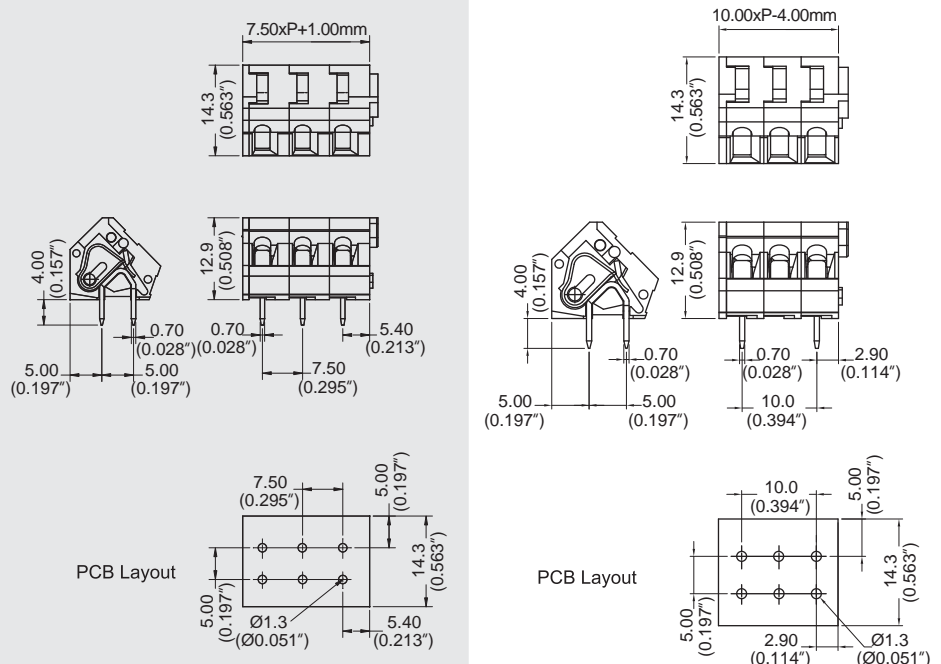
MWX100 PCB Spring Type Terminal Block



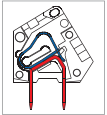
DIMENSIONS/POSITIONS		MWX100-750	MWX100-100
間距	Pitch	7.50mm	10.00mm
位數	Poles	2 ~ 20Poles	2 ~ 20Poles
塑膠本體	Housing Material	PA 66	PA 66
端蓋	Cover	PA 66	PA 66
端子	Contact	Brass, Tin Plated	Brass, Tin Plated
彈片	Spring	Stainless Strip Steel	Stainless Strip Steel
電線線徑	Wire Size	14 ~ 28AWG	14 ~ 28AWG
剝線長度	Wire Strip Length	5mm ~ 6mm	5mm ~ 6mm
PCB孔徑	PCB Hole Diameter	1.3mm	1.3mm
環境作業溫度	Operating Temperature	-40°C to +105°C	-40°C to +105°C

TECHNICAL DATA

連接符合標準 Connection in acc. with standard EN-VDE		
額定電流 I _n	Nominal Current I _n	16A
額定橫截面	Nominal Cross Section	-
最大負載電流	Maximum load current	16A
絕緣材料	Insulating Material	PA
阻燃等級,符合UL94 Inflammability class acc. to UL94		V0
額定電壓,UL/CUL Nominal voltage, UL/CUL		300V
額定電流,UL/CUL Nominal current, UL/CUL		16A



MWX100 PCB Spring Type Terminal Block



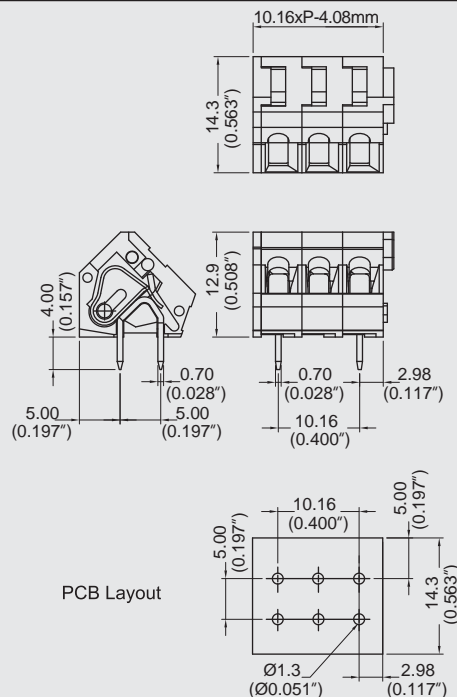
DIMENSIONS/POSITIONS

MWX100-016

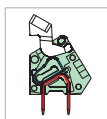
間距	Pitch	10.16mm
位數	Poles	2 ~ 20Poles
塑膠本體	Housing Material	PA 66
端蓋	Cover	PA 66
端子	Contact	Brass, Tin Plated
彈片	Spring	Stainless Strip Steel
電線線徑	Wire Size	14 ~ 28AWG
剝線長度	Wire Strip Length	5mm ~ 6mm
PCB孔徑	PCB Hole Diameter	1.3mm
環境作業溫度	Operating Temperature	-40°C to +105°C

TECHNICAL DATA

連接符合標準 Connection in acc. with standard EN-VDE		
額定電流 I_n	Nominal Current I_n	16A
額定橫截面	Nominal Cross Section	-
最大負載電流	Maximum load current	16A
絕緣材料	Insulating Material	PA
阻燃等級,符合UL94 Inflammability class acc. to UL94		V0
額定電壓,UL/CUL Nominal voltage, UL/CUL		300V
額定電流,UL/CUL Nominal current, UL/CUL		16A



MWX101 PCB Spring Type Terminal Block

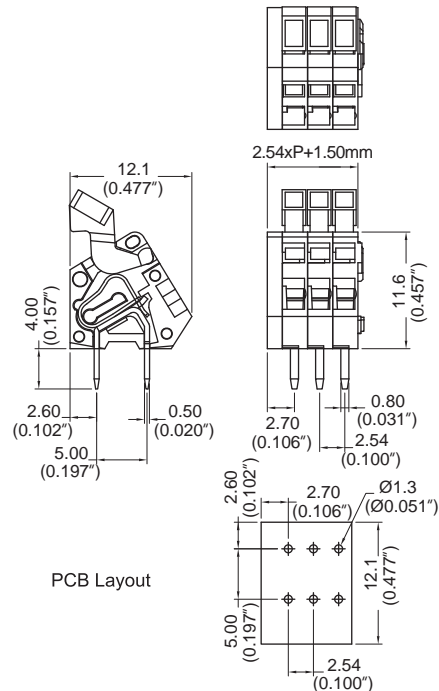
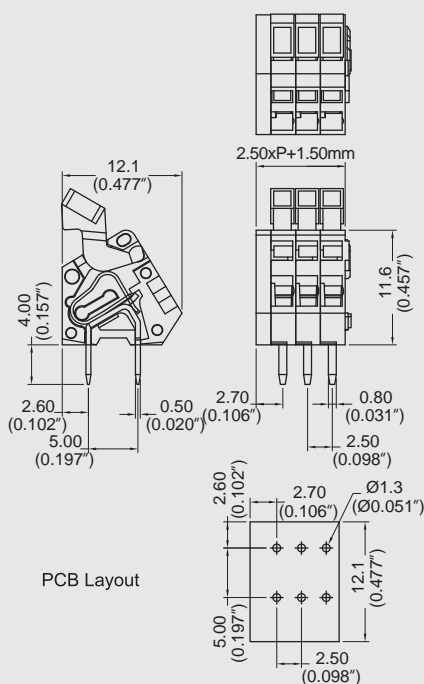


DIMENSIONS/POSITIONS

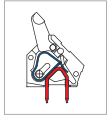
DIMENSIONS/POSITIONS		MWX101-250	MWX101-254
間距	Pitch	2.50mm	2.54mm
位數	Poles	2 ~ 24Poles	2 ~ 24Poles
塑膠本體	Housing Material	PA 66	PA 66
端蓋	Cover	PA 66	PA 66
端子	Contact	Brass, Tin Plated	Brass, Tin Plated
彈片	Spring	Stainless Strip Steel	Stainless Strip Steel
電線線徑	Wire Size	20 ~ 28AWG	20 ~ 28AWG
剝線長度	Wire Strip Length	5mm ~ 6mm	5mm ~ 6mm
PCB孔徑	PCB Hole Diameter	1.3mm	1.3mm
環境作業溫度	Operating Temperature	-40°C to +105°C	-40°C to +105°C

TECHNICAL DATA

連接符合標準	Connection in acc. with standard EN-VDE		
額定電流 I _n	Nominal Current I _n	6A	6A
額定橫截面	Nominal Cross Section	0.5mm ²	0.5mm ²
最大負載電流	Maximum load current	6A	6A
絕緣材料	Insulating Material	PA	PA
阻燃等級,符合UL94	Inflammability class acc. to UL94	V0	V0
額定電壓,UL/CUL	Nominal voltage, UL/CUL	150V	150V
額定電流,UL/CUL	Nominal current, UL/CUL	4A	4A



MWX101 PCB Spring Type Terminal Block

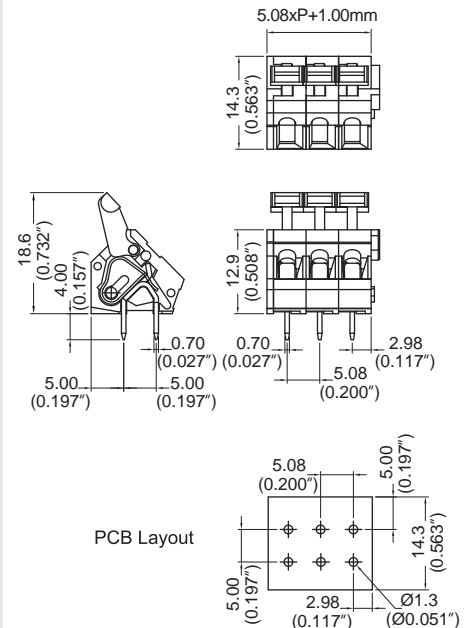
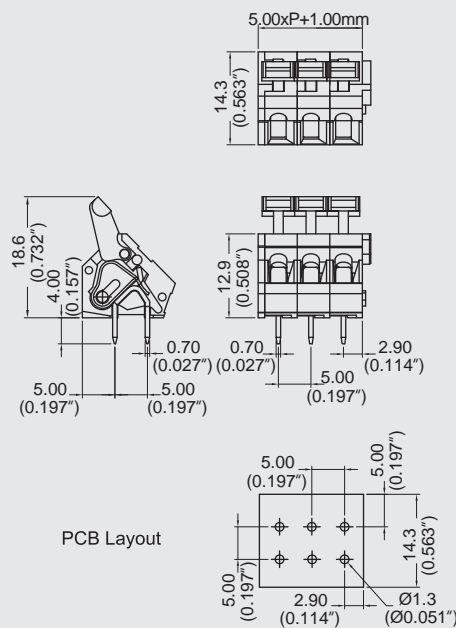


DIMENSIONS/POSITIONS

DIMENSIONS/POSITIONS		MWX101-500	MWX101-508
間距	Pitch	5.00mm	5.08mm
位數	Poles	2 ~ 24Poles	2 ~ 24Poles
塑膠本體	Housing Material	PA 66	PA 66
端蓋	Cover	PA 66	PA 66
端子	Contact	Brass, Tin Plated	Brass, Tin Plated
彈片	Spring	Stainless Strip Steel	Stainless Strip Steel
電線線徑	Wire Size	14 ~ 28AWG	14 ~ 28AWG
剝線長度	Wire Strip Length	5mm ~ 6mm	5mm ~ 6mm
PCB孔徑	PCB Hole Diameter	1.3mm	1.3mm
環境作業溫度	Operating Temperature	-40°C to +105°C	-40°C to +105°C

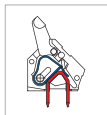
TECHNICAL DATA

連接符合標準 Connection in acc. with standard EN-VDE			
額定電流 I _n	Nominal Current I _n	16A	16A
額定橫截面	Nominal Cross Section	-	-
最大負載電流	Maximum load current	16A	16A
絕緣材料	Insulating Material	PA	PA
阻燃等級,符合UL94 Inflammability class acc. to UL94		V0	V0
額定電壓,UL/CUL Nominal voltage, UL/CUL		300V	300V
額定電流,UL/CUL Nominal current, UL/CUL		16A	16A



MWX

MWX101 PCB Spring Type Terminal Block

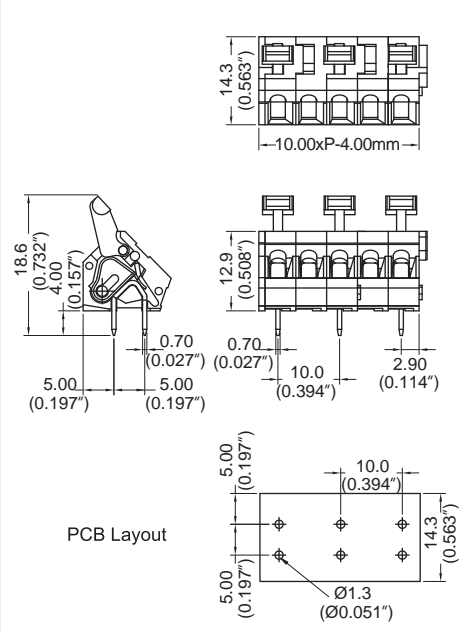
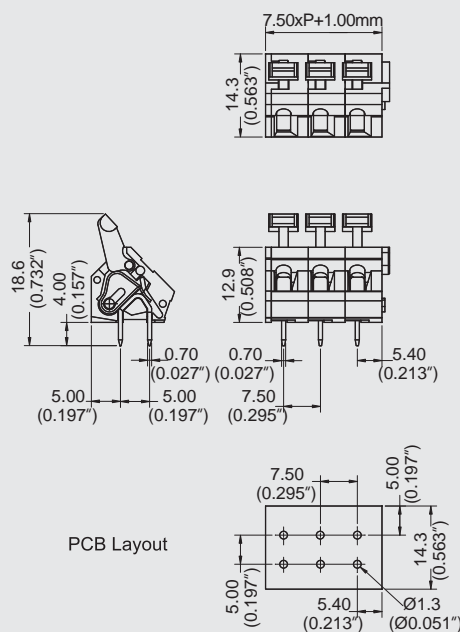


DIMENSIONS/POSITIONS

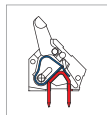
DIMENSIONS/POSITIONS		MWX101-750	MWX101-100
間距	Pitch	7.50mm	10.00mm
位數	Poles	2 ~ 20Poles	2 ~ 20Poles
塑膠本體	Housing Material	PA 66	PA 66
端蓋	Cover	PA 66	PA 66
端子	Contact	Brass, Tin Plated	Brass, Tin Plated
彈片	Spring	Stainless Strip Steel	Stainless Strip Steel
電線線徑	Wire Size	14 ~ 28AWG	14 ~ 28AWG
剝線長度	Wire Strip Length	5mm ~ 6mm	5mm ~ 6mm
PCB孔徑	PCB Hole Diameter	1.3mm	1.3mm
環境作業溫度	Operating Temperature	-40°C to +105°C	-40°C to +105°C

TECHNICAL DATA

連接符合標準	Connection in acc. with standard EN-VDE		
額定電流 I _n	Nominal Current I _n	16A	16A
額定橫截面	Nominal Cross Section	-	-
最大負載電流	Maximum load current	16A	16A
絕緣材料	Insulating Material	PA	PA
阻燃等級,符合UL94	Inflammability class acc. to UL94	V0	V0
額定電壓,UL/CUL	Nominal voltage, UL/CUL	300V	300V
額定電流,UL/CUL	Nominal current, UL/CUL	16A	16A



MWX101 PCB Spring Type Terminal Block



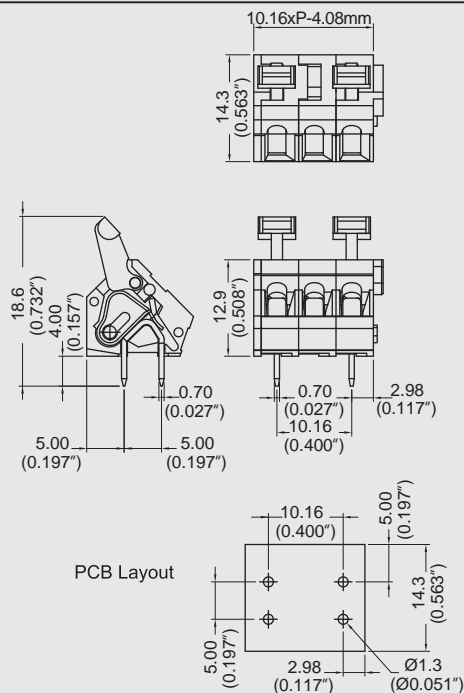
DIMENSIONS/POSITIONS

MWX101-016

間距	Pitch	10.16mm
位數	Poles	2 ~ 20Poles
塑膠本體	Housing Material	PA 66
端蓋	Cover	PA 66
端子	Contact	Brass, Tin Plated
彈片	Spring	Stainless Strip Steel
電線線徑	Wire Size	14 ~ 28AWG
剝線長度	Wire Strip Length	5mm ~ 6mm
PCB孔徑	PCB Hole Diameter	1.3mm
環境作業溫度	Operating Temperature	-40°C to +105°C

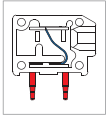
TECHNICAL DATA

連接符合標準 Connection in acc. with standard EN-VDE		
額定電流 I _n	Nominal Current I _n	16A
額定橫截面	Nominal Cross Section	-
最大負載電流	Maximum load current	16A
絕緣材料	Insulating Material	PA
阻燃等級,符合UL94 Inflammability class acc. to UL94		V0
額定電壓,UL/CUL Nominal voltage, UL/CUL		300V
額定電流,UL/CUL Nominal current, UL/CUL		16A



MWX

MWX200 PCB Spring Type Terminal Block

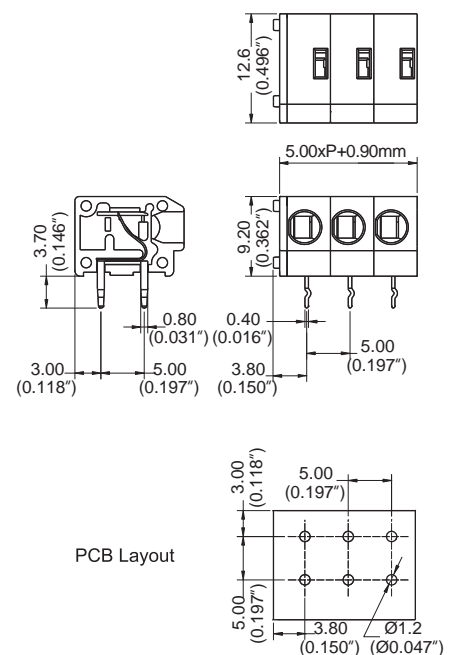
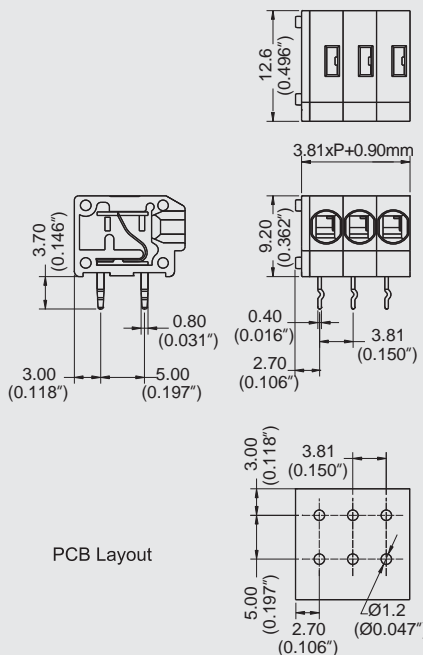


DIMENSIONS/POSITIONS

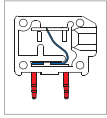
DIMENSIONS/POSITIONS		MWX200-381	MWX200-500
間距	Pitch	3.81mm	5.00mm
位數	Poles	2 ~ 26Poles	2 ~ 24Poles
塑膠本體	Housing Material	PA 66	PA 66
端蓋	Cover	PA 66	PA 66
端子	Contact	Brass, Tin Plated	Brass, Tin Plated
彈片	Spring	Stainless Strip Steel	Stainless Strip Steel
電線線徑	Wire Size	16 ~ 20AWG	14 ~ 20AWG
剝線長度	Wire Strip Length	9mm ~ 10mm	9mm ~ 10mm
PCB孔徑	PCB Hole Diameter	1.2mm	1.2mm
環境作業溫度	Operating Temperature	-40°C to +105°C	-40°C to +105°C

TECHNICAL DATA

連接符合標準 Connection in acc. with standard EN-VDE			
額定電流 I _n	Nominal Current I _n	8A	10A
額定橫截面	Nominal Cross Section	-	-
最大負載電流	Maximum load current	8A	10A
絕緣材料	Insulating Material	PA	PA
阻燃等級,符合UL94 Inflammability class acc. to UL94		V0	V0
額定電壓,UL/CUL Nominal voltage, UL/CUL		300V	300V
額定電流,UL/CUL Nominal current, UL/CUL		8A	10A



MWX200 PCB Spring Type Terminal Block

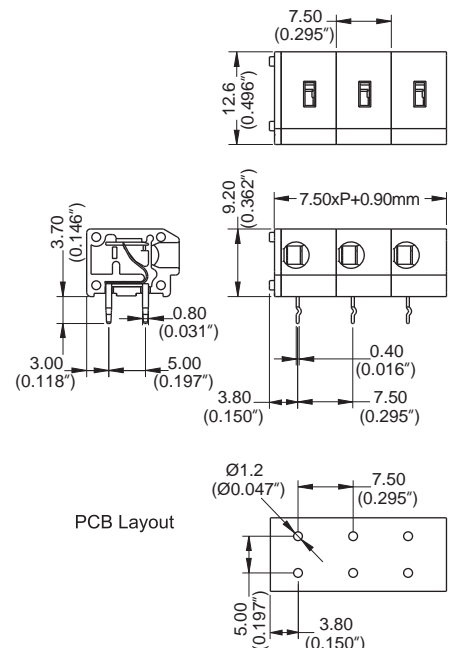
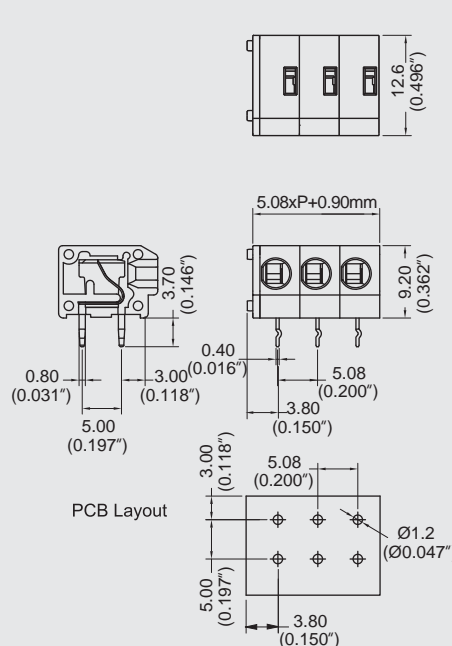


DIMENSIONS/POSITIONS

DIMENSIONS/POSITIONS		MWX200-508	MWX200-750
間距	Pitch	5.08mm	7.50mm
位數	Poles	2 ~ 24Poles	2 ~ 20Poles
塑膠本體	Housing Material	PA 66	PA 66
端蓋	Cover	PA 66	PA 66
端子	Contact	Brass, Tin Plated	Brass, Tin Plated
彈片	Spring	Stainless Strip Steel	Stainless Strip Steel
電線線徑	Wire Size	14 ~ 20AWG	14 ~ 20AWG
剝線長度	Wire Strip Length	9mm ~ 10mm	9mm ~ 10mm
PCB孔徑	PCB Hole Diameter	1.2mm	1.2mm
環境作業溫度	Operating Temperature	-40°C to +105°C	-40°C to +105°C

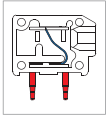
TECHNICAL DATA

連接符合標準 Connection in acc. with standard EN-VDE			
額定電流 I _n	Nominal Current I _n	10A	10A
額定橫截面	Nominal Cross Section	-	-
最大負載電流	Maximum load current	10A	10A
絕緣材料	Insulating Material	PA	PA
阻燃等級,符合UL94 Inflammability class acc. to UL94		V0	V0
額定電壓,UL/CUL Nominal voltage, UL/CUL		300V	300V
額定電流,UL/CUL Nominal current, UL/CUL		10A	10A



MWX

MWX200 PCB Spring Type Terminal Block



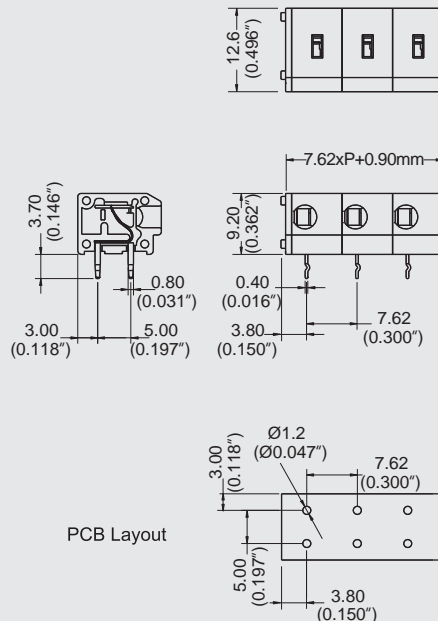
DIMENSIONS/POSITIONS

MWX200-762

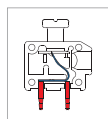
間距	Pitch	7.62mm
位數	Poles	2 ~ 20Poles
塑膠本體	Housing Material	PA 66
端蓋	Cover	PA 66
端子	Contact	Brass, Tin Plated
彈片	Spring	Stainless Strip Steel
電線線徑	Wire Size	14 ~ 20AWG
剝線長度	Wire Strip Length	9mm ~ 10mm
PCB孔徑	PCB Hole Diameter	1.2mm
環境作業溫度	Operating Temperature	-40°C to +105°C

TECHNICAL DATA

連接符合標準 Connection in acc. with standard EN-VDE		
額定電流 I _n	Nominal Current I _n	10A
額定橫截面	Nominal Cross Section	-
最大負載電流	Maximum load current	10A
絕緣材料	Insulating Material	PA
阻燃等級,符合UL94 Inflammability class acc. to UL94		V0
額定電壓,UL/CUL Nominal voltage, UL/CUL		300V
額定電流,UL/CUL Nominal current, UL/CUL		10A



MWX201 PCB Spring Type Terminal Block

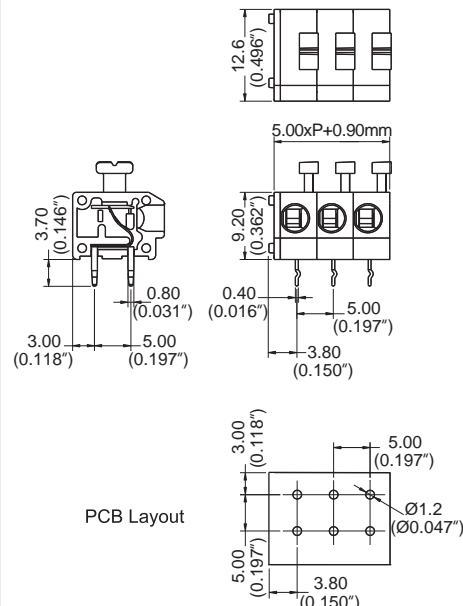
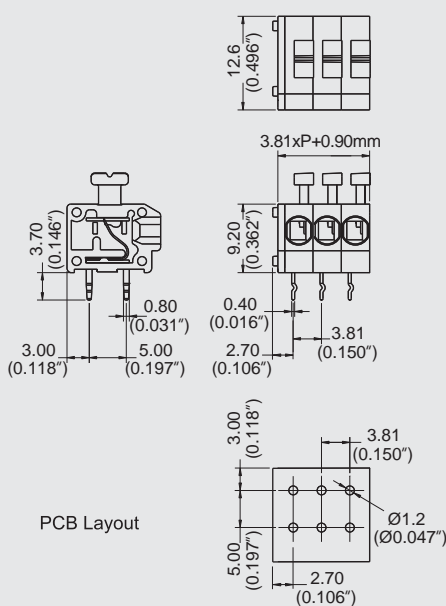


DIMENSIONS/POSITIONS

DIMENSIONS/POSITIONS		MWX201-381	MWX201-500
間距	Pitch	3.81mm	5.00mm
位數	Poles	2 ~ 26Poles	2 ~ 24Poles
塑膠本體	Housing Material	PA 66	PA 66
端蓋	Cover	PA 66	PA 66
端子	Contact	Brass, Tin Plated	Brass, Tin Plated
彈片	Spring	Stainless Strip Steel	Stainless Strip Steel
電線線徑	Wire Size	16 ~ 20AWG	14 ~ 20AWG
剝線長度	Wire Strip Length	9mm ~ 10mm	9mm ~ 10mm
PCB孔徑	PCB Hole Diameter	1.2mm	1.2mm
環境作業溫度	Operating Temperature	-40°C to +105°C	-40°C to +105°C

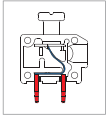
TECHNICAL DATA

連接符合標準 Connection in acc. with standard EN-VDE			
額定電流 I _n	Nominal Current I _n	8A	10A
額定橫截面	Nominal Cross Section	-	-
最大負載電流	Maximum load current	8A	10A
絕緣材料	Insulating Material	PA	PA
阻燃等級,符合UL94 Inflammability class acc. to UL94		V0	V0
額定電壓,UL/CUL Nominal voltage, UL/CUL		300V	300V
額定電流,UL/CUL Nominal current, UL/CUL		8A	10A



MWX

MWX201 PCB Spring Type Terminal Block

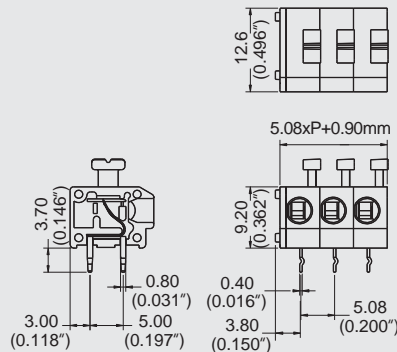


DIMENSIONS/POSITIONS

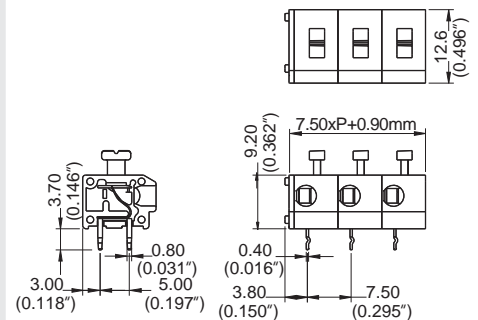
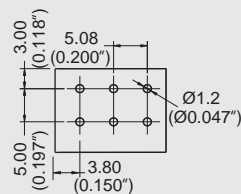
DIMENSIONS/POSITIONS		MWX201-508	MWX201-750
間距	Pitch	5.08mm	7.50mm
位數	Poles	2 ~ 24Poles	2 ~ 20Poles
塑膠本體	Housing Material	PA 66	PA 66
端蓋	Cover	PA 66	PA 66
端子	Contact	Brass, Tin Plated	Brass, Tin Plated
彈片	Spring	Stainless Strip Steel	Stainless Strip Steel
電線線徑	Wire Size	14 ~ 20AWG	14 ~ 20AWG
剝線長度	Wire Strip Length	9mm ~ 10mm	9mm ~ 10mm
PCB孔徑	PCB Hole Diameter	1.2mm	1.2mm
環境作業溫度	Operating Temperature	-40°C to +105°C	-40°C to +105°C

TECHNICAL DATA

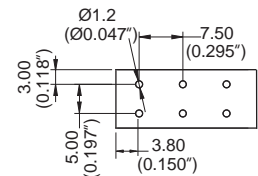
連接符合標準 Connection in acc. with standard EN-VDE			
額定電流 I _n	Nominal Current I _n	10A	10A
額定橫截面	Nominal Cross Section	-	-
最大負載電流	Maximum load current	10A	10A
絕緣材料	Insulating Material	PA	PA
阻燃等級,符合UL94 Inflammability class acc. to UL94		V0	V0
額定電壓,UL/CUL Nominal voltage, UL/CUL		300V	300V
額定電流,UL/CUL Nominal current, UL/CUL		10A	10A



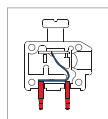
PCB Layout



PCB Layout



MWX201 PCB Spring Type Terminal Block



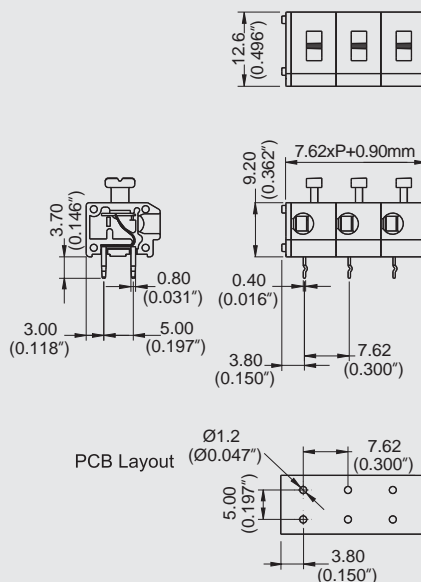
DIMENSIONS/POSITIONS

MWX201-762

間距	Pitch	7.62mm
位數	Poles	2 ~ 20Poles
塑膠本體	Housing Material	PA 66
端蓋	Cover	PA 66
端子	Contact	Brass, Tin Plated
彈片	Spring	Stainless Strip Steel
電線線徑	Wire Size	14 ~ 20AWG
剝線長度	Wire Strip Length	9mm ~ 10mm
PCB孔徑	PCB Hole Diameter	1.2mm
環境作業溫度	Operating Temperature	-40°C to +105°C

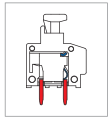
TECHNICAL DATA

連接符合標準 Connection in acc. with standard EN-VDE		
額定電流 I _n Nominal Current I _n		10A
額定橫截面 Nominal Cross Section		-
最大負載電流 Maximum load current		10A
絕緣材料 Insulating Material		PA
阻燃等級,符合UL94 Inflammability class acc. to UL94		V0
額定電壓,UL/CUL Nominal voltage, UL/CUL		300V
額定電流,UL/CUL Nominal current, UL/CUL		10A

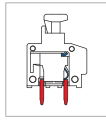


MWX

MWX211 PCB Spring Type Terminal Block



MWX211-381M



WX211-500

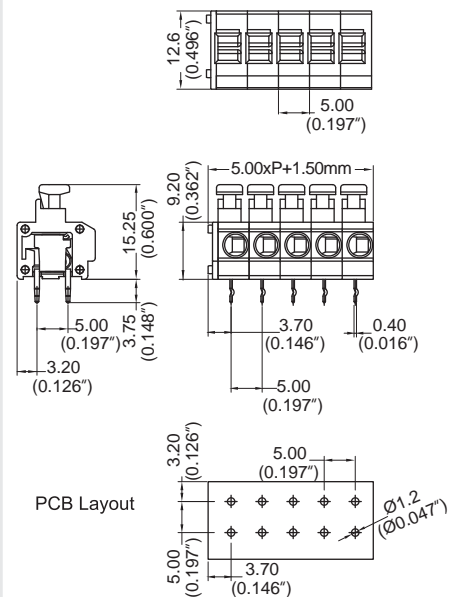
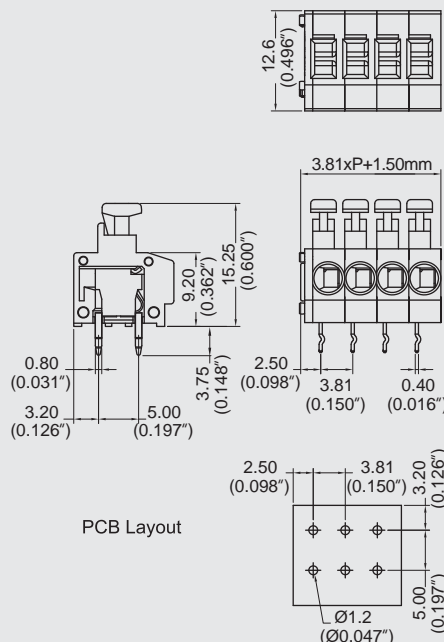


DIMENSIONS/POSITIONS

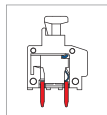
DIMENSIONS/POSITIONS		MWX211-381	MWX211-500
間距	Pitch	3.81mm	5.00mm
位數	Poles	2 ~ 24Poles	2 ~ 24Poles
塑膠本體	Housing Material	PA 66	PA 66
端蓋	Cover	PA 66	PA 66
端子	Contact	Brass, Tin Plated	Brass, Tin Plated
彈片	Spring	Stainless Strip Steel	Stainless Strip Steel
電線線徑	Wire Size	16 ~ 20AWG	14 ~ 20AWG
剝線長度	Wire Strip Length	9mm ~ 10mm	9mm ~ 10mm
PCB孔徑	PCB Hole Diameter	1.2mm	1.2mm
環境作業溫度	Operating Temperature	-40°C to +105°C	-40°C to +105°C

TECHNICAL DATA

連接符合標準 Connection in acc. with standard EN-VDE			
額定電流 I _n	Nominal Current I _n	8A	10A
額定橫截面	Nominal Cross Section	-	-
最大負載電流	Maximum load current	8A	10A
絕緣材料	Insulating Material	PA	PA
阻燃等級,符合UL94 Inflammability class acc. to UL94		V0	V0
額定電壓,UL/CUL Nominal voltage, UL/CUL		300V	300V
額定電流,UL/CUL Nominal current, UL/CUL		8A	10A



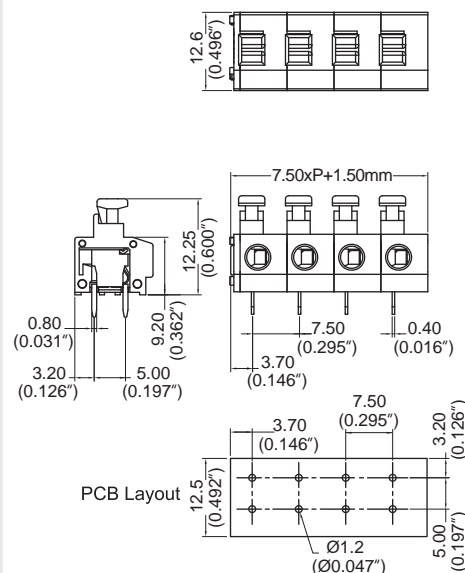
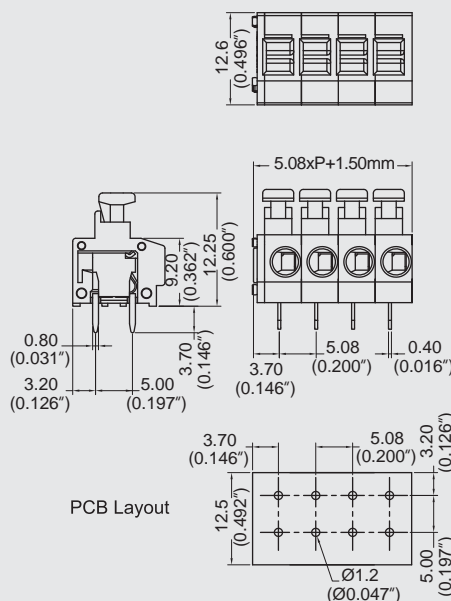
MWX211 PCB Spring Type Terminal Block



DIMENSIONS/POSITIONS		MWX211-508	MWX211-750
間距	Pitch	5.08mm	7.50mm
位數	Poles	2 ~ 24Poles	2 ~ 24Poles
塑膠本體	Housing Material	PA 66	PA 66
端蓋	Cover	PA 66	PA 66
端子	Contact	Brass, Tin Plated	Brass, Tin Plated
彈片	Spring	Stainless Strip Steel	Stainless Strip Steel
電線線徑	Wire Size	14 ~ 20AWG	14 ~ 20AWG
剝線長度	Wire Strip Length	9mm ~ 10mm	9mm ~ 10mm
PCB孔徑	PCB Hole Diameter	1.2mm	1.2mm
環境作業溫度	Operating Temperature	-40°C to +105°C	-40°C to +105°C

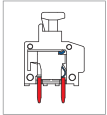
TECHNICAL DATA

連接符合標準 Connection in acc. with standard EN-VDE			
額定電流 I _n	Nominal Current I _n	10A	16A
額定橫截面	Nominal Cross Section	-	-
最大負載電流	Maximum load current	10A	16A
絕緣材料	Insulating Material	PA	PA
阻燃等級,符合UL94 Inflammability class acc. to UL94		V0	V0
額定電壓,UL/CUL Nominal voltage, UL/CUL		300V	300V
額定電流,UL/CUL Nominal current, UL/CUL		10A	10A



MWX

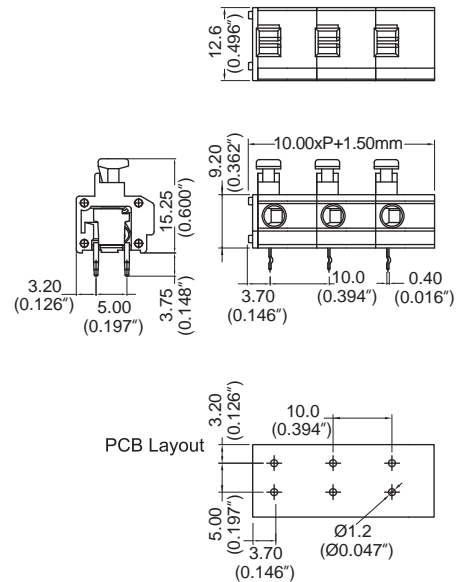
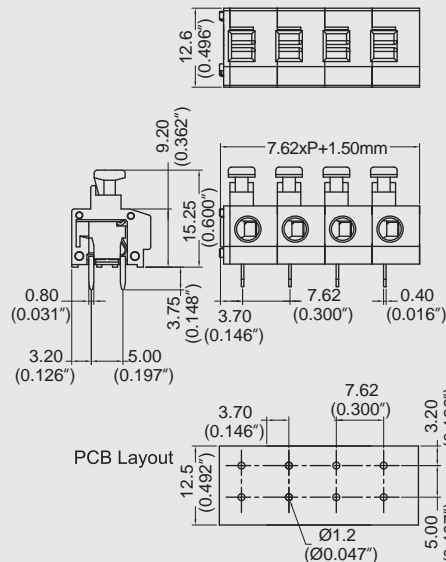
MWX211 PCB Spring Type Terminal Block



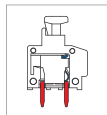
DIMENSIONS/POSITIONS		MWX211-762	MWX211-100
間距	Pitch	7.62mm	10.00mm
位數	Poles	2 ~ 24Poles	2 ~ 24Poles
塑膠本體	Housing Material	PA 66	PA 66
端蓋	Cover	PA 66	PA 66
端子	Contact	Brass, Tin Plated	Brass, Tin Plated
彈片	Spring	Stainless Strip Steel	Stainless Strip Steel
電線線徑	Wire Size	14 ~ 20AWG	14 ~ 20AWG
剝線長度	Wire Strip Length	9mm ~ 10mm	9mm ~ 10mm
PCB孔徑	PCB Hole Diameter	1.2mm	1.2mm
環境作業溫度	Operating Temperature	-40°C to +105°C	-40°C to +105°C

TECHNICAL DATA

連接符合標準 Connection in acc. with standard EN-VDE			
額定電流 I _n	Nominal Current I _n	16A	16A
額定橫截面	Nominal Cross Section	-	-
最大負載電流	Maximum load current	16A	16A
絕緣材料	Insulating Material	PA	PA
阻燃等級,符合UL94 Inflammability class acc. to UL94		V0	V0
額定電壓,UL/CUL Nominal voltage, UL/CUL		300V	300V
額定電流,UL/CUL Nominal current, UL/CUL		10A	10A



MWX211 PCB Spring Type Terminal Block



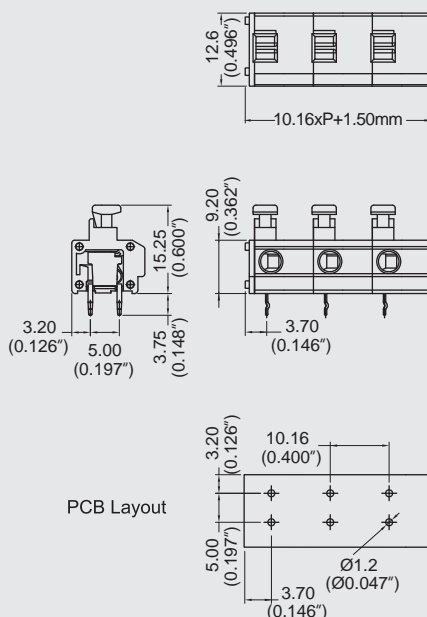
DIMENSIONS/POSITIONS

MWX211-016

間距	Pitch	10.16mm
位數	Poles	2 ~ 24Poles
塑膠本體	Housing Material	PA 66
端蓋	Cover	PA 66
端子	Contact	Brass, Tin Plated
彈片	Spring	Stainless Strip Steel
電線線徑	Wire Size	14 ~ 20AWG
剝線長度	Wire Strip Length	9mm ~ 10mm
PCB孔徑	PCB Hole Diameter	1.2mm
環境作業溫度	Operating Temperature	-40°C to +105°C

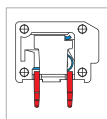
TECHNICAL DATA

連接符合標準 Connection in acc. with standard EN-VDE		
額定電流 I _n	Nominal Current I _n	16A
額定橫截面	Nominal Cross Section	-
最大負載電流	Maximum load current	16A
絕緣材料	Insulating Material	PA
阻燃等級,符合UL94 Inflammability class acc. to UL94		V0
額定電壓,UL/CUL Nominal voltage, UL/CUL		300V
額定電流,UL/CUL Nominal current, UL/CUL		10A



MWX

MWX220 PCB Spring Type Terminal Block



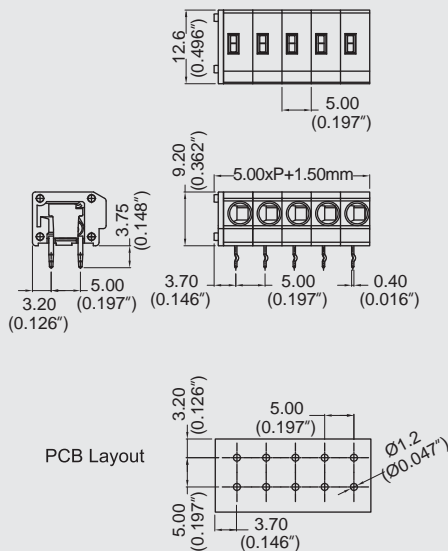
DIMENSIONS/POSITIONS

MWX220-500

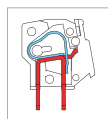
間距	Pitch	5.00mm
位數	Poles	2 ~ 99Poles
塑膠本體	Housing Material	PA 66
端蓋	Cover	PA 66
端子	Contact	Copper, Tin Plated
彈片	Spring	Stainless Strip Steel
電線線徑	Wire Size	14 ~ 20AWG
剝線長度	Wire Strip Length	9mm ~ 10mm
PCB孔徑	PCB Hole Diameter	1.2mm
環境作業溫度	Operating Temperature	-40°C to +105°C

TECHNICAL DATA

連接符合標準 Connection in acc. with standard EN-VDE		
額定電流 I _n	Nominal Current I _n	10A
額定橫截面	Nominal Cross Section	-
最大負載電流	Maximum load current	10A
絕緣材料	Insulating Material	PA
阻燃等級,符合UL94 Inflammability class acc. to UL94		V0
額定電壓,UL/CUL Nominal voltage, UL/CUL		300V
額定電流,UL/CUL Nominal current, UL/CUL		10A



MWX300 PCB Spring Type Terminal Block

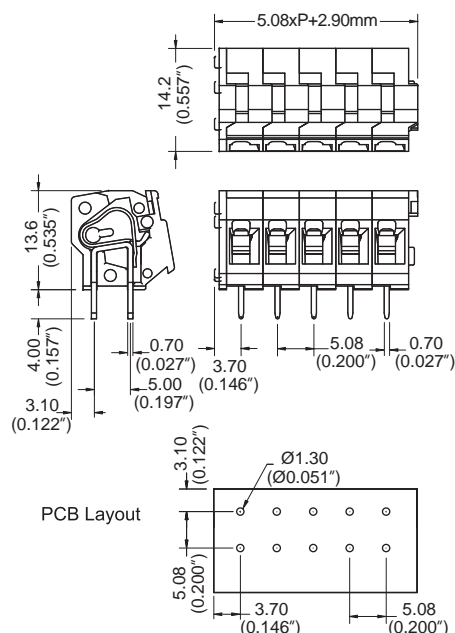
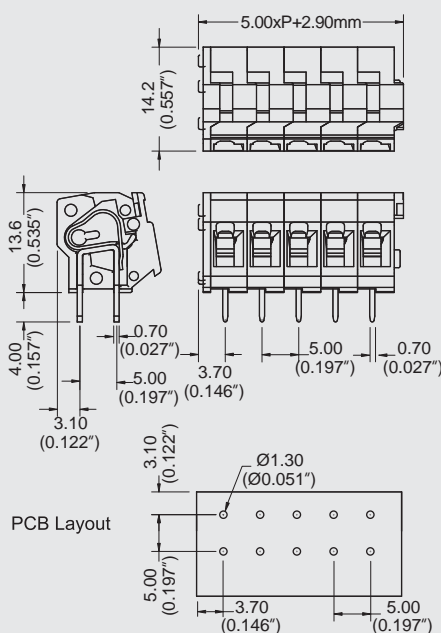


DIMENSIONS/POSITIONS

DIMENSIONS/POSITIONS		MWX300-500	MWX300-508
間距	Pitch	5.00mm	5.08mm
位數	Poles	2 ~ 24Poles	2 ~ 24Poles
塑膠本體	Housing Material	PA 66	PA 66
端蓋	Cover	PA 66	PA 66
端子	Contact	Brass, Tin Plated	Brass, Tin Plated
彈片	Spring	Stainless Strip Steel	Stainless Strip Steel
電線線徑	Wire Size	12 ~ 28AWG	12 ~ 28AWG
剝線長度	Wire Strip Length	5mm ~ 6mm	5mm ~ 6mm
PCB孔徑	PCB Hole Diameter	1.3mm	1.3mm
環境作業溫度	Operating Temperature	-40°C to +105°C	-40°C to +105°C

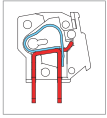
TECHNICAL DATA

連接符合標準 Connection in acc. with standard EN-VDE			
額定電流 I _n	Nominal Current I _n	20A	20A
額定橫截面	Nominal Cross Section	4.0mm ²	4.0mm ²
最大負載電流	Maximum load current	20A	20A
絕緣材料	Insulating Material	PA	PA
阻燃等級,符合UL94 Inflammability class acc. to UL94		V0	V0
額定電壓,UL/CUL Nominal voltage, UL/CUL		300V	300V
額定電流,UL/CUL Nominal current, UL/CUL		20A	20A



MWX

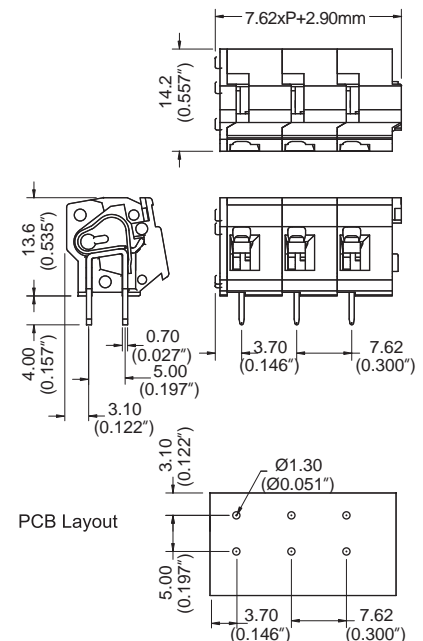
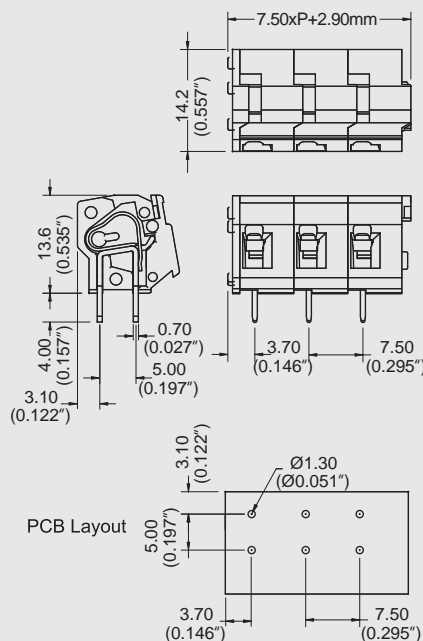
MWX300 PCB Spring Type Terminal Block



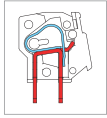
DIMENSIONS/POSITIONS		MWX300-750	MWX300-762
間距	Pitch	7.50mm	7.62mm
位數	Poles	2 ~ 24Poles	2 ~ 24Poles
塑膠本體	Housing Material	PA 66	PA 66
端蓋	Cover	PA 66	PA 66
端子	Contact	Brass, Tin Plated	Brass, Tin Plated
彈片	Spring	Stainless Strip Steel	Stainless Strip Steel
電線線徑	Wire Size	12 ~ 28AWG	12 ~ 28AWG
剝線長度	Wire Strip Length	5mm ~ 6mm	5mm ~ 6mm
PCB孔徑	PCB Hole Diameter	1.3mm	1.3mm
環境作業溫度	Operating Temperature	-40°C to +105°C	-40°C to +105°C

TECHNICAL DATA

連接符合標準	Connection in acc. with standard EN-VDE	
額定電流 I _n	Nominal Current I _n	20A
額定橫截面	Nominal Cross Section	4.0mm ²
最大負載電流	Maximum load current	20A
絕緣材料	Insulating Material	PA
阻燃等級,符合UL94	Inflammability class acc. to UL94	
額定電壓,UL/CUL	Nominal voltage, UL/CUL	
額定電流,UL/CUL	Nominal current, UL/CUL	



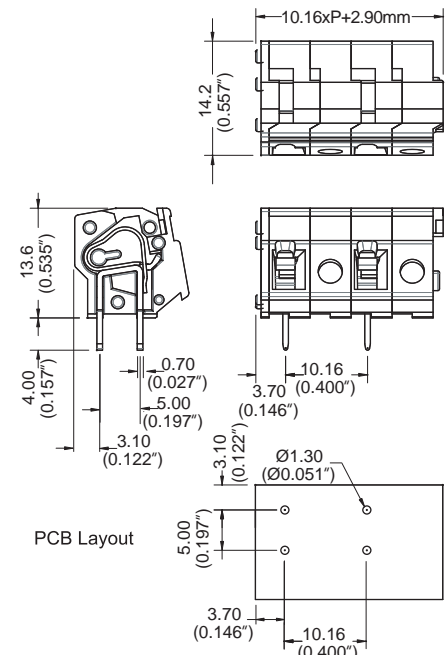
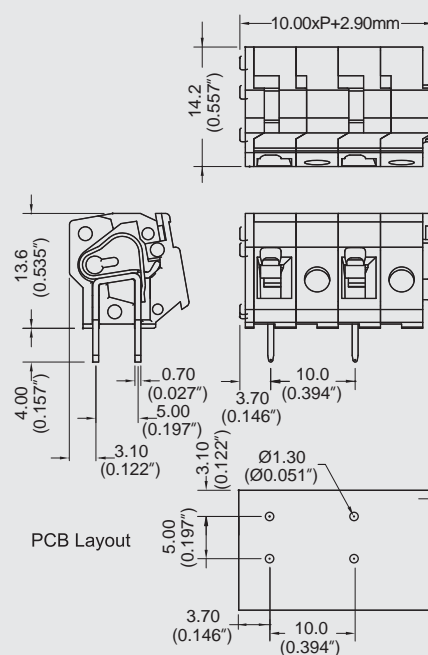
MWX300 PCB Spring Type Terminal Block



DIMENSIONS/POSITIONS		MWX300-100	MWX300-016
間距	Pitch	10.00mm	10.16mm
位數	Poles	2 ~ 24Poles	2 ~ 24Poles
塑膠本體	Housing Material	PA 66	PA 66
端蓋	Cover	PA 66	PA 66
端子	Contact	Brass, Tin Plated	Brass, Tin Plated
彈片	Spring	Stainless Strip Steel	Stainless Strip Steel
電線線徑	Wire Size	12 ~ 28AWG	12 ~ 28AWG
剝線長度	Wire Strip Length	5mm ~ 6mm	5mm ~ 6mm
PCB孔徑	PCB Hole Diameter	1.3mm	1.3mm
環境作業溫度	Operating Temperature	-40°C to +105°C	-40°C to +105°C

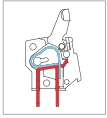
TECHNICAL DATA

連接符合標準	Connection in acc. with standard EN-VDE	
額定電流 I _n	Nominal Current I _n	20A
額定橫截面	Nominal Cross Section	4.0mm ²
最大負載電流	Maximum load current	20A
絕緣材料	Insulating Material	PA
阻燃等級,符合UL94	Inflammability class acc. to UL94	V0
額定電壓,UL/CUL	Nominal voltage, UL/CUL	300V
額定電流,UL/CUL	Nominal current, UL/CUL	20A



MWX

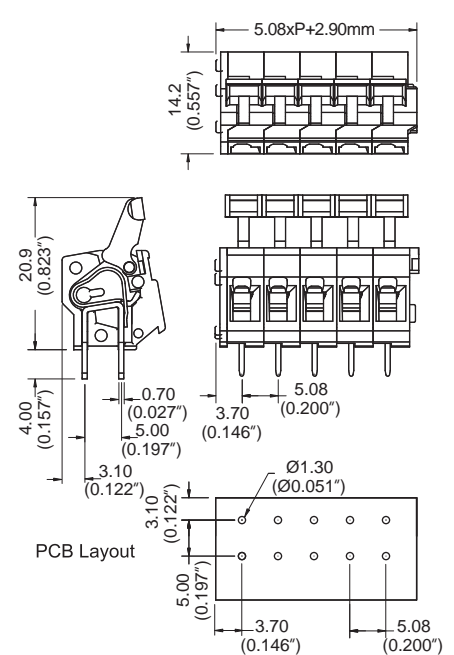
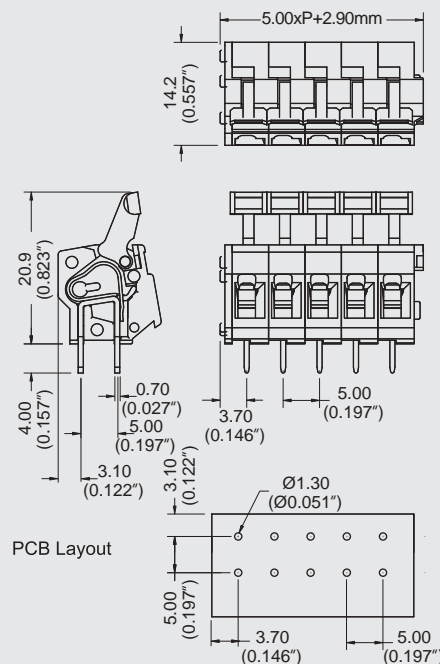
MWX301 PCB Spring Type Terminal Block



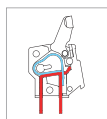
DIMENSIONS/POSITIONS		MWX301-500	MWX301-508
間距	Pitch	5.00mm	5.08mm
位數	Poles	2 ~ 24Poles	2 ~ 24Poles
塑膠本體	Housing Material	PA 66	PA 66
端蓋	Cover	PA 66	PA 66
端子	Contact	Brass, Tin Plated	Brass, Tin Plated
彈片	Spring	Stainless Strip Steel	Stainless Strip Steel
電線線徑	Wire Size	12 ~ 28AWG	12 ~ 28AWG
剝線長度	Wire Strip Length	5mm ~ 6mm	5mm ~ 6mm
PCB孔徑	PCB Hole Diameter	1.3mm	1.3mm
環境作業溫度	Operating Temperature	-40°C to +105°C	-40°C to +105°C

TECHNICAL DATA

連接符合標準 Connection in acc. with standard EN-VDE			
額定電流 I _n	Nominal Current I _n	20A	20A
額定橫截面	Nominal Cross Section	4.0mm ²	4.0mm ²
最大負載電流	Maximum load current	20A	20A
絕緣材料	Insulating Material	PA	PA
阻燃等級,符合UL94 Inflammability class acc. to UL94		V0	V0
額定電壓,UL/CUL Nominal voltage, UL/CUL		300V	300V
額定電流,UL/CUL Nominal current, UL/CUL		20A	20A



MWX301 PCB Spring Type Terminal Block

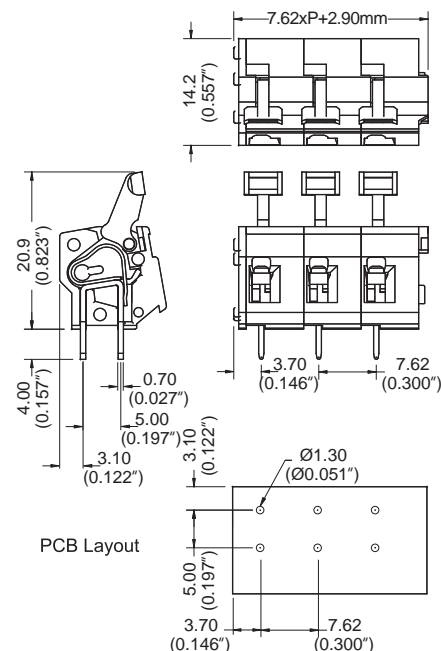
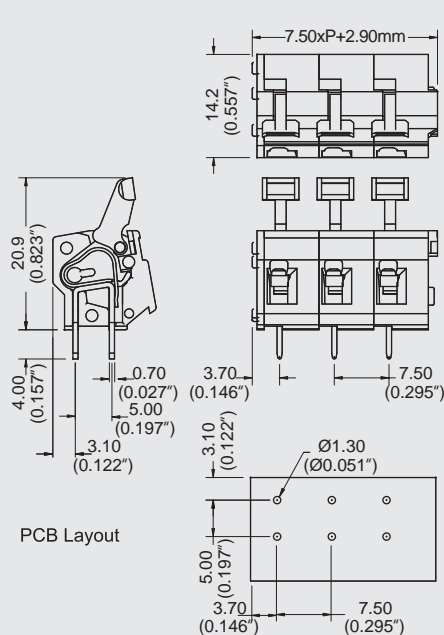


DIMENSIONS/POSITIONS

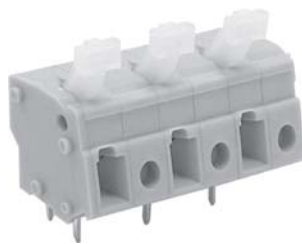
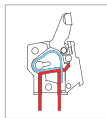
DIMENSIONS/POSITIONS		MWX301-750	MWX301-762
間距	Pitch	7.50mm	7.62mm
位數	Poles	2 ~ 24Poles	2 ~ 24Poles
塑膠本體	Housing Material	PA 66	PA 66
端蓋	Cover	PA 66	PA 66
端子	Contact	Brass, Tin Plated	Brass, Tin Plated
彈片	Spring	Stainless Strip Steel	Stainless Strip Steel
電線線徑	Wire Size	12 ~ 28AWG	12 ~ 28AWG
剝線長度	Wire Strip Length	5mm ~ 6mm	5mm ~ 6mm
PCB孔徑	PCB Hole Diameter	1.3mm	1.3mm
環境作業溫度	Operating Temperature	-40°C to +105°C	-40°C to +105°C

TECHNICAL DATA

連接符合標準 Connection in acc. with standard EN-VDE			
額定電流 I _n	Nominal Current I _n	20A	20A
額定橫截面	Nominal Cross Section	4.0mm ²	4.0mm ²
最大負載電流	Maximum load current	20A	20A
絕緣材料	Insulating Material	PA	PA
阻燃等級,符合UL94 Inflammability class acc. to UL94		V0	V0
額定電壓,UL/CUL Nominal voltage, UL/CUL		300V	300V
額定電流,UL/CUL Nominal current, UL/CUL		20A	20A



MWX301 PCB Spring Type Terminal Block

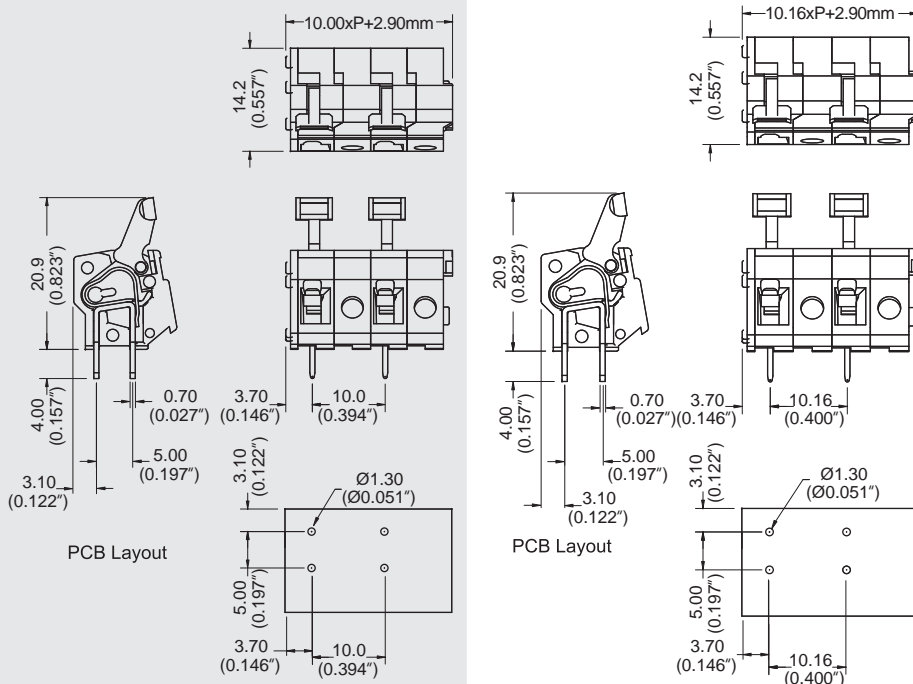


DIMENSIONS/POSITIONS

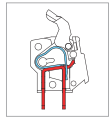
DIMENSIONS/POSITIONS		MWX301-100	MWX301-016
間距	Pitch	10.00mm	10.16mm
位數	Poles	2 ~ 24Poles	2 ~ 24Poles
塑膠本體	Housing Material	PA 66	PA 66
端蓋	Cover	PA 66	PA 66
端子	Contact	Brass, Tin Plated	Brass, Tin Plated
彈片	Spring	Stainless Strip Steel	Stainless Strip Steel
電線線徑	Wire Size	12 ~ 28AWG	12 ~ 28AWG
剝線長度	Wire Strip Length	5mm ~ 6mm	5mm ~ 6mm
PCB孔徑	PCB Hole Diameter	1.3mm	1.3mm
環境作業溫度	Operating Temperature	-40°C to +105°C	-40°C to +105°C

TECHNICAL DATA

連接符合標準 Connection in acc. with standard EN-VDE			
額定電流 I _n	Nominal Current I _n	20A	20A
額定橫截面	Nominal Cross Section	4.0mm ²	4.0mm ²
最大負載電流	Maximum load current	20A	20A
絕緣材料	Insulating Material	PA	PA
阻燃等級,符合UL94 Inflammability class acc. to UL94		V0	V0
額定電壓,UL/CUL Nominal voltage, UL/CUL		300V	300V
額定電流,UL/CUL Nominal current, UL/CUL		20A	20A



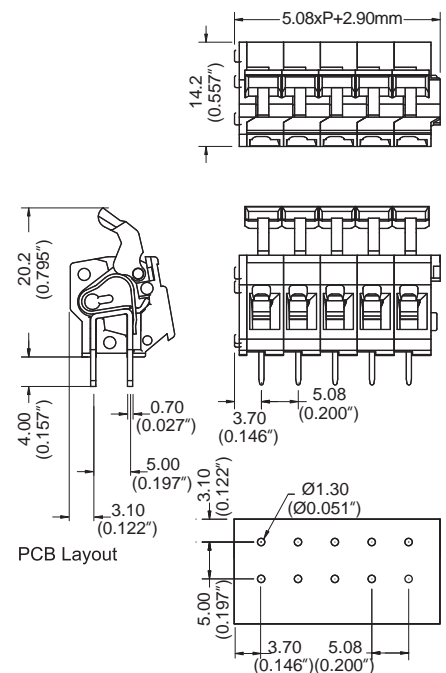
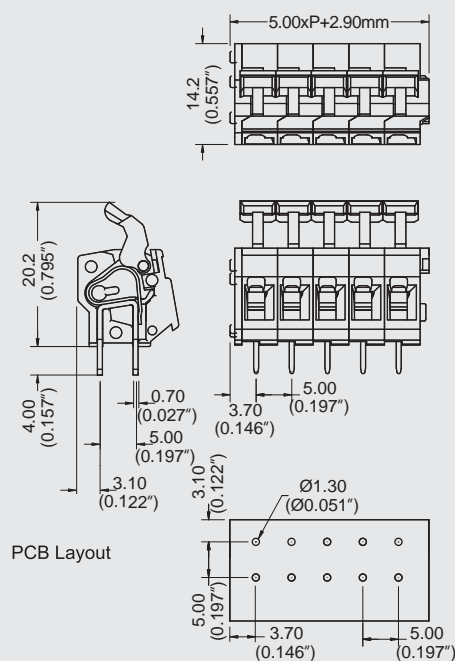
MWX302 PCB Spring Type Terminal Block



DIMENSIONS/POSITIONS		MWX302-500	MWX302-508
間距	Pitch	5.00mm	5.08mm
位數	Poles	2 ~ 24Poles	2 ~ 24Poles
塑膠本體	Housing Material	PA 66	PA 66
端蓋	Cover	PA 66	PA 66
端子	Contact	Brass, Tin Plated	Brass, Tin Plated
彈片	Spring	Stainless Strip Steel	Stainless Strip Steel
電線線徑	Wire Size	12 ~ 28AWG	12 ~ 28AWG
剝線長度	Wire Strip Length	5mm ~ 6mm	5mm ~ 6mm
PCB孔徑	PCB Hole Diameter	1.3mm	1.3mm
環境作業溫度	Operating Temperature	-40°C to +105°C	-40°C to +105°C

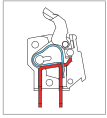
TECHNICAL DATA

連接符合標準	Connection in acc. with standard EN-VDE	
額定電流 I _n	Nominal Current I _n	20A
額定橫截面	Nominal Cross Section	4.0mm ²
最大負載電流	Maximum load current	20A
絕緣材料	Insulating Material	PA
阻燃等級,符合UL94	Inflammability class acc. to UL94	
額定電壓,UL/CUL	Nominal voltage, UL/CUL	
額定電流,UL/CUL	Nominal current, UL/CUL	



MWX

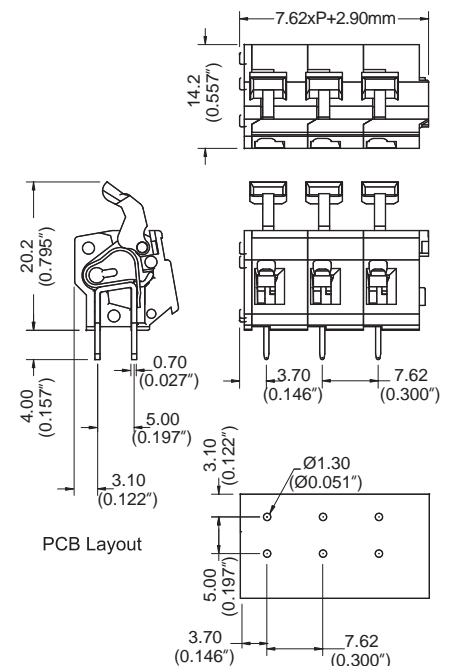
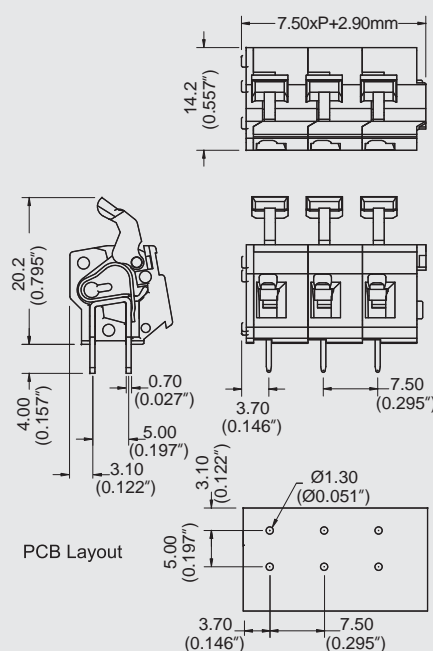
MWX302 PCB Spring Type Terminal Block



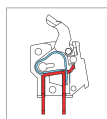
DIMENSIONS/POSITIONS		MWX302-750	MWX302-762
間距	Pitch	7.50mm	7.62mm
位數	Poles	2 ~ 24Poles	2 ~ 24Poles
塑膠本體	Housing Material	PA 66	PA 66
端蓋	Cover	PA 66	PA 66
端子	Contact	Brass, Tin Plated	Brass, Tin Plated
彈片	Spring	Stainless Strip Steel	Stainless Strip Steel
電線線徑	Wire Size	12 ~ 28AWG	12 ~ 28AWG
剝線長度	Wire Strip Length	5mm ~ 6mm	5mm ~ 6mm
PCB孔徑	PCB Hole Diameter	1.3mm	1.3mm
環境作業溫度	Operating Temperature	-40°C to +105°C	-40°C to +105°C

TECHNICAL DATA

連接符合標準	Connection in acc. with standard EN-VDE	
額定電流 I _n	Nominal Current I _n	20A
額定橫截面	Nominal Cross Section	4.0mm ²
最大負載電流	Maximum load current	20A
絕緣材料	Insulating Material	PA
阻燃等級,符合UL94	Inflammability class acc. to UL94	
額定電壓,UL/CUL	Nominal voltage, UL/CUL	
	300V	300V
額定電流,UL/CUL	Nominal current, UL/CUL	
	20A	20A



MWX302 PCB Spring Type Terminal Block

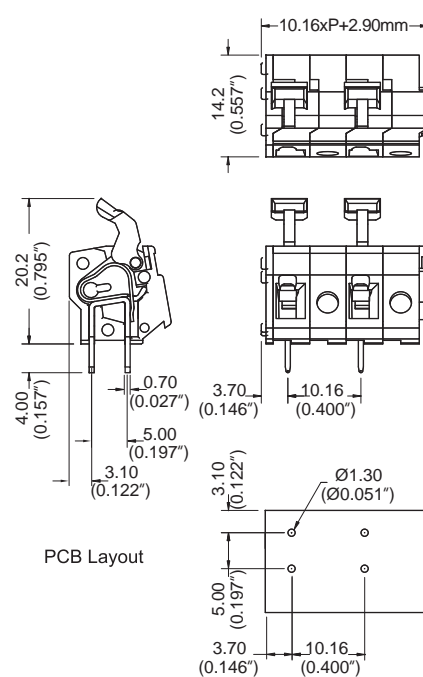
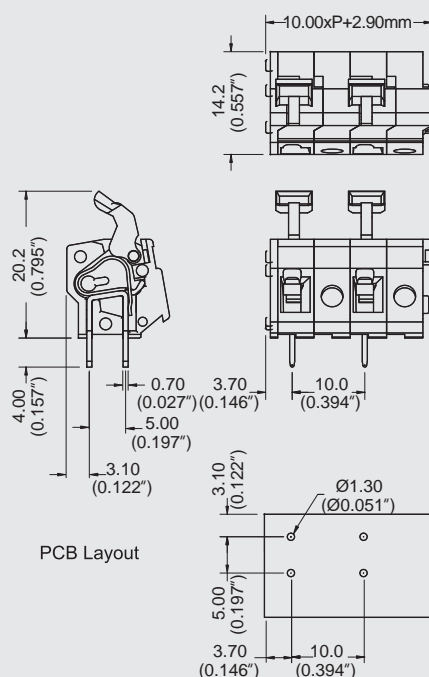


DIMENSIONS/POSITIONS

DIMENSIONS/POSITIONS		MWX302-100	MWX302-016
間距	Pitch	10.00mm	10.16mm
位數	Poles	2 ~ 24Poles	2 ~ 24Poles
塑膠本體	Housing Material	PA 66	PA 66
端蓋	Cover	PA 66	PA 66
端子	Contact	Brass, Tin Plated	Brass, Tin Plated
彈片	Spring	Stainless Strip Steel	Stainless Strip Steel
電線線徑	Wire Size	12 ~ 28AWG	12 ~ 28AWG
剝線長度	Wire Strip Length	5mm ~ 6mm	5mm ~ 6mm
PCB孔徑	PCB Hole Diameter	1.3mm	1.3mm
環境作業溫度	Operating Temperature	-40°C to +105°C	-40°C to +105°C

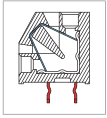
TECHNICAL DATA

連接符合標準 Connection in acc. with standard EN-VDE			
額定電流 I _n	Nominal Current I _n	20A	20A
額定橫截面	Nominal Cross Section	4.0mm ²	4.0mm ²
最大負載電流	Maximum load current	20A	20A
絕緣材料	Insulating Material	PA	PA
阻燃等級,符合UL94 Inflammability class acc. to UL94		V0	V0
額定電壓,UL/CUL Nominal voltage, UL/CUL		300V	300V
額定電流,UL/CUL Nominal current, UL/CUL		20A	20A



MWX

MWX400 PCB Spring Type Terminal Block



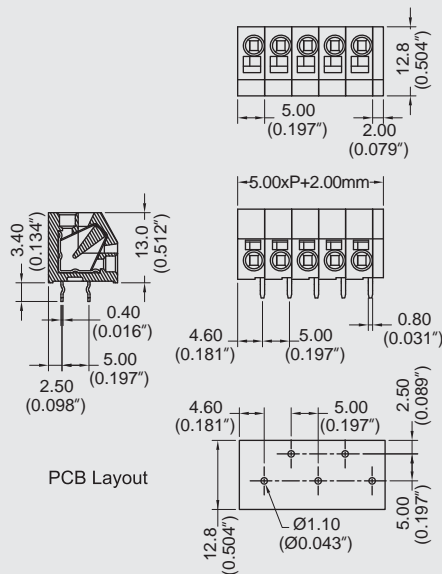
DIMENSIONS/POSITIONS

MWX400-500

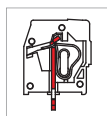
間距	Pitch	5.00mm
位數	Poles	2 ~ 24Poles
塑膠本體	Housing Material	PA 66
端蓋	Cover	PA 66
端子	Contact	Copper, Tin Plated
彈片	Spring	Stainless Strip Steel
電線線徑	Wire Size	16 ~ 20AWG
剝線長度	Wire Strip Length	7mm ~ 8mm
PCB孔徑	PCB Hole Diameter	1.1mm
環境作業溫度	Operating Temperature	-40°C to +105°C

TECHNICAL DATA

連接符合標準 Connection in acc. with standard EN-VDE		
額定電流 I _n	Nominal Current I _n	10A
額定橫截面	Nominal Cross Section	-
最大負載電流	Maximum load current	10A
絕緣材料	Insulating Material	PA
阻燃等級,符合UL94 Inflammability class acc. to UL94		V0
額定電壓,UL/CUL Nominal voltage, UL/CUL		300V
額定電流,UL/CUL Nominal current, UL/CUL		10A



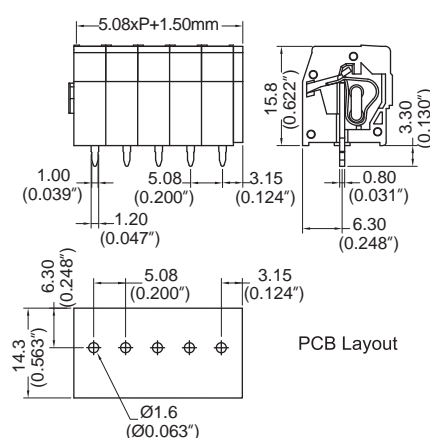
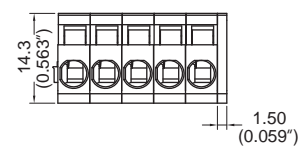
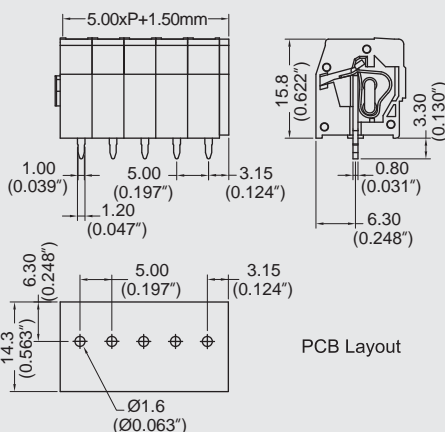
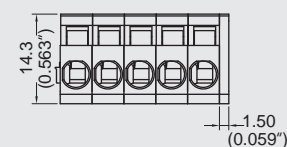
MWX500 PCB Spring Type Terminal Block



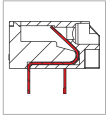
DIMENSIONS/POSITIONS		MWX500-500	MWX500-508
間距	Pitch	5.00mm	5.08mm
位數	Poles	2 ~ 24Poles	2 ~ 24Poles
塑膠本體	Housing Material	PA 66	PA 66
端蓋	Cover	PA 66	PA 66
端子	Contact	Brass, Tin Plated	Brass, Tin Plated
彈片	Spring	Stainless Strip Steel	Stainless Strip Steel
電線線徑	Wire Size	12 ~ 28AWG	12 ~ 28AWG
剝線長度	Wire Strip Length	8mm ~ 9mm	8mm ~ 9mm
PCB孔徑	PCB Hole Diameter	1.6mm	1.6mm
環境作業溫度	Operating Temperature	-40°C to +105°C	-40°C to +105°C

TECHNICAL DATA

連接符合標準 Connection in acc. with standard EN-VDE		
額定電流 I _n Nominal Current I _n	12A	12A
額定橫截面 Nominal Cross Section	-	-
最大負載電流 Maximum load current	12A	12A
絕緣材料 Insulating Material	PA	PA
阻燃等級,符合UL94 Inflammability class acc. to UL94	V0	V0
額定電壓,UL/CUL Nominal voltage, UL/CUL	300V	300V
額定電流,UL/CUL Nominal current, UL/CUL	12A	12A



MWX600 PCB Spring Type Terminal Block



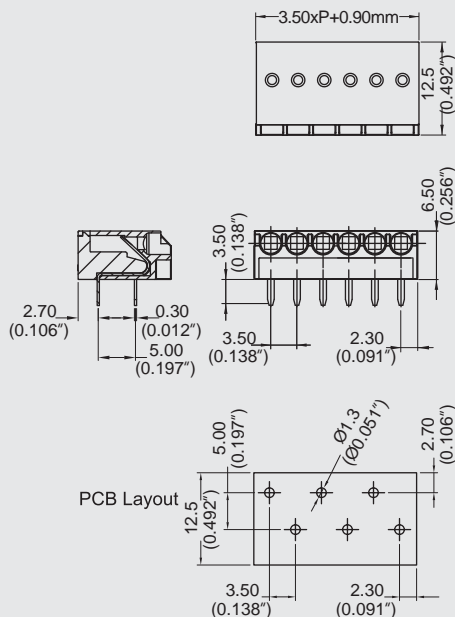
DIMENSIONS/POSITIONS

MWX600-350

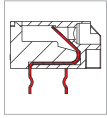
間距	Pitch	3.50mm
位數	Poles	2 ~ 24Poles
塑膠本體	Housing Material	PA 66
端蓋	Cover	PA 66
端子	Contact	Phosphor Bronze, Tin Plated
彈片	Spring	Stainless Strip Steel
電線線徑	Wire Size	16 ~ 20AWG
剝線長度	Wire Strip Length	8mm ~ 9mm
PCB孔徑	PCB Hole Diameter	1.3mm
環境作業溫度	Operating Temperature	-40°C to +105°C

TECHNICAL DATA

連接符合標準 Connection in acc. with standard EN-VDE		
額定電流 I _n	Nominal Current I _n	2A
額定橫截面	Nominal Cross Section	1.5mm ²
最大負載電流	Maximum load current	2A
絕緣材料	Insulating Material	PA
阻燃等級,符合UL94 Inflammability class acc. to UL94		V0
額定電壓,UL/CUL Nominal voltage, UL/CUL		300V
額定電流,UL/CUL Nominal current, UL/CUL		6A



MWX601 PCB Spring Type Terminal Block



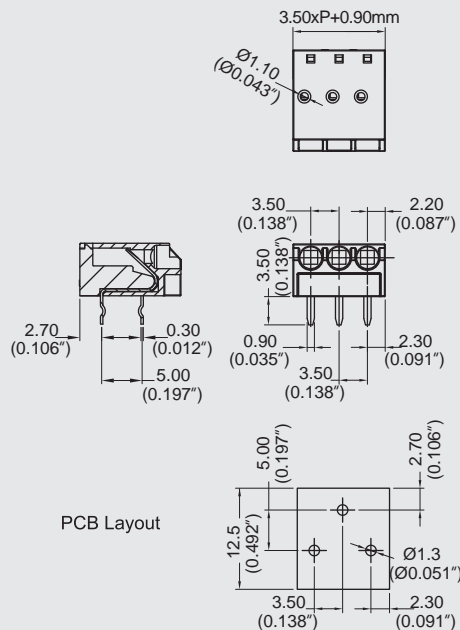
DIMENSIONS/POSITIONS

MWX601-350

間距	Pitch	3.50mm
位數	Poles	2 ~ 24Poles
塑膠本體	Housing Material	PA 66
端蓋	Cover	PA 66
端子	Contact	Phosphor Bronze, Tin Plated
彈片	Spring	Stainless Strip Steel
電線線徑	Wire Size	16 ~ 20AWG
剝線長度	Wire Strip Length	8mm ~ 9mm
PCB孔徑	PCB Hole Diameter	1.3mm
環境作業溫度	Operating Temperature	-40°C to +105°C

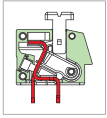
TECHNICAL DATA

連接符合標準 Connection in acc. with standard EN-VDE		
額定電流 I _n	Nominal Current I _n	2A
額定橫截面	Nominal Cross Section	1.5mm ²
最大負載電流	Maximum load current	2A
絕緣材料	Insulating Material	PA
阻燃等級,符合UL94 Inflammability class acc. to UL94		V0
額定電壓,UL/CUL Nominal voltage, UL/CUL		300V
額定電流,UL/CUL Nominal current, UL/CUL		6A



MWX

MWX701 PCB Spring Type Terminal Block

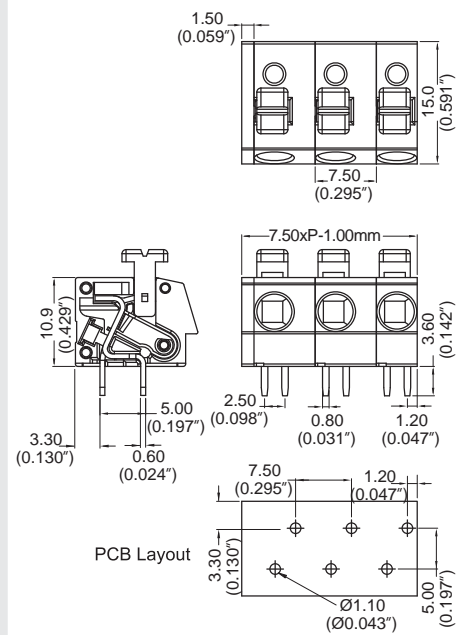
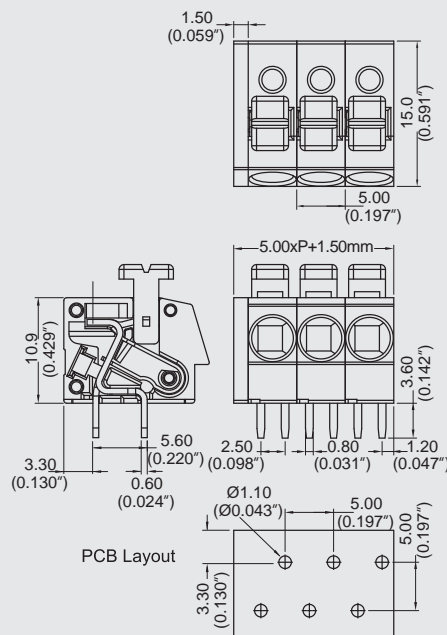


DIMENSIONS/POSITIONS

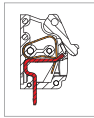
DIMENSIONS/POSITIONS		MWX701-500	MWX701-750
間距	Pitch	5.00mm	7.50mm
位數	Poles	2 ~ 24Poles	2 ~ 24Poles
塑膠本體	Housing Material	PA 66	PA 66
端蓋	Cover	PA 66	PA 66
中柱	Lever	PC	PC
端子	Contact	Brass, Tin Plated	Brass, Tin Plated
彈片	Spring	Stainless Strip Steel	Stainless Strip Steel
電線線徑	Wire Size	12 ~ 24AWG	12 ~ 24AWG
剝線長度	Wire Strip Length	10mm ~ 11mm	10mm ~ 11mm
PCB孔徑	PCB Hole Diameter	1.1mm	1.1mm
環境作業溫度	Operating Temperature	-40°C to +105°C	-40°C to +105°C

TECHNICAL DATA

連接符合標準 Connection in acc. with standard EN-VDE			
額定電流 I _n	Nominal Current I _n	24A	24A
額定橫截面	Nominal Cross Section	2.5mm ²	2.5mm ²
最大負載電流	Maximum load current	24A	24A
絕緣材料	Insulating Material	PA	PA
阻燃等級,符合UL94 Inflammability class acc. to UL94		V0	V0
額定電壓,UL/CUL Nominal voltage, UL/CUL		300V	300V
額定電流,UL/CUL Nominal current, UL/CUL		16A	16A



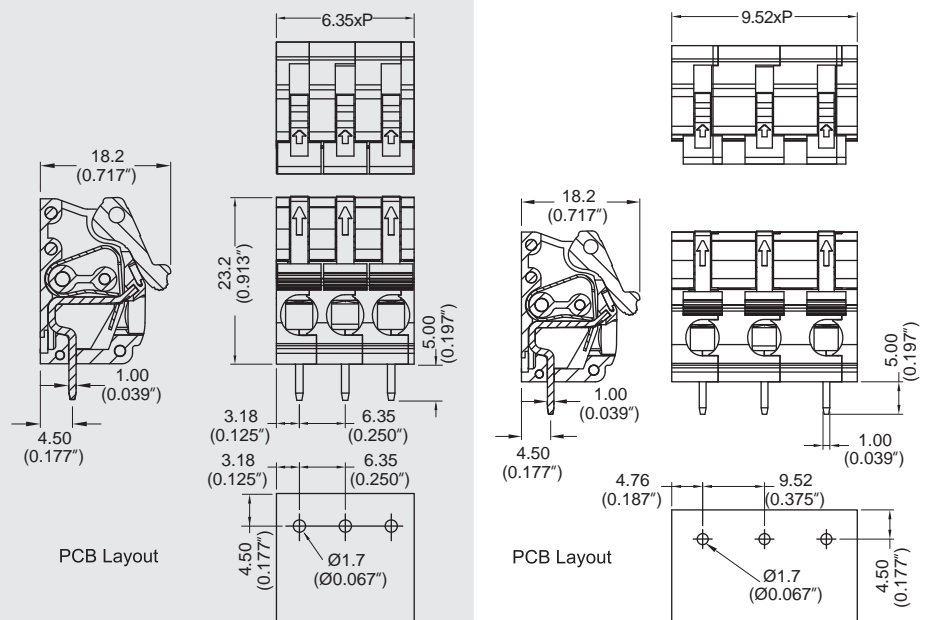
MWX801 PCB Spring Type Terminal Block



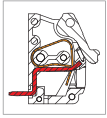
DIMENSIONS/POSITIONS		MWX801-635M	MWX801-952M
間距	Pitch	6.35mm	9.52mm
位數	Poles	2 ~ 24Poles	2 ~ 24Poles
塑膠本體	Housing Material	PA 66	PA 66
側蓋	Cover	PA 66	PA 66
中柱	Lever	PA 66	PA 66
端子	Contact	Copper, Tin Plated	Copper, Tin Plated
彈片	Spring	Stainless Strip Steel	Stainless Strip Steel
電線線徑	Wire Size	10 ~ 20AWG	10 ~ 20AWG
剝線長度	Wire Strip Length	11mm	11mm
PCB孔徑	PCB Hole Diameter	1.7mm	1.7mm
環境作業溫度	Operating Temperature	-40°C to +105°C	-40°C to +105°C

TECHNICAL DATA

連接符合標準 Connection in acc. with standard EN-VDE			
額定電流 I_n	Nominal Current I_n	25A	25A
額定橫截面	Nominal Cross Section	-	-
最大負載電流	Maximum load current	25A	25A
絕緣材料	Insulating Material	PA	PA
阻燃等級,符合UL94 Inflammability class acc. to UL94		V0	V0
額定電壓,UL/CUL Nominal voltage, UL/CUL		300V	300V
額定電流,UL/CUL Nominal current, UL/CUL		25A	25A



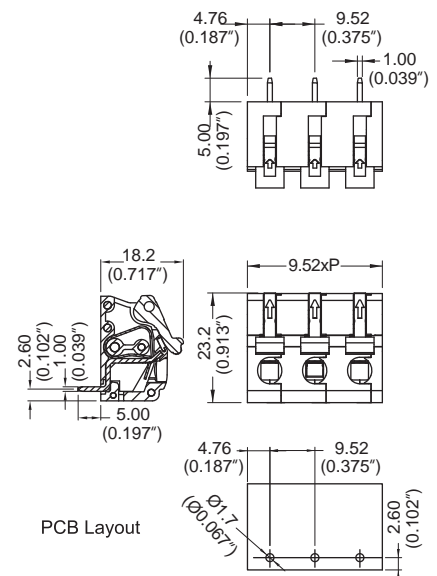
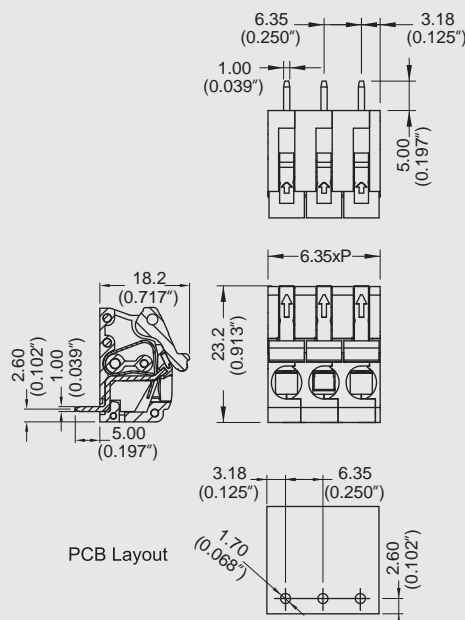
MWX804 PCB Spring Type Terminal Block



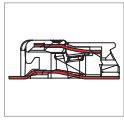
DIMENSIONS/POSITIONS		MWX804-635M	MWX804-952M
間距	Pitch	6.35mm	9.52mm
位數	Poles	2 ~ 24Poles	2 ~ 24Poles
塑膠本體	Housing Material	PA 66	PA 66
側蓋	Cover	PA 66	PA 66
中柱	Lever	PA 66	PA 66
端子	Contact	Copper, Tin Plated	Copper, Tin Plated
彈片	Spring	Stainless Strip Steel	Stainless Strip Steel
電線線徑	Wire Size	10 ~ 20AWG	10 ~ 20AWG
剝線長度	Wire Strip Length	11mm	11mm
PCB孔徑	PCB Hole Diameter	1.7mm	1.7mm
環境作業溫度	Operating Temperature	-40°C to +105°C	-40°C to +105°C

TECHNICAL DATA

連接符合標準 Connection in acc. with standard EN-VDE			
額定電流 I _n	Nominal Current I _n	25A	25A
額定橫截面	Nominal Cross Section	-	-
最大負載電流	Maximum load current	25A	25A
絕緣材料	Insulating Material	PA	PA
阻燃等級,符合UL94 Inflammability class acc. to UL94		V0	V0
額定電壓,UL/CUL Nominal voltage, UL/CUL		300V	300V
額定電流,UL/CUL Nominal current, UL/CUL		25A	25A



MWX901 SMD Terminal Blocks

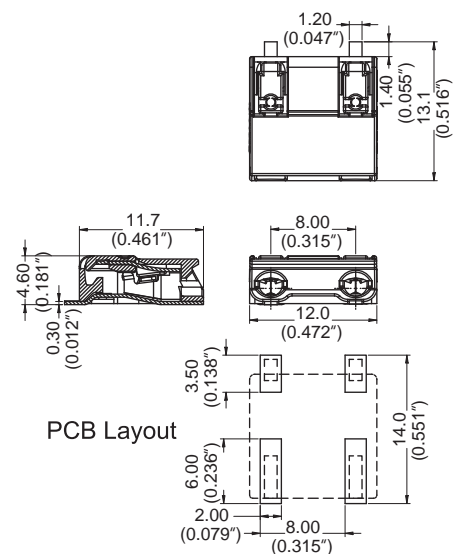
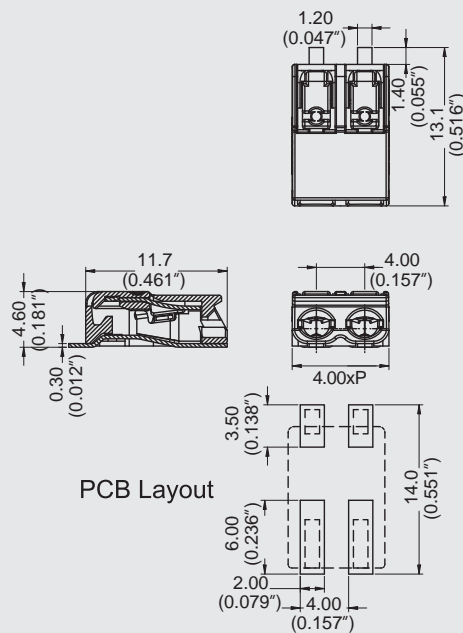


DIMENSIONS/POSITIONS

DIMENSIONS/POSITIONS		MWX901-400	MWX901-800
間距	Pitch	4.00mm	8.00mm
位數	Poles	1 ~ 3Poles	2Poles
塑膠本體	Housing Material	PPA-GF	PPA-GF
端子	Contact	Copper alloy, Tin Plated	Copper alloy, Tin Plated
電線線徑	Wire Size	18 ~ 24AWG	18 ~ 24AWG
剝線長度	Wire Strip Length	8mm ~ 9mm	8mm ~ 9mm
裸線長度	Stripping length	8 ~ 9mm	8 ~ 9mm
環境作業溫度	Operating Temperature	-60°C to +105°C	-60°C to +105°C

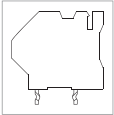
TECHNICAL DATA

連接符合標準 Connection in acc. with standard EN-VDE			
額定電流 I _n	Nominal Current I _n	9A	9A
額定橫截面	Nominal Cross Section	-	-
最大負載電流	Maximum load current	9A	9A
絕緣材料	Insulating Material	PPA-GF	PPA-GF
阻燃等級,符合UL94 Inflammability class acc. to UL94		V0	V0
額定電壓,UL/CUL Nominal voltage, UL/CUL		250V	600V
額定電流,UL/CUL Nominal current, UL/CUL		9A	9A



MWX

MWXB00 Spring Type Terminal Block



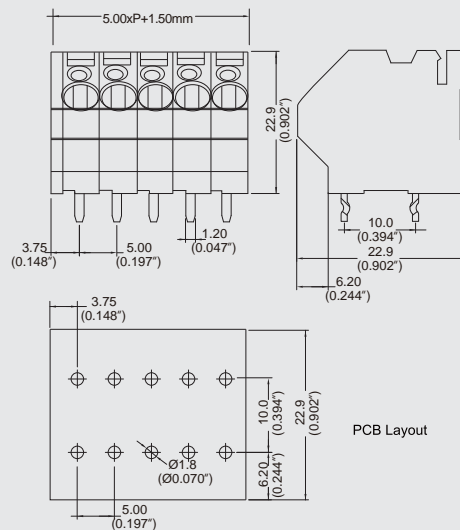
DIMENSIONS/POSITIONS

MWXB00-500

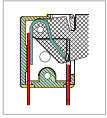
間距	Pitch	5.00mm
位數	Poles	2 ~ 12Poles
塑膠本體	Housing Material	PA 66
端子	Contact	Copper, Tin Plated
電線線徑	Wire Size	12 ~ 28AWG
裸線長度	Stripping length	1.8mm
環境作業溫度	Operating Temperature	-40°C to +105°C

TECHNICAL DATA

連接符合標準 Connection in acc. with standard EN-VDE		
額定電流 I_n	Nominal Current I_n	15A
額定橫截面	Nominal Cross Section	-
最大負載電流	Maximum load current	15A
絕緣材料	Insulating Material	PA 66
阻燃等級,符合UL94 Inflammability class acc. to UL94		V0
額定電壓,UL/CUL Nominal voltage, UL/CUL		300V
額定電流,UL/CUL Nominal current, UL/CUL		15A



MX122 PCB Spring Type Terminal Block



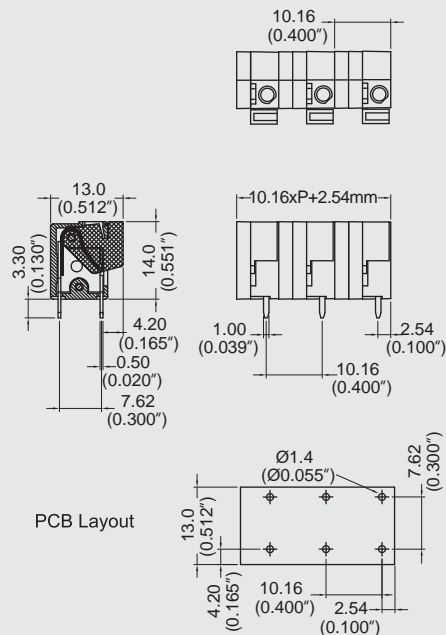
DIMENSIONS/POSITIONS

MX122-016

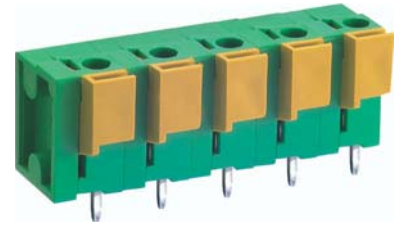
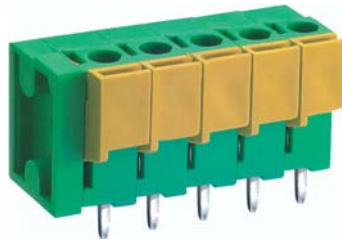
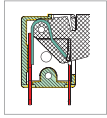
間距	Pitch	10.16mm
位數	Poles	2 ~ 16Poles
塑膠本體	Housing Material	PA 66
端蓋	Cover	PA 66
端子	Contact	Brass, Tin Plated
彈片	Spring	Stainless Strip Steel
電線線徑	Wire Size	14 ~ 24AWG
剝線長度	Wire Strip Length	10mm
PCB孔徑	PCB Hole Diameter	1.4mm
環境作業溫度	Operating Temperature	-40°C to +105°C

TECHNICAL DATA

連接符合標準 Connection in acc. with standard EN-VDE		
額定電流 I_n	Nominal Current I_n	10A
額定橫截面	Nominal Cross Section	2.5mm ²
最大負載電流	Maximum load current	16A
絕緣材料	Insulating Material	PA
阻燃等級,符合UL94 Inflammability class acc. to UL94		V0
額定電壓,UL/CUL Nominal voltage, UL/CUL		300V
額定電流,UL/CUL Nominal current, UL/CUL		10A



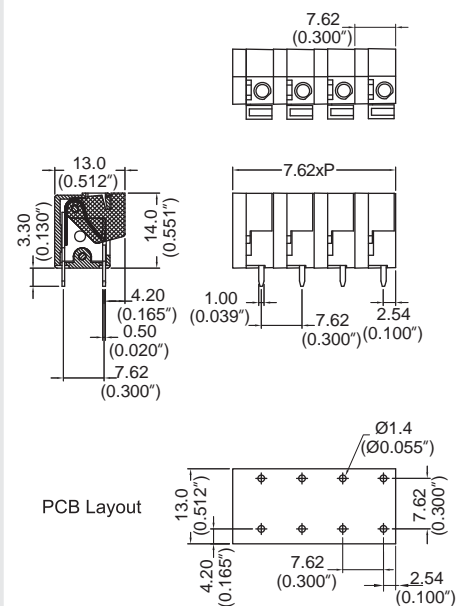
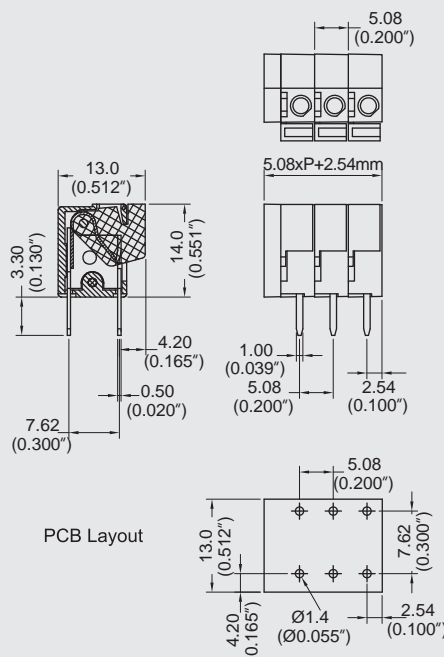
MX122 PCB Spring Type Terminal Block



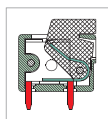
DIMENSIONS/POSITIONS		MX122-508	MX122-762
間距	Pitch	5.08mm	7.62mm
位數	Poles	2 ~ 24Poles	2 ~ 16Poles
塑膠本體	Housing Material	PA 66	PA 66
端蓋	Cover	PA 66	PA 66
端子	Contact	Brass, Tin Plated	Brass, Tin Plated
彈片	Spring	Stainless Strip Steel	Stainless Strip Steel
電線線徑	Wire Size	14 ~ 24AWG	14 ~ 24AWG
剝線長度	Wire Strip Length	10mm	10mm
PCB孔徑	PCB Hole Diameter	1.4mm	1.4mm
環境作業溫度	Operating Temperature	-40°C to +105°C	-40°C to +105°C

TECHNICAL DATA

連接符合標準 Connection in acc. with standard EN-VDE			
額定電流 I _n	Nominal Current I _n	10A	10A
額定橫截面	Nominal Cross Section	2.5mm ²	2.5mm ²
最大負載電流	Maximum load current	16A	16A
絕緣材料	Insulating Material	PA	PA
阻燃等級,符合UL94 Inflammability class acc. to UL94		V0	V0
額定電壓,UL/CUL Nominal voltage, UL/CUL		300V	300V
額定電流,UL/CUL Nominal current, UL/CUL		10A	10A



MX222 PCB Spring Type Terminal Block



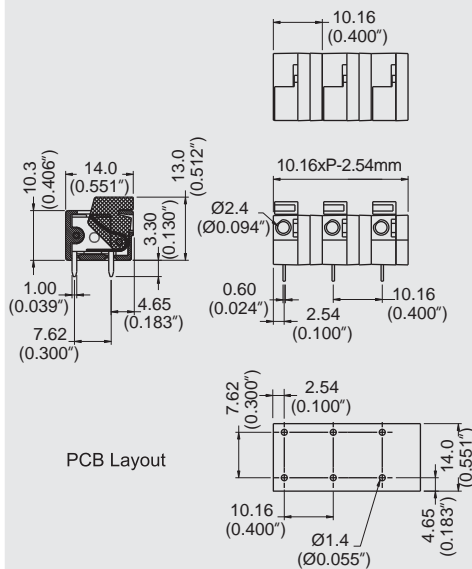
DIMENSIONS/POSITIONS

MX222-016

間距	Pitch	10.16mm
位數	Poles	2 ~ 16Poles
塑膠本體	Housing Material	PA 66
端蓋	Cover	PA 66
端子	Contact	Brass, Tin Plated
彈片	Spring	Stainless Strip Steel
電線線徑	Wire Size	14 ~ 24AWG
剝線長度	Wire Strip Length	10mm
PCB孔徑	PCB Hole Diameter	1.4mm
環境作業溫度	Operating Temperature	-40°C to +105°C

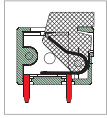
TECHNICAL DATA

連接符合標準 Connection in acc. with standard EN-VDE		
額定電流 I_n	Nominal Current I_n	16A
額定橫截面	Nominal Cross Section	2.5mm ²
最大負載電流	Maximum load current	16A
絕緣材料	Insulating Material	PA
阻燃等級,符合UL94 Inflammability class acc. to UL94		V0
額定電壓,UL/CUL Nominal voltage, UL/CUL		300V
額定電流,UL/CUL Nominal current, UL/CUL		10A



PCB Layout

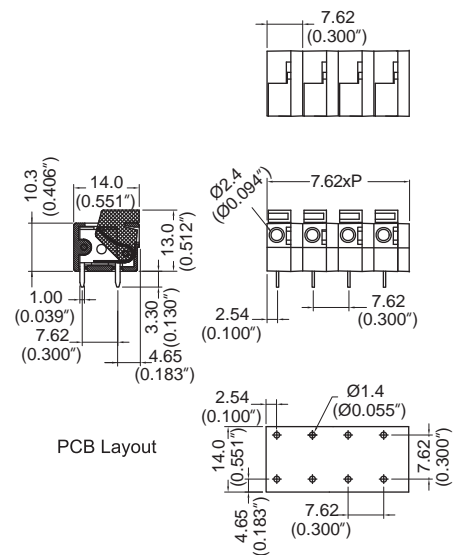
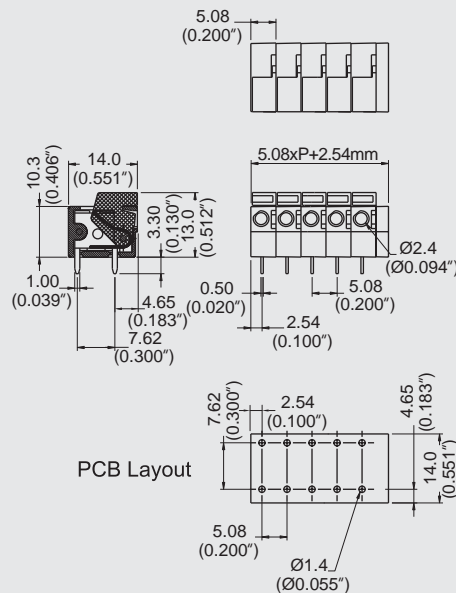
MX222 PCB Spring Type Terminal Block



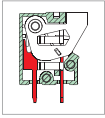
DIMENSIONS/POSITIONS		MX222-508	MX222-762
間距	Pitch	5.08mm	7.62mm
位數	Poles	2 ~ 24Poles	2 ~ 24Poles
塑膠本體	Housing Material	PA 66	PA 66
端蓋	Cover	PA 66	PA 66
端子	Contact	Brass, Tin Plated	Brass, Tin Plated
彈片	Spring	Stainless Strip Steel	Stainless Strip Steel
電線線徑	Wire Size	14 ~ 24AWG	14 ~ 24AWG
剝線長度	Wire Strip Length	10mm	10mm
PCB孔徑	PCB Hole Diameter	1.4mm	1.4mm
環境作業溫度	Operating Temperature	-40°C to +105°C	-40°C to +105°C

TECHNICAL DATA

連接符合標準 Connection in acc. with standard EN-VDE			
額定電流 I _n	Nominal Current I _n	16A	16A
額定橫截面	Nominal Cross Section	2.5mm ²	2.5mm ²
最大負載電流	Maximum load current	16A	16A
絕緣材料	Insulating Material	PA	PA
阻燃等級,符合UL94 Inflammability class acc. to UL94		V0	V0
額定電壓,UL/CUL Nominal voltage, UL/CUL		300V	300V
額定電流,UL/CUL Nominal current, UL/CUL		10A	10A



MX322 PCB Spring Type Terminal Block



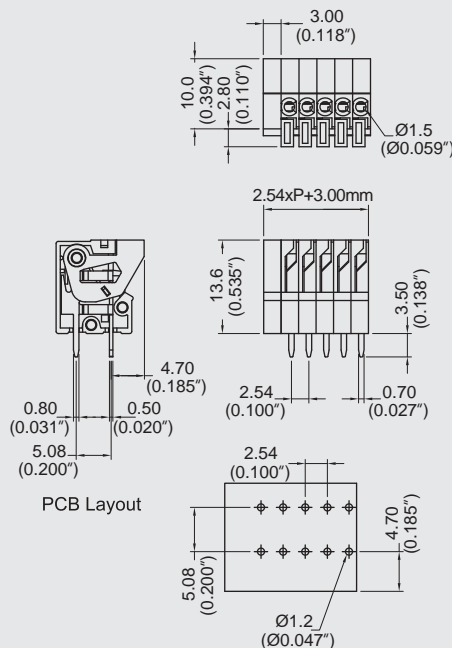
DIMENSIONS/POSITIONS

MX322-254

間距	Pitch	2.54mm
位數	Poles	2 ~ 24Poles
塑膠本體	Housing Material	PA 66
端蓋	Cover	PA 66
端子	Contact	Brass, Tin Plated
彈片	Spring	Stainless Strip Steel
電線線徑	Wire Size	20 ~ 26AWG
剝線長度	Wire Strip Length	11mm
PCB孔徑	PCB Hole Diameter	1.2mm
環境作業溫度	Operating Temperature	-40°C to +105°C

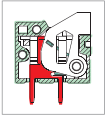
TECHNICAL DATA

連接符合標準 Connection in acc. with standard EN-VDE		
額定電流 I _n	Nominal Current I _n	6A
額定橫截面	Nominal Cross Section	-
最大負載電流	Maximum load current	6A
絕緣材料	Insulating Material	PA
阻燃等級,符合UL94 Inflammability class acc. to UL94		V0
額定電壓,UL/CUL Nominal voltage, UL/CUL		150V
額定電流,UL/CUL Nominal current, UL/CUL		6A



MX

MX422 PCB Spring Type Terminal Block



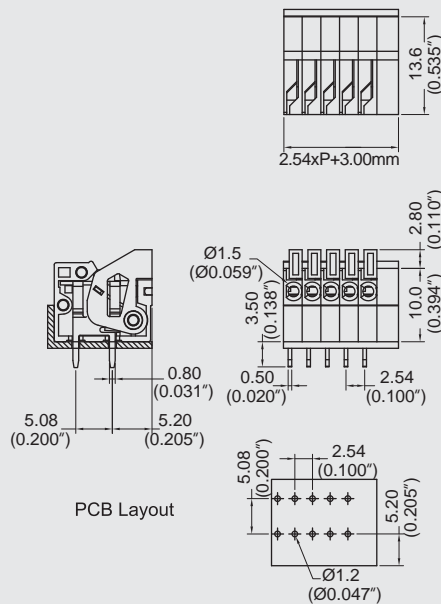
DIMENSIONS/POSITIONS

MX422-254

間距	Pitch	2.54mm
位數	Poles	2 ~ 24Poles
塑膠本體	Housing Material	PA 66
端蓋	Cover	PA 66
端子	Contact	Brass, Tin Plated
彈片	Spring	Stainless Strip Steel
電線線徑	Wire Size	20 ~ 26AWG
剝線長度	Wire Strip Length	11mm
PCB孔徑	PCB Hole Diameter	1.2mm
環境作業溫度	Operating Temperature	-40°C to +105°C

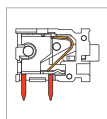
TECHNICAL DATA

連接符合標準 Connection in acc. with standard EN-VDE		
額定電流 I _n	Nominal Current I _n	6A
額定橫截面	Nominal Cross Section	-
最大負載電流	Maximum load current	6A
絕緣材料	Insulating Material	PA
阻燃等級,符合UL94 Inflammability class acc. to UL94		V0
額定電壓,UL/CUL Nominal voltage, UL/CUL		150V
額定電流,UL/CUL Nominal current, UL/CUL		6A



PCB Layout

MX432 PCB Spring Type Terminal Block



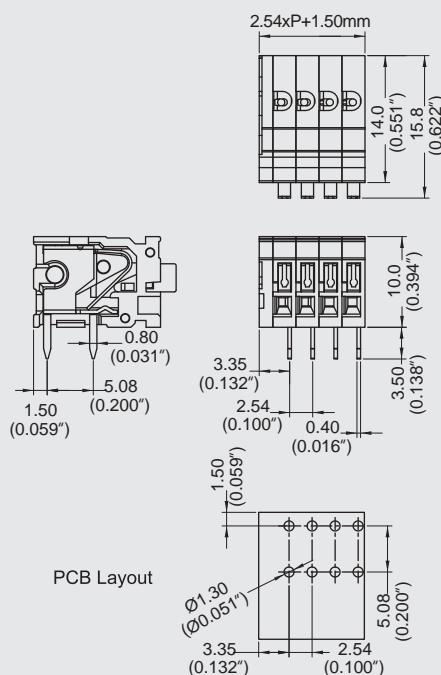
DIMENSIONS/POSITIONS

MX432-254

間距	Pitch	2.54mm
位數	Poles	2 ~ 20Poles
塑膠本體	Housing Material	PA 66
端蓋	Cover	PA 66
端子	Contact	Copper, Tin Plated
彈片	Spring	Stainless Strip Steel
電線線徑	Wire Size	20 ~ 28AWG
剝線長度	Wire Strip Length	10mm
PCB孔徑	PCB Hole Diameter	1.3mm
環境作業溫度	Operating Temperature	-40°C to +105°C

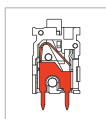
TECHNICAL DATA

連接符合標準 Connection in acc. with standard EN-VDE		
額定電流 I_n	Nominal Current I_n	5A
額定橫截面	Nominal Cross Section	-
最大負載電流	Maximum load current	5A
絕緣材料	Insulating Material	PA
阻燃等級,符合UL94 Inflammability class acc. to UL94		V0
額定電壓,UL/CUL Nominal voltage, UL/CUL		150V
額定電流,UL/CUL Nominal current, UL/CUL		5A



MX

MX442 PCB Spring Type Terminal Block



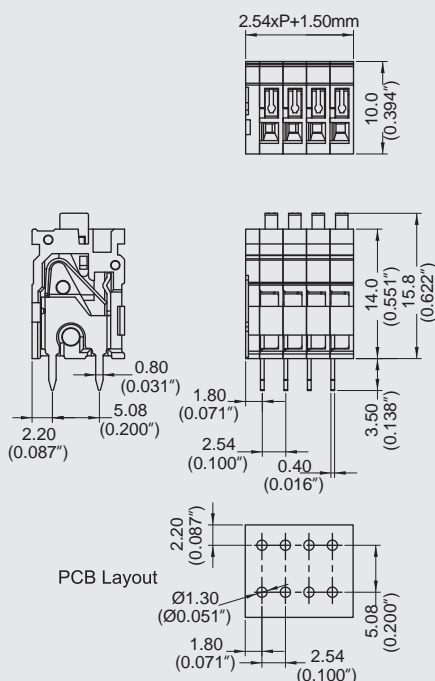
DIMENSIONS/POSITIONS

MX442-254

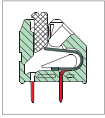
間距	Pitch	2.54mm
位數	Poles	2 ~ 20Poles
塑膠本體	Housing Material	PA 66
端蓋	Cover	PA 66
端子	Contact	Copper, Tin Plated
彈片	Spring	Stainless Strip Steel
電線線徑	Wire Size	20 ~ 28AWG
剝線長度	Wire Strip Length	10mm
PCB孔徑	PCB Hole Diameter	1.3mm
環境作業溫度	Operating Temperature	-40°C to +105°C

TECHNICAL DATA

連接符合標準 Connection in acc. with standard EN-VDE		
額定電流 I _n	Nominal Current I _n	5A
額定橫截面	Nominal Cross Section	-
最大負載電流	Maximum load current	5A
絕緣材料	Insulating Material	PA
阻燃等級,符合UL94 Inflammability class acc. to UL94		V0
額定電壓,UL/CUL Nominal voltage, UL/CUL		150V
額定電流,UL/CUL Nominal current, UL/CUL		5A



MX522 PCB Spring Type Terminal Block



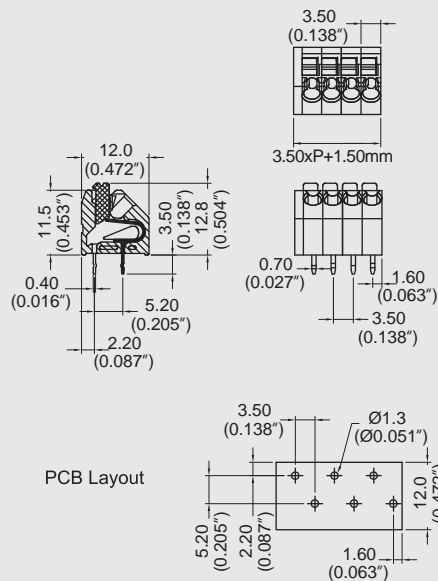
DIMENSIONS/POSITIONS

MX522-350

間距	Pitch	3.50mm
位數	Poles	2 ~ 24Poles
塑膠本體	Housing Material	PA 66
端蓋	Cover	PA 66
端子	Contact	Phosphor Bronze, Tin Plated
電線線徑	Wire Size	14 ~ 20AWG
剝線長度	Wire Strip Length	9mm
PCB孔徑	PCB Hole Diameter	1.3mm
環境作業溫度	Operating Temperature	-40°C to +105°C

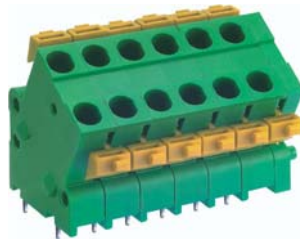
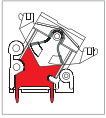
TECHNICAL DATA

連接符合標準 Connection in acc. with standard EN-VDE	
額定電流 I _n	Nominal Current I _n 2A
額定橫截面	Nominal Cross Section 0.75mm ²
最大負載電流	Maximum load current 2A
絕緣材料	Insulating Material PA
阻燃等級,符合UL94 Inflammability class acc. to UL94	V0
額定電壓,UL/CUL Nominal voltage, UL/CUL	300V
額定電流,UL/CUL Nominal current, UL/CUL	6A



MX

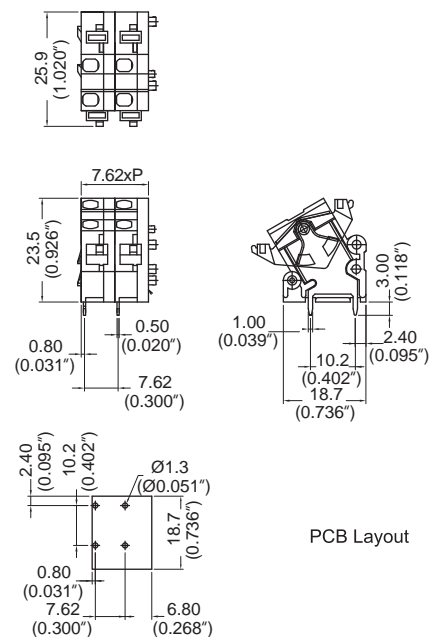
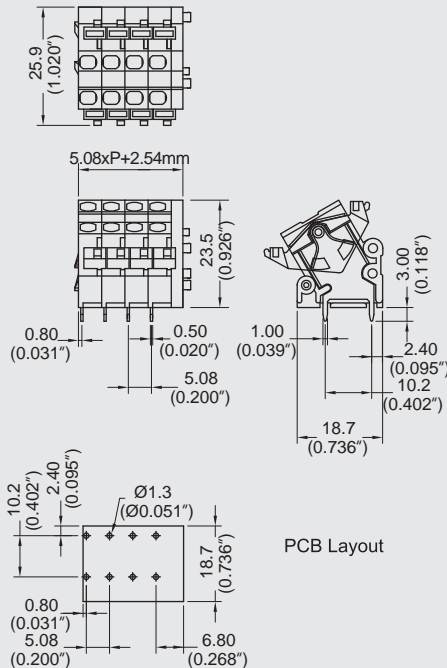
MX622 PCB Spring Type Terminal Block



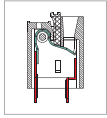
DIMENSIONS/POSITIONS		MX622-508	MX622-762
間距	Pitch	5.08mm	7.62mm
位數	Poles	2 ~ 24Poles	2 ~ 24Poles
塑膠本體	Housing Material	PA 66	PA 66
端子	Contact	Brass, Tin Plated	Brass, Tin Plated
彈片	Spring	Stainless Steel	Stainless Steel
電線線徑	Wire Size	16 ~ 22AWG	16 ~ 22AWG
剝線長度	Wire Strip Length	10mm	10mm
PCB孔徑	PCB Hole Diameter	1.3mm	1.3mm
環境作業溫度	Operating Temperature	-40°C to +105°C	-40°C to +105°C

TECHNICAL DATA

連接符合標準 Connection in acc. with standard EN-VDE			
額定電流 I _n	Nominal Current I _n	10A	10A
額定橫截面	Nominal Cross Section	-	-
最大負載電流	Maximum load current	10A	10A
絕緣材料	Insulating Material	PA	PA
阻燃等級,符合UL94 Inflammability class acc. to UL94		V0	V0
額定電壓,UL/CUL Nominal voltage, UL/CUL		300V	300V
額定電流,UL/CUL Nominal current, UL/CUL		10A	10A



MX722 PCB Spring Type Terminal Block



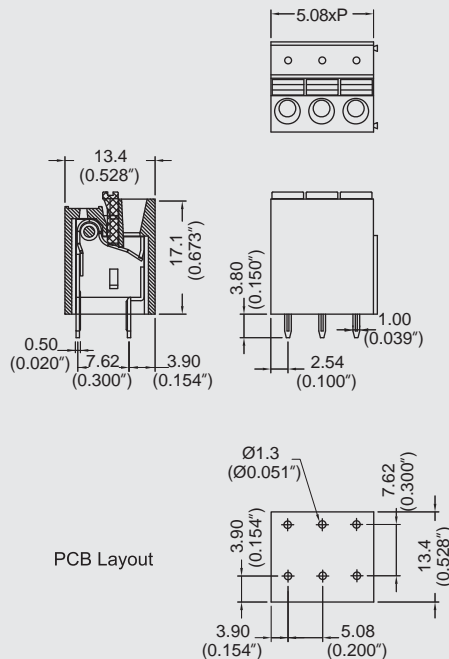
DIMENSIONS/POSITIONS

MX722-508M

間距	Pitch	5.08mm
位數	Poles	2 ~ 3Poles
塑膠本體	Housing Material	PA 66
端子	Contact	Brass, Tin Plated
彈片	Spring	Stainless Steel
電線線徑	Wire Size	16 ~ 26AWG
剝線長度	Wire Strip Length	9mm ~ 10mm
PCB孔徑	PCB Hole Diameter	1.3mm
環境作業溫度	Operating Temperature	-40° C to +105° C

TECHNICAL DATA

連接符合標準 Connection in acc. with standard EN-VDE		
額定電流 I _n	Nominal Current I _n	10A
額定橫截面	Nominal Cross Section	-
最大負載電流	Maximum load current	10A
絕緣材料	Insulating Material	PA
阻燃等級,符合UL94 Inflammability class acc. to UL94		V0
額定電壓,UL/CUL Nominal voltage, UL/CUL		300V
額定電流,UL/CUL Nominal current, UL/CUL		10A



MX

MX732 PCB Spring Type Terminal Block



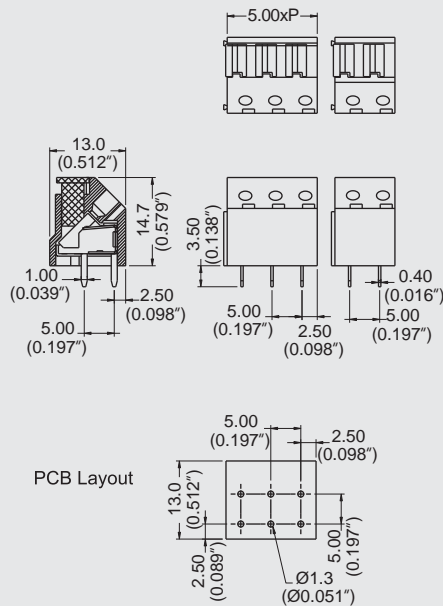
DIMENSIONS/POSITIONS

MX732-500M

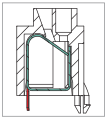
間距	Pitch	5.00mm
位數	Poles	2 ~ 3Poles
塑膠本體	Housing Material	PA 66
端子	Contact	Stainless Steel
彈片	Spring	Stainless Strip Steel
電線線徑	Wire Size	14 ~ 22AWG
剝線長度	Wire Strip Length	10mm
PCB孔徑	PCB Hole Diameter	1.3mm
環境作業溫度	Operating Temperature	-40°C to +105°C

TECHNICAL DATA

連接符合標準 Connection in acc. with standard EN-VDE		
額定電流 I _n	Nominal Current I _n	8A min
額定橫截面	Nominal Cross Section	-
最大負載電流	Maximum load current	8A min
絕緣材料	Insulating Material	PA
阻燃等級,符合UL94 Inflammability class acc. to UL94		V0
額定電壓,UL/CUL Nominal voltage, UL/CUL		300V
額定電流,UL/CUL Nominal current, UL/CUL		8A min



MX821 PCB Spring Type Terminal Block



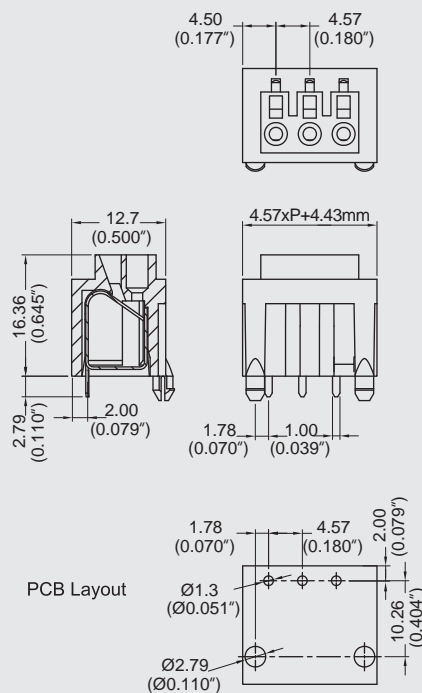
DIMENSIONS/POSITIONS

MX821-457

間距	Pitch	4.57mm
位數	Poles	2 ~ 10Poles
塑膠本體	Housing Material	PBT
端子	Contact	Phosphor Bronze, Tin plated
電線線徑	Wire Size	16 ~ 18AWG
剝線長度	Wire Strip Length	9mm ~ 10mm
PCB孔徑	PCB Hole Diameter	1.3mm
環境作業溫度	Operating Temperature	-40°C to +120°C

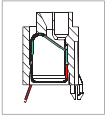
TECHNICAL DATA

連接符合標準	Connection in acc. with standard EN-VDE	
額定電流 I _n	Nominal Current I _n	9A
額定橫截面	Nominal Cross Section	-
最大負載電流	Maximum load current	9A
絕緣材料	Insulating Material	PBT
阻燃等級,符合UL94 Inflammability class acc. to UL94		V0
額定電壓,UL/CUL Nominal voltage, UL/CUL		150V
額定電流,UL/CUL Nominal current, UL/CUL		9A



MX

MX822 PCB Spring Type Terminal Block



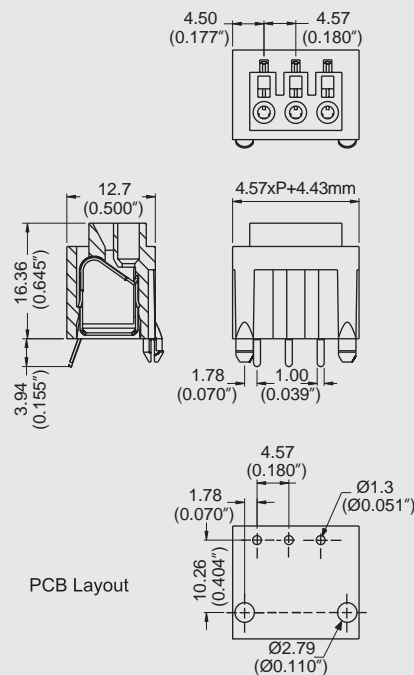
DIMENSIONS/POSITIONS

MX822-457

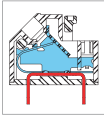
間距	Pitch	4.57mm
位數	Poles	2 ~ 10Poles
塑膠本體	Housing Material	PBT
端子	Contact	Phosphor Bronze, Tin plated
電線線徑	Wire Size	16 ~ 18AWG
剝線長度	Wire Strip Length	8mm ~ 9mm
PCB孔徑	PCB Hole Diameter	1.3mm
環境作業溫度	Operating Temperature	-40°C to +120°C

TECHNICAL DATA

連接符合標準	Connection in acc. with standard EN-VDE	
額定電流 I _n	Nominal Current I _n	9A
額定橫截面	Nominal Cross Section	-
最大負載電流	Maximum load current	9A
絕緣材料	Insulating Material	PBT
阻燃等級,符合UL94	Inflammability class acc. to UL94	V0
額定電壓,UL/CUL	Nominal voltage, UL/CUL	150V
額定電流,UL/CUL	Nominal current, UL/CUL	9A



MX832 PCB Spring Type Terminal Block

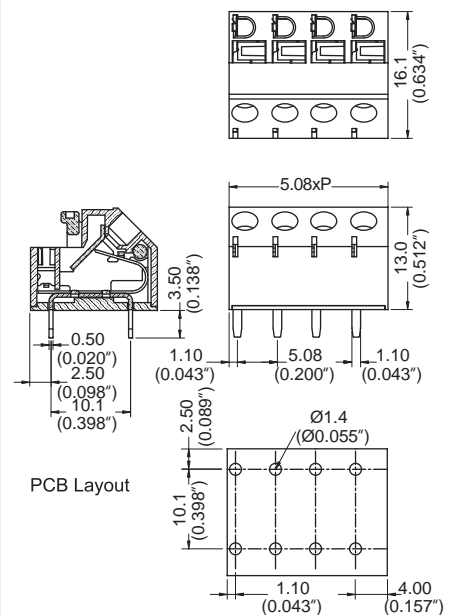
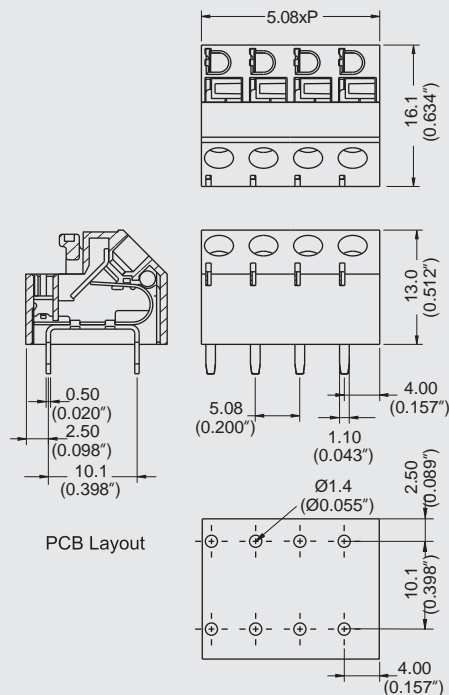


DIMENSIONS/POSITIONS

DIMENSIONS/POSITIONS		MX832-508	MX832-508..V
間距	Pitch	5.08mm	5.08mm
位數	Poles	2 ~ 24Poles	2 ~ 24Poles
塑膠本體	Housing Material	PA 66	PA 66
端子	Contact	Brass, Tin Plated	Brass, Tin Plated
彈片	Spring	Stainless Strip Steel	Stainless Strip Steel
電線線徑	Wire Size	14 ~ 20AWG	14 ~ 20AWG
剝線長度	Wire Strip Length	7mm ~ 8mm	7mm ~ 8mm
PCB孔徑	PCB Hole Diameter	1.4mm	1.4mm
環境作業溫度	Operating Temperature	-40°C to +105°C	-40°C to +105°C

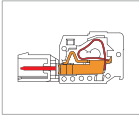
TECHNICAL DATA

連接符合標準 Connection in acc. with standard EN-VDE			
額定電流 I _n	Nominal Current I _n	12A	12A
額定橫截面	Nominal Cross Section	-	-
最大負載電流	Maximum load current	12A	12A
絕緣材料	Insulating Material	PA	PA
阻燃等級,符合UL94 Inflammability class acc. to UL94		V0	V0
額定電壓,UL/CUL Nominal voltage, UL/CUL		300V	300V
額定電流,UL/CUL Nominal current, UL/CUL		12A	12A



MX

MZ700 Connector



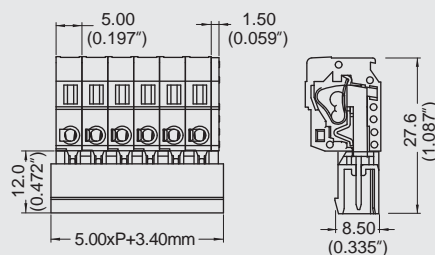
DIMENSIONS/POSITIONS

MZ700-500

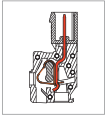
間距	Pitch	5.00mm
位數	Poles	2 ~ 24Poles
塑膠本體	Housing Material	PA 66
端子	Contact	Copper, Tin Plated
彈片	Spring	Stainless Steel
電線線徑	Wire Size	14 ~ 24AWG
剝線長度	Wire Strip Length	8mm ~ 9mm
環境作業溫度	Operating Temperature	-40°C to +105°C

TECHNICAL DATA

連接符合標準	Connection in acc. with standard EN-VDE	
額定電流 I _n	Nominal Current I _n	15A
額定橫截面	Nominal Cross Section	-
最大負載電流	Maximum load current	15A
絕緣材料	Insulating Material	PA
阻燃等級,符合UL94	Inflammability class acc. to UL94	
額定電壓,UL/CUL	Nominal voltage, UL/CUL	
額定電流,UL/CUL	Nominal current, UL/CUL	



MZ701 Connector



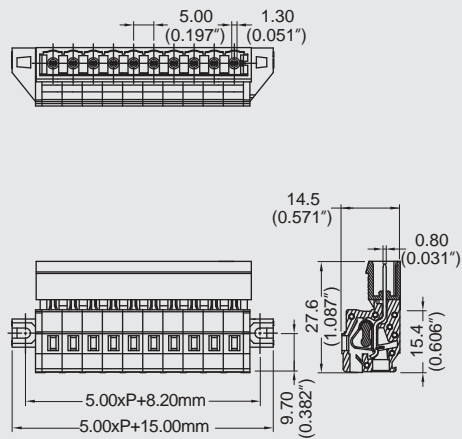
DIMENSIONS/POSITIONS

MZ701-500

間距	Pitch	5.00mm
位數	Poles	2 ~ 22Poles
塑膠本體	Housing Material	PA 66
端子	Contact	Copper, Tin Plated
彈片	Spring	Stainless Strip Steel
電線線徑	Wire Size	14 ~ 24AWG
剝線長度	Wire Strip Length	8mm ~ 9mm
環境作業溫度	Operating Temperature	-40°C to +105°C

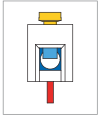
TECHNICAL DATA

連接符合標準 Connection in acc. with standard EN-VDE		
額定電流 I _n Nominal Current I _n	15A	
額定橫截面 Nominal Cross Section	-	
最大負載電流 Maximum load current	15A	
絕緣材料 Insulating Material	PA	
阻燃等級,符合UL94 Inflammability class acc. to UL94	V0	
額定電壓,UL/CUL Nominal voltage, UL/CUL	300V	
額定電流,UL/CUL Nominal current, UL/CUL	15A	



MZ

OM56001 Connector



DIMENSIONS/POSITIONS

OM56001

塑膠本體	Housing Material	PA 66
引腳尺寸	Pin Dimensions	Brass, Tin Plated
螺絲	Screws	Steel
電線線徑	Wire Size	14 ~ 22AWG
最大緊固扭矩	Tightening Torque, Max.	7.0 Lb-in
環境作業溫度	Operating Temperature	-40°C to +105°C

TECHNICAL DATA

連接符合標準	Connection in acc. with standard EN-VDE	
額定電流 I _n	Nominal Current I _n	15A
額定橫截面	Nominal Cross Section	-
最大負載電流	Maximum load current	15A
絕緣材料	Insulating Material	PA
阻燃等級,符合UL94	Inflammability class acc. to UL94	V0
額定電壓,UL/CUL	Nominal voltage, UL/CUL	250V
額定電流,UL/CUL	Nominal current, UL/CUL	15A

